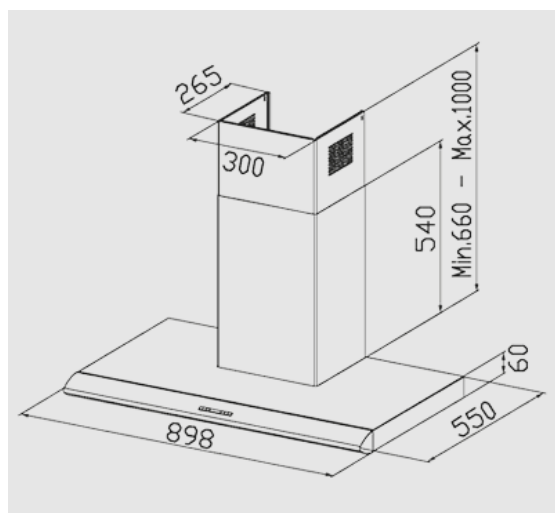


FAD906-PXS 9925114 630006071 HANDBOOK

WALL MOUNTED

UPDATED NOVEMBER 2007



CONTROL TYPE ELECTRONICS
3 SPEED + INTENSIVE
3 HALOGEN LAMPS X20 W EACH ONE
STAINLESS STEEL
CHARCOAL FILTER 9925204
OUTLET TUBE DIAMETER 150 MM - (120 MM ADAPTOR
SUPPLIED)

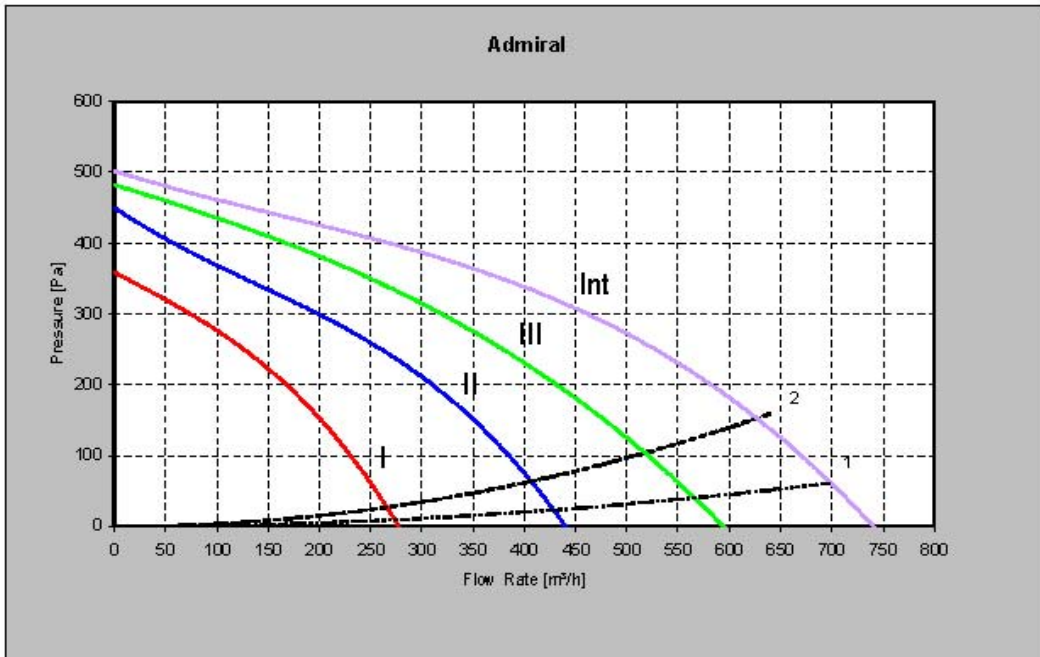
Model

Admiral

Motor: 8/40 x 80 4V
Input Voltage : 230V - 50Hz
Exit diameter: $\phi = 150\text{mm}$

Note: Speed control by μ CS Electronic; D09 Blower
1 (200 m³/h, 5 Pa) Resistance curve according to IEC 61591
2 (200 m³/h, 15 Pa) Resistance curve according to IEC 61591

SPEED	FLOW RATE	FLOW RATE	PRESSURE	POWER	SOUND POWER
	Free delivery [m ³ /h]	IEC 61591 [m ³ /h]	Maximum [Pa]	INPUT [W]	IEC 60704-2-13 [dB(A)]
I	280	270 / 260	360	135	47
II	440	430 / 410	450	170	55
III	590	570 / 520	480	215	62
Int	740	700 / 630	500	250	66





FUNCTION

T1 ON-OFF MOTOR Switches the hood motor on and off. The latest selected speed appears on the display.

T2 SPEED - Decreases the suction speed: V3 →» V2 →» V1

T3 SPEED + Increases the suction speed: V1 →» V2 →» V3

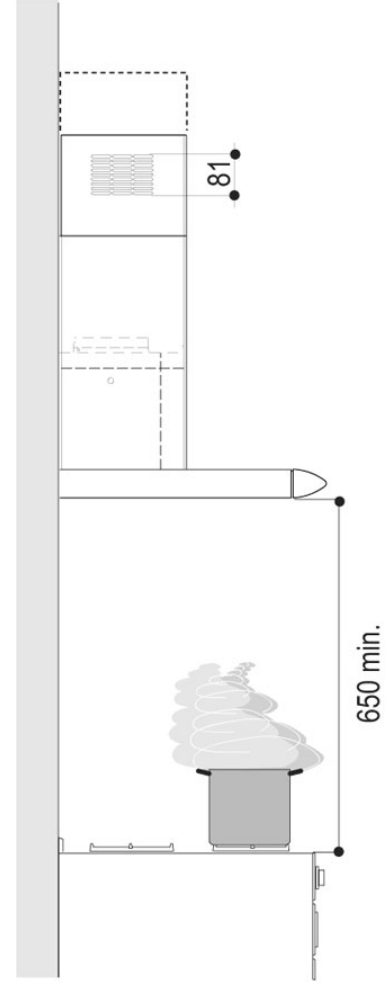
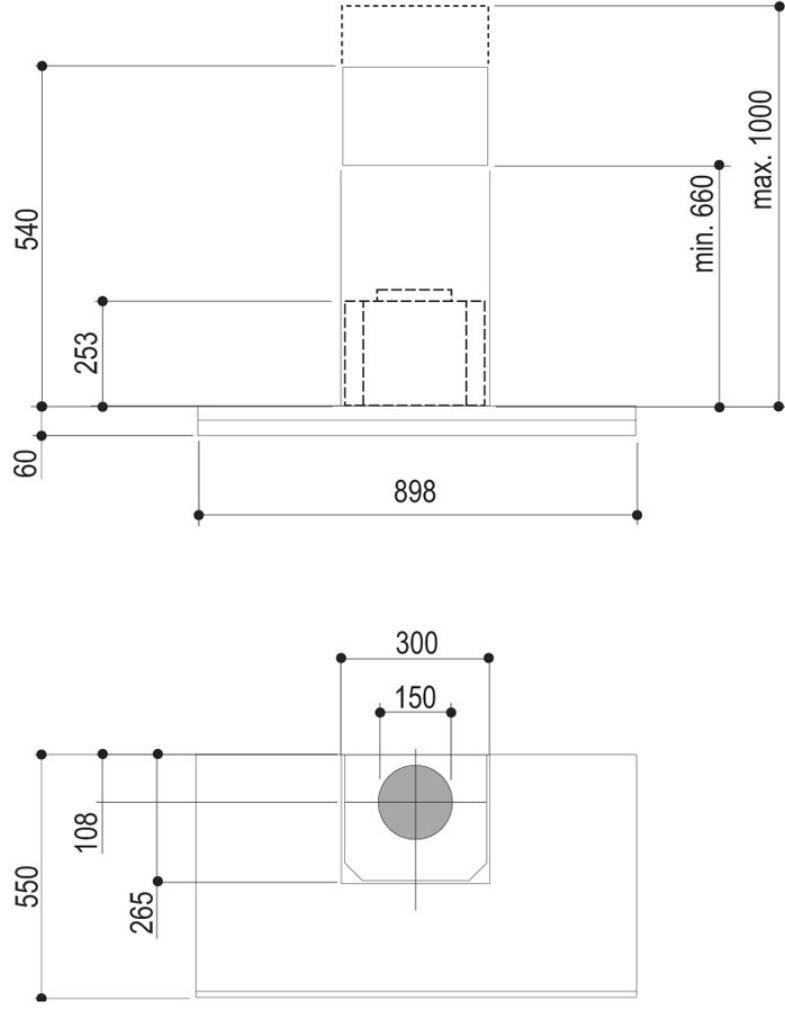
T4 INTENSIVE SPEED Activates the intensive speed from any previously selected speed. The intensive speed can be activated even when the motor is OFF. By pressing the same touch control once again or by switching off the motor this function can be deactivated.

Intensive speed cannot be activated when the delay function is on. Intensive speed has been timed at 10 minutes:

H appears on the display and a spot down on the right side flashes once a second. After 10 minutes the system activates automatically the latest selected speed.

T5 DELAY Activates and deactivates the delayed shutdown of the hood (motor + lighting) at 30 minutes: the selected speed of the hood appears on the display and a spot down on the right side flashes once a second. By pressing the same touch control once again or by switching off the motor delay function can be deactivated.

L LIGHTING Turns light on and off.

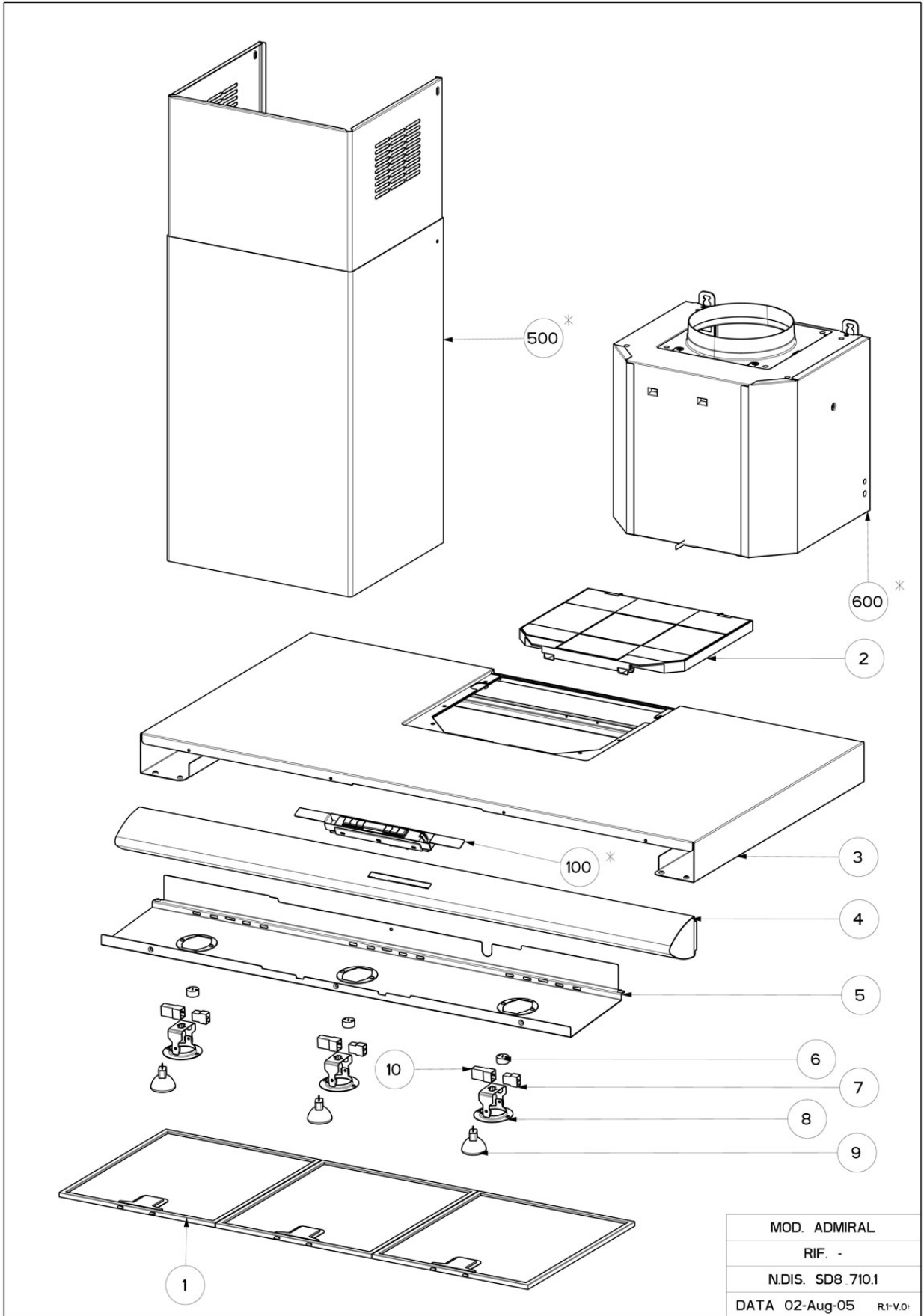


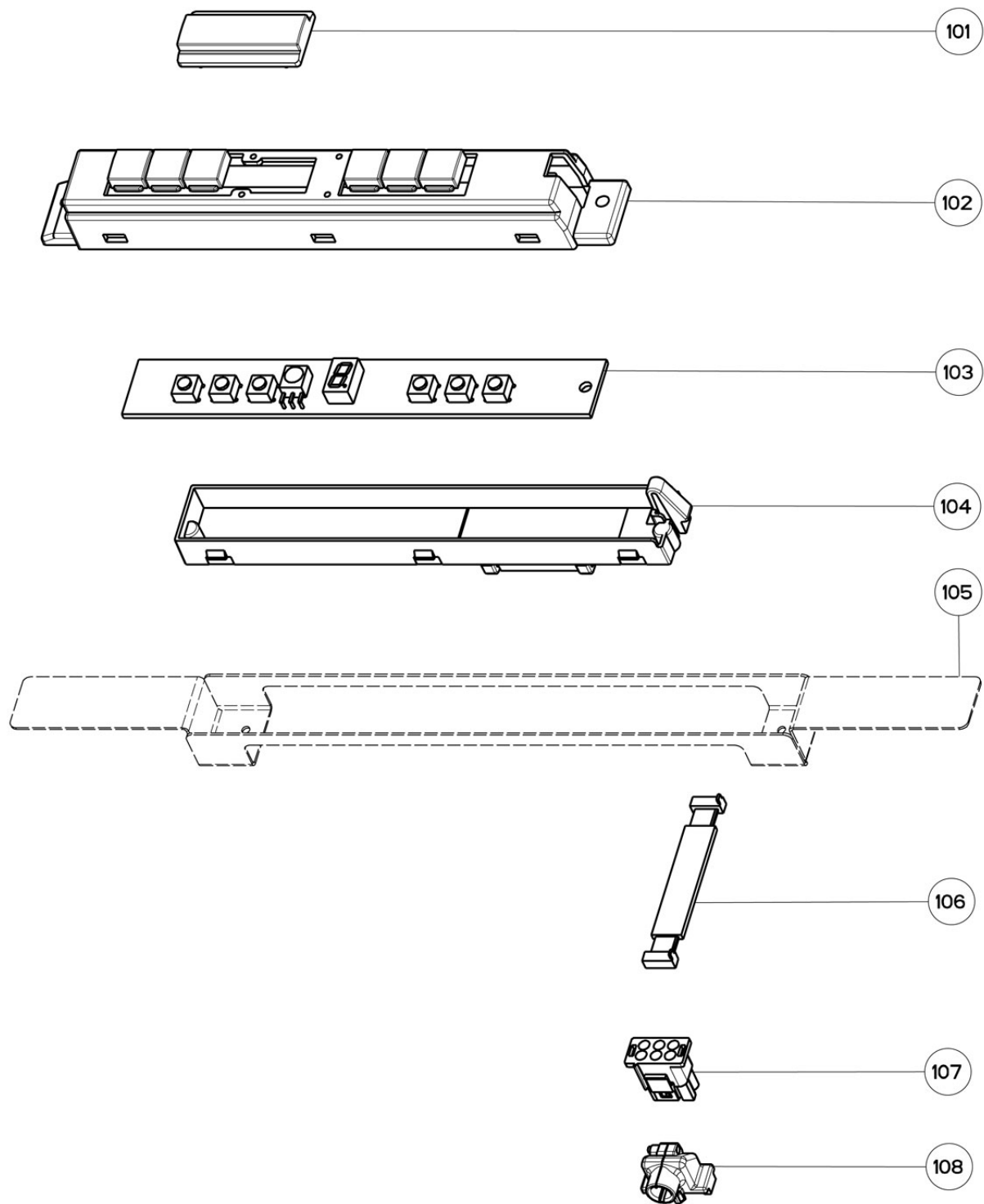
9925114 630006071 FAD906PXS

POSIZIONE POSITION	SPARE PART CODE	DESCRIPTION	DESCRIZIONE	QUANTITY
1	1960327	FILTER	FILTRO AUTOPORTANTE SIFIM X (FRANKE)	3
3	1960728	CASING ADMIRAL	SCOCCA ADMIRAL X 90	1
4	1960963	ASS.FRONTAL/CONTROL SUPP. FAD906XS	FRONTALE ASSIEMATO X 90 (RICAMBI)	1
5	1960730	SPOT LIGHTS BENT SUPPORT X 90	SUPPORTO FAR.STILO/3 X 90 PIEGATO	1
6	1960380	LAMP HOLDER	PORTALAMPADA LAMPADA ALOGENA ASS.	3
7	1960024	FEMALE PLUG BOX 2 WAYS	SCATOLA PORTAFEMMINE 2 VIE	3
8	1960379	SPOT LIGHT SUPP. X	SUPPORTO FARETTO ASS.X PIATTO	3
9	1960046	HALOGEN LAMP 12V 20W	LAMPADA ALOGENA 12V 20W - 4009228	3
10	1960025	MALE PLUG BOX 2 WAYS	SCATOLA PORTAMASCHI 2 VIE	3
100	1960712	CONTROLS ASSEMBLY	GRUPPO COM.K-CS/M-CS 6-1D ORIZ.FRANKE	1
101	1960128	GLASS CONTROL BOARD	VETRINO COMANDI FRANKE PC	1
102	1960627	CONTROL BOARD BOX -1 D.FRANKE GM S	SCATOLA COM.6-1 D.FRANKE GM S.M-CS OR	1
103	1960628	CONTROLS BOARD	SCHEDA TASTIERA 6-1 DIGIT ROSSI ORIZZ.	1
104	1960129	COVCER CONTROL BOARD PP-V2	COPERCHIO COMANDI PA 6.8 V0	1
105	1960508	CONTROLS BRACKET	STAFFA FISS.COMANDI K03/05 X PIEGATA	1
106	1960629	FLAT CONTROLS 60 6 VIE L=900	FLAT COMANDI 60 6 VIE L=900 C/CONNETTORI	1
107	1960032	CONNECTOR 9 VIE V2	CONNETTORE MASCHIO 9 VIE V2	1
108	1960104	CABLE FIXING (HI-LO)	BLOCCACAVO (HI-LO)	1
300	1961159	ASSEMBLY MOTOR M.8 800MC 220-50/60HZ CLI	GRUPPO M.8 800MC 220-50/60HZ CLI FERRITE	1
302	1961116	ROTOR MOTOR	GIRANTE PP-V2 MOT.8/40 X 80	1
303	1961115	MOTOR	MOTORE 8/40x80 K 4V 220-240V 50Hz SX	1
304	1961070	MOTOR CABLE FIXING	FERMACAVO MOTORE PP-V2	1
305	1961117	MOTOR SHOCK ABSORBER	AMMORTIZZATORE [PUFFER] MOTORE 8/40 X 80	4
307	1961073	RIGHT BLOWER	DIFFUSORE PP-V2 DX	1
308	1960164	M4 MOTOR SECURING NUT	DADO ESAGONALE ART.SERPRESS 4M ZN	4
309	1961074	BLOWER LEFT	DIFFUSORE PP-V2 SX	1
311	1960027	CONNECTOR	CONNETTORE STS 330 A1 (CLI)	1
312	1960631	CAPACITOR	CONDENSATORE 6,3MF 400V 10000 ORE	1
313	1960194	CONDENSER FIXING BRACKET	FERMACONDENSATORE	1

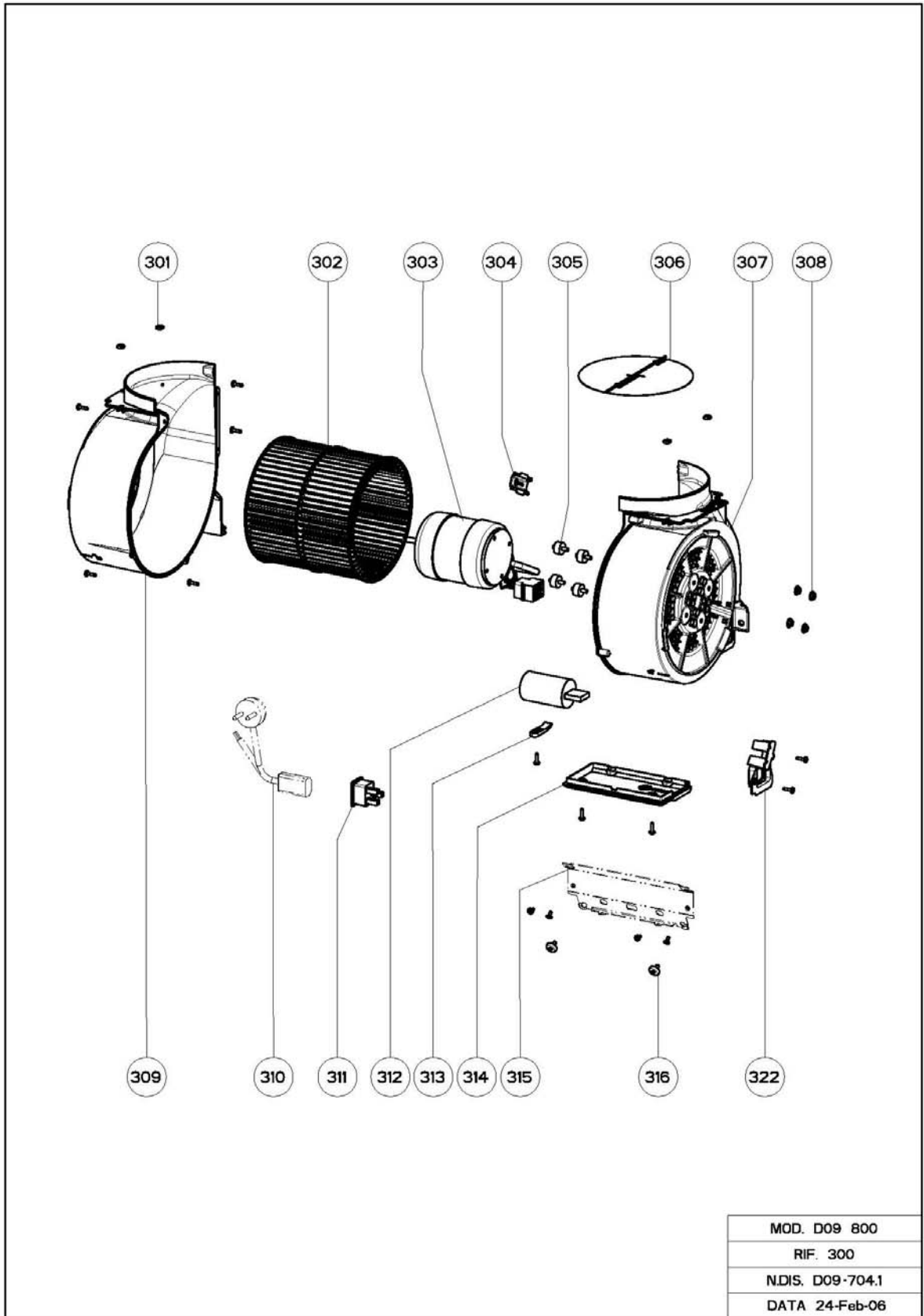
POSIZIONE POSITION	SPARE PART CODE	DESCRIPTION	DESCRIZIONE	QUANTITY
314	1961076	ELECTRIC WIRING COVER	COPERCHIO IMPIANTO ELETTRICO PP-V2	1
316	1961118	SCREW 4X9	VITE 4X9 AFLLS TMT D9 FR PZ PMT	2
322	1961077	CONNECTION SUPPORT	SUPPORTO CONNESSIONE PP-V2	1
501	1960412	UPPER CHIMNEY X F470	CAMINO SUPERIORE RETT.X F470 PIEGATO	1
502	1960566	UPPER CHIMNEY FIXING BRACKET	STAFFA FISSAGGIO CAMINO SUP.ZN PIEGATA	2
503	1961078	BENT BRACKET	SUPPORTO RACCORDO FILTRANTE ZN	1
504	1960243	FILTERING CONNECTION	RACCORDO FILTRANTE (UP) (V2)	1
505	1960171	SPACER CONNECTION FOR RECIRCULATING	DISTANZIALE RACC.FILT.DISASS.(PARETE)	2
508	1960200	SPIGOT 120-150	FLANGIA RIDUZIONE 150-120 BK	1
509	1960346	LOWER CHIMNEY	CAMINO INFERIORE RETT.X A545 S.FRANKE	1
602	1961079	BRACKET EASY CUBE	STAFFA D09 ZN EASY CUBE	1
603	1960218	PARTICULAR CABLE GUIDE	PARTICOLARE PASSACAVO (V2)	2
604	1960166	CAPTIVATED NUT 5004-A 4M	DADO IN GABBIA Q 404-08 M4	1
606	1960407	FIXING KIT	FISSAGGIO CAPP A ASSIEMATO	2
607	1960256	PLUG S8	TASSELLO S8 C FISCHER 51049	4
608	1960324	ZINC PLATED SCREW	VITE ZINCATA M4X40 TC CACC.	1
609	1960254	CABLE CLAMP D223-110	STAFFA FERMACAVO	1
610	1960148	FEEDING CABLE COVER	COPERCHIO CAVO ALIMENTAZIONE (V2)	1
613	1960239	BODY FIXING KNOB	POMELLO FISSAGGIO SCOCCA	1
614	1960318	SCREW 4,2X44	VITE 4,2X44,4 T/T F.A PM ZN	4
615	1960432	DIFFUSER SUPPORT ASS.STILO/3 ZN	SUPPORTO DIFFUSORE ASS.STILO/3 ZN	1
616	1960258	CHARCOAL FILTER COVER	TAPPO C.A. (V2)	1
617	1960014	ELECTRIC CABLE	CAVO AL.3X0,75X2100W 232+644(CONN) SP.EU	1
618	1960250	MAIN CABLE BOX	SCATOLA IMPIANTO ELETTRICO (V2)	1
619	1960634	ELECTRONIC BOARD M-CS M8 4V 220V	SCHEDA BASE M-CS M8 4V 220V 50/60HZ	1
620	1960135	MAIN CABLE BOX COVER	COPERCHIO SCATOLA IMPIANTO ELETTR.(V2)	1
624	1960022	FEMALEHOLDER BOX	SCATOLA PORTAFEMMINE 4 VIE	1
625	1960023	MALEHOLDER BOX	SCATOLA PORTAMASCHI 4 VIE	1
626	1960048	TRANSFORMER 60W 230V	TRASFORMATORE TOR.60W 230V D85-29H32 C/C	1
627	1960164	M4 MOTOR SECURING NUT	DADO ESAGONALE ART.SERPRESS 4M ZN	1
628	1960294	TOROID SUPPORT	SUPPORTO TOROIDE 40-60W (V2)	1
629	1960302	WASHER 5X34 2MM	RONDELLA D.7,5X34 SP.2 MM	1
630	1960301	NUT	DADO AD ALETTE M4	1

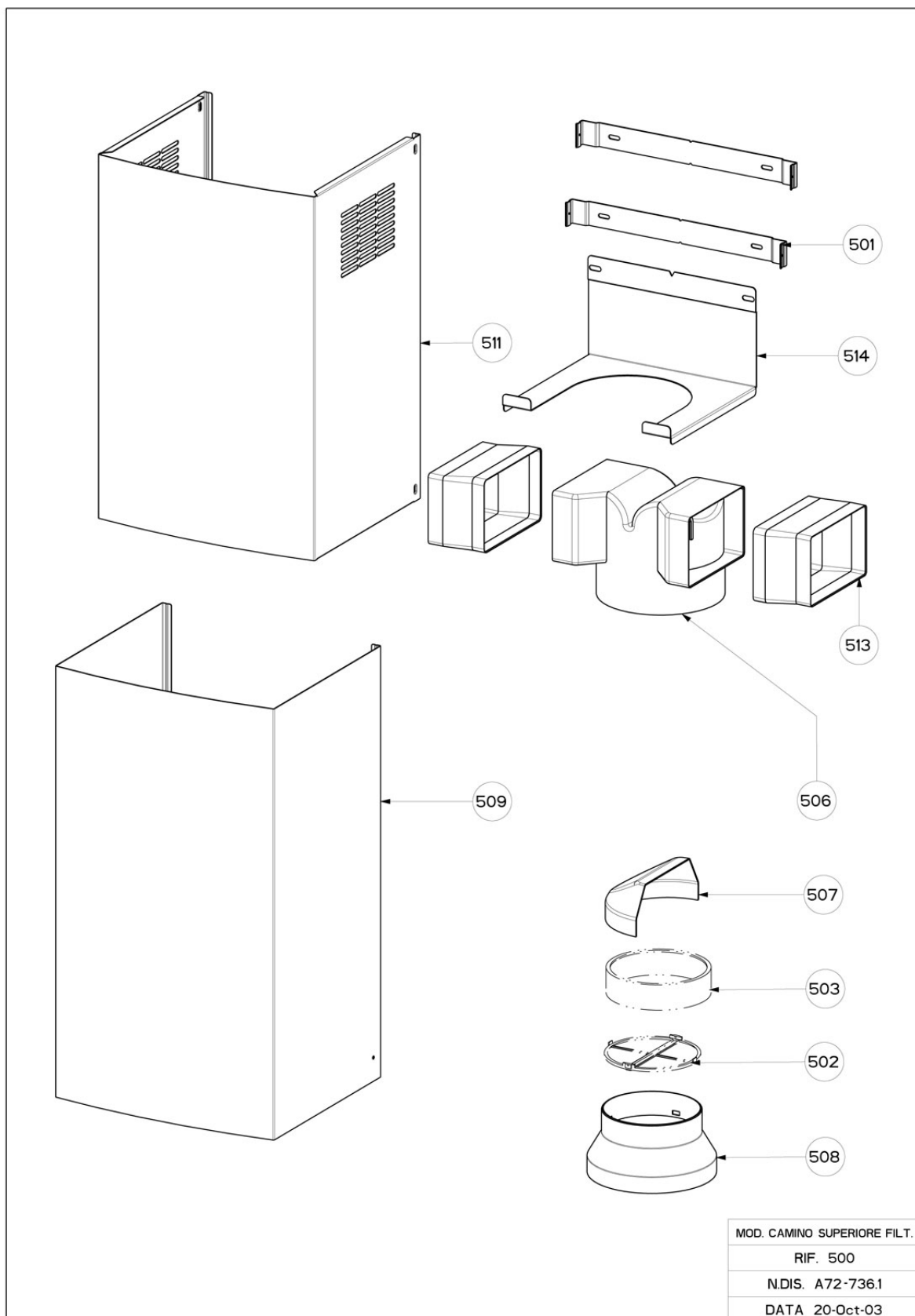
POSIZIONE POSITION	SPARE PART CODE	DESCRIPTION	DESCRIZIONE	QUANTITY
632	1960103	REFINING COVER F. EASY CUBE	TAPPO RIFINITURA PER EASY CUBE	2
633	1960224	SECURING PIN D4,6X11	CLIP D4,6X11 ART.000670111 BK	1

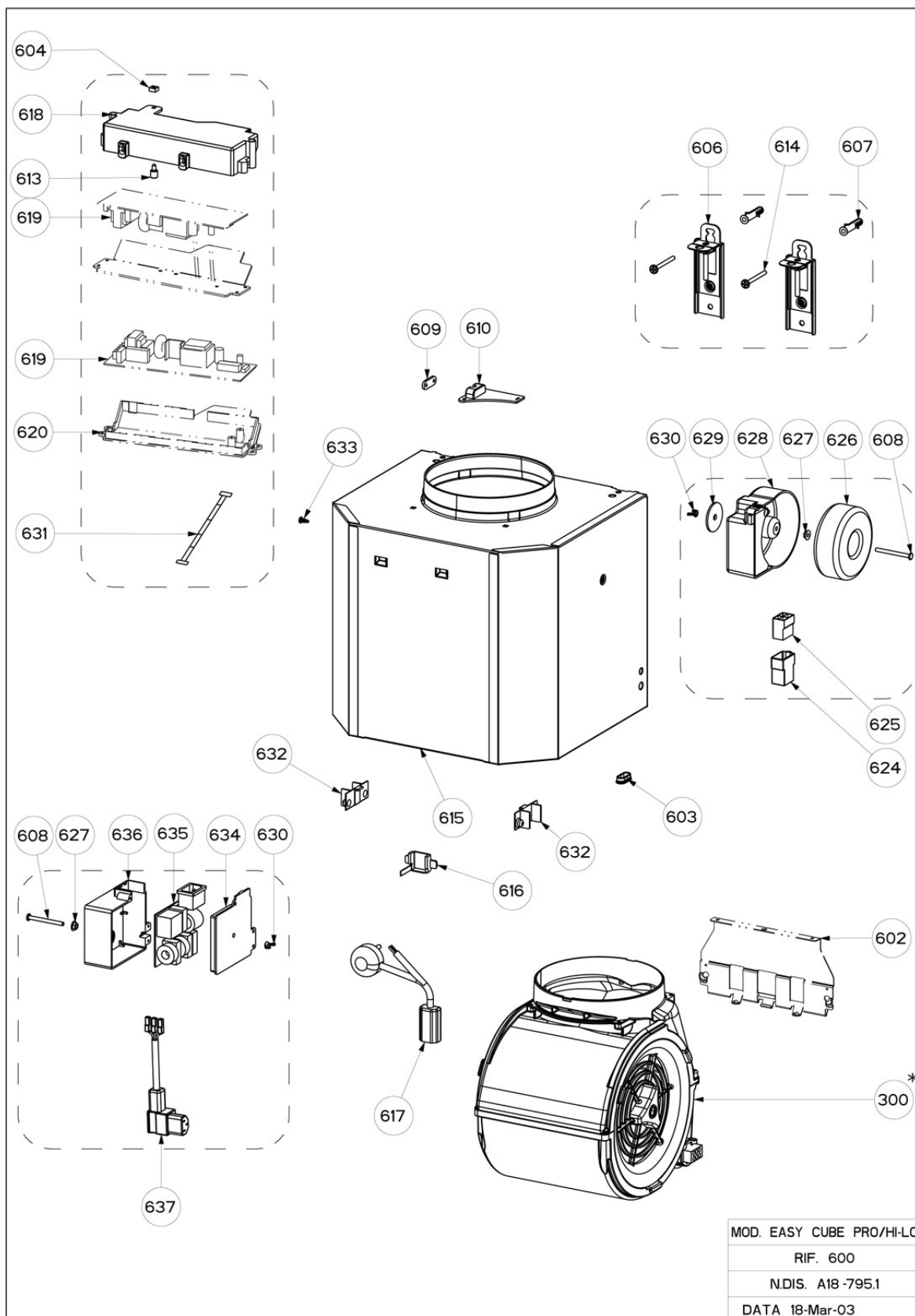




MOD. 6 TASTI 1 DGT ORIZZ.
RIF. 100
N.DIS. K03.702.1
DATA 20-Mag-05 R.I-V.5 ^a



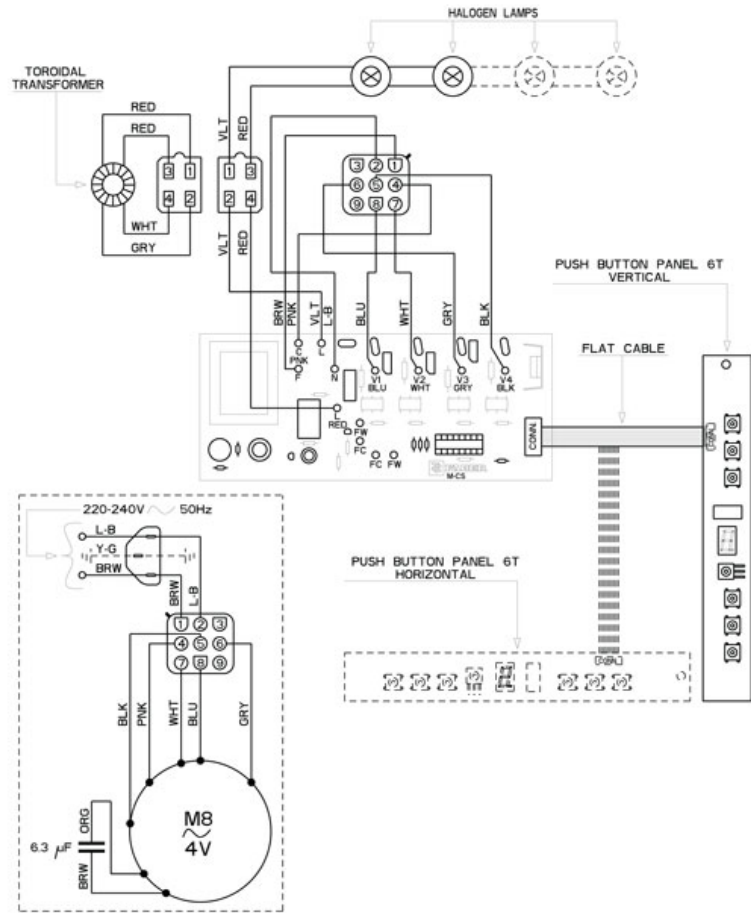




LEGENDA SCHEMA ELETTRICO

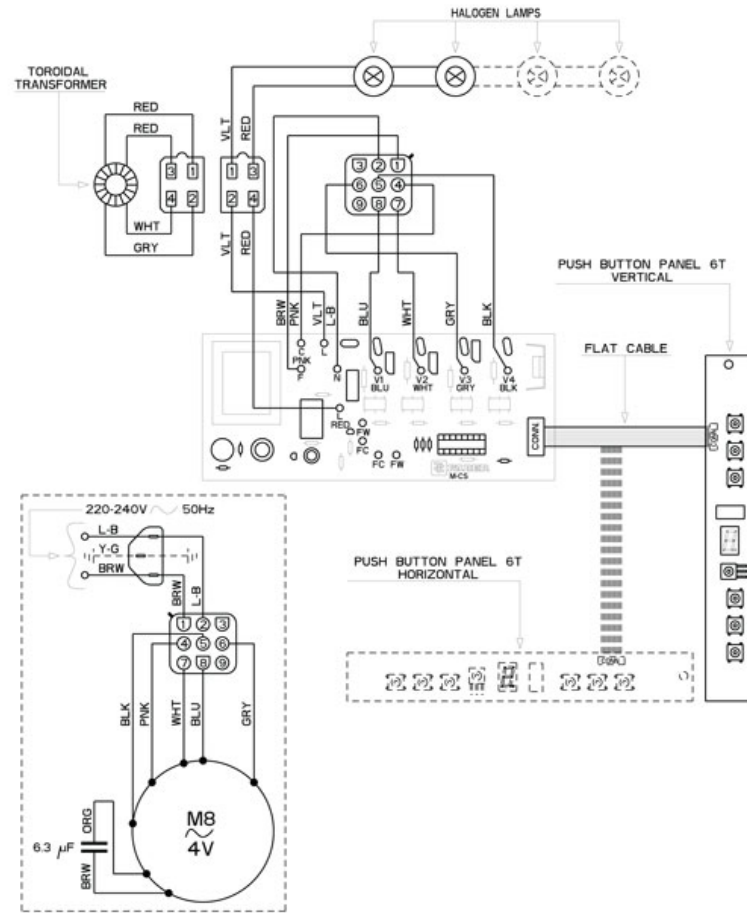
	Autotrasformatore di avviamento
	TRASFORMATORE
	Condensatore
	Connessione
	disinserire
	Lampada
	Direction Lamp
	LED
	Lampada spia
	Morsettiera
	Motore
	Micro
	potenza
	Pulsante
	Scheda
	Scheda
	Starter
	VENTOLA

- | | | | |
|-----------|-------------------|-----------|-------------------|
| I | Schema Elettrico | NL | Schema Elektrisch |
| GB | Electric Diagram | E | Esquema Eléctrico |
| F | Schéma Electrique | PT | Esquema Eléctrico |
| D | Schema Elektrisch | | |



436002935 SD8_010 r-

- | | | | |
|-----------|-------------------|-----------|-------------------|
| I | Schema Elettrico | NL | Schema Elektrisch |
| GB | Electric Diagram | E | Esquema Eléctrico |
| F | Schéma Electrique | PT | Esquema Eléctrico |
| D | Schema Elektrisch | | |



436002935 SD8_010 r-