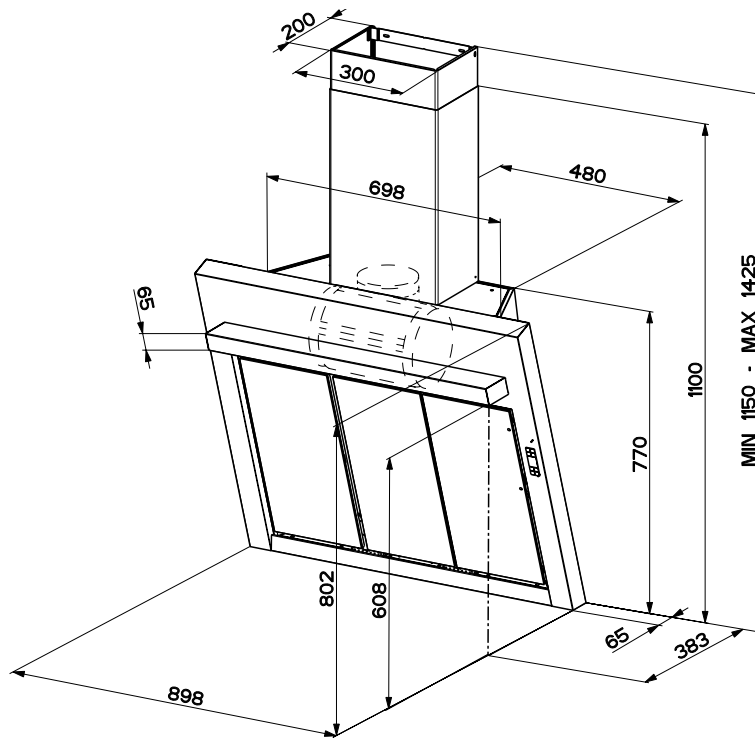


Quadra FQD 907 XS



Speed	Flow Rate	Pressure Maximum [Pa]	Power Input [W]	Sound Power
	IEC 61591 [M ³ /H] 1 2			IEC 60704-2-13 [dB(A)]
I	260/250	220	70	46
II	435/400	320	150	54
III	530/500	350	190	59
IV	620/570	370	240	62
Int	880/760	440	330	66

1 (200 m³/h, 5 Pa) Resistance curve according to IEC 61591
 2 (200 m³/h, 15 Pa) Resistance curve according to IEC 61591

Model	FQD 907 XS
Hood type	Wall
Width	90cm
Control type	Electronic
Finish	Stainless Steel
Extraction speed setting	4 + int.
Automatic cut-off timer	■
Continuous 24 hour ventilation	■
Digital Display	■
Filtering function	■
Motor	PRO
Filter type	A
Perimetric extraction	■
Easy fit	
Remote control	Optional
Filter saturation indicator	■
Illumination	Halogen 3 x 20W
Comfort light	■
Grease filter	Aluminium cassette
Outlet tube diameter	150mm (120mm adaptor supplied)