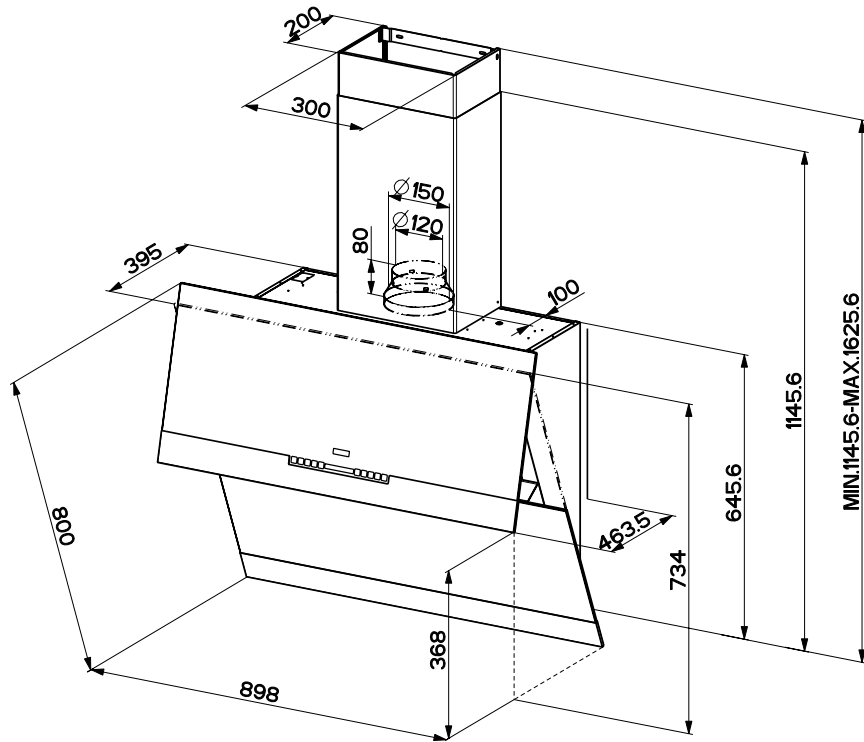


Swing FSW 908 TC BK XS



Speed	Flow Rate IEC 61591 [m ³ /h]	Pressure Maximum [Pa]	Power Input [W]	Sound Power IEC 60704-2-13 [dB(A)]
I	190/180	100	35	35
III	330/310	280	70	46
V	460/430	360	110	52
VIII	700/640	420	220	61
Int	850/740	440	330	66

1 (200 m³/h, 5 Pa) Resistance curve according to IEC 61591

2 (200 m³/h, 15 Pa) Resistance curve according to IEC 61591

Model	FSW 908 TC BK XS
Hood type	Wall
Width	90cm
Control type	Touch control
Finish	Stainless Steel/Black Glass
Extraction speed setting	8 + int.
Automatic cut-off timer	■
Continuous 24 hour ventilation	■
Digital Display	■
Filtering function	■
Motor	PRO
Filter type	A
Perimetric extraction	
Easy fit	
Remote control	Optional
Filter saturation indicator	■
Illumination	Halogen 2 x 20W
Comfort light	■
Grease filter	Aluminium cassette
Outlet tube diameter	150mm (120mm adaptor supplied)