

**HEATRAE SADIA**

The quality name in water heating

# Hand hygiene

Handy | Concept | Handy Dri 24 | Handy Dri | Hair Drier





## Hand hygiene WASHING AND DRYING

Electric hand wash units and warm air driers are a hygienic, energy-efficient and cost-effective way of providing convenient point of use hand wash facilities, and ensuring conformity with current Health and Safety legislation.

**Cost saving** instantaneous hand wash units provide an energy-efficient source of hot water for hand washing, at the point of use, where long inefficient pipe runs would otherwise be required. In addition to saving energy, the running costs of Handy and Concept are further reduced by their low water consumption.

**Hassle free hand drying solution.** Warm air driers offer the cheapest, most efficient means of drying hands. They overcome the need for continual replenishment associated with other hand drying methods whilst avoiding the annoyance of jammed roller towels, empty paper dispensers and overflowing waste bins. A wall-mounted hair drier complements this range.

**Typical applications** include offices, shops, factories, hotels, leisure facilities, restaurants, surgeries and clinics.





## Handy **NEW**

### Available from August 2008

A choice of two compact instantaneous hand wash units. Handy 3 is rated at 3.1kW, and is suitable for connection to a convenient ring final circuit while the Handy 7 is a 7.2kW unit for applications where more hot water is required. These units now incorporate additional safety devices giving users further protection from scalding.

### Single-turn rotary control dial

### 'Power On' indicator

### Durable 200mm stainless steel swivel spout

### Consistent, splash free spray pattern

### Flow/temperature stabilised for constant outlet temperature

### Two levels of over temperature protection

### Excessive pressure protection

### New model is retro-fit to previous Heatrae Sadia Handy models

### 15mm female 'Push Fit' connection to water supply

The single-turn rotary control dial is easy to operate, controlling both the temperature and flow rate of the water.

These units offer comprehensive safety protection against the dangers of both scalding and excessive pressure build-up within the unit.

**Two level cut-out.** The first level cut-out operates at 52°C and will re-set when the water has cooled down to 42°C. The second level of protection operates in extreme conditions and cuts out at 92°C and is not re-settable.

**The flow/temperature stabiliser** ensures that a consistent outlet temperature is maintained even in conditions of variable water pressure.

**The pressure relief device** ensures that in the case of freezing or blockage, pressure is not allowed to build up to

## Handy No Touch **NEW**



### Available from Autumn 2008

An instantaneous no-touch hand wash unit for a cost effective and hygienic means of providing hot water for hand washing. Simple operation with a no touch on/off control dial and tamper proof adjuster for temperature and flow control.

**Easy to use No Touch on/off dial**

**'Power On' indicator**

**Durable 200mm stainless steel swivel spout**

**Consistent, splash free spray button**

**Flow/temperature stabilised for constant outlet temperature**

**Two levels of over temperature protection**

**Excessive pressure protection**

**15mm female 'Push Fit' connection to water supply**

**No touch control dial for on/off, temperature/flow setting via a tamper proof adjuster**

**These units offer comprehensive safety protection** against the dangers of both scalding and excessive pressure build-up within the unit

**Two level cut-out.** The first level cut-out operates at 52°C and will re-set when the water has cooled down to 42°C. The second level of protection operates in extreme conditions

**The flow/temperature stabiliser** ensures that a consistent outlet temperature is maintained even in conditions of variable water pressure.

**The pressure relief device** ensures that in the case of freezing or blockage, pressure is not allowed to build up to dangerous levels within the unit.

## Concept



A unique approach to hand washing, Concept is a small efficient unit producing a powerful, yet soft and comfortable spray. A single control with three-quarter turn action, adjusts the flow of water to the spray. In addition to the standard spray head, an adjustable nozzle is supplied with each unit for use with small or corner basins.

**Distinctive, compact styling**

**Supplied with adjustable spray nozzle**

**Suits all basins including small corner units**

**Large three-quarter turn control**

**Easy-clean white thermoplastic casing**

**'Power On' neon indicator**

**Low capital and running cost**

**Suitable for connection to a ring final circuit**

**Flow/temperature stabilised for constant outlet temperature**

**Two levels of over temperature protection**

**Excessive pressure protection**

## Handy Dri 24

The Handy Dri 24 range offers hygienic 'no-touch' automatic on/off hand drying.

Its multi-directional air jet concentrates the flow of air to ensure that hands are dried comfortably, quickly and economically.

**2.4kW @ 240V for rapid hand drying**

**Tamper-proof fixings and flush wall mounting ensure maximum protection against vandalism and theft**

**Automatic on / off function controlled by infrared proximity switch for hygienic hand drying**

**Heavy duty steel housing with a choice of satin chrome, chrome or white**



## Handy Dri



The Handy Dri range consists of three models offering a choice of push-button or 'no-touch' operation and provides a comfortable balance between temperature and air flow for safe and effective drying.

**1.4kW and 1.8kW push-button operated units**

**Alternative 1.4kW 'no-touch' unit (HandyDri 14E)**

**Automatic switch-off after 30 seconds**

**14E has automatic switch-off via sensor**

**High efficiency fan and air flow system**

**Stylish, compact design**

## Hair Drier



A safe, easy to use, wall-mounted hair drier for use in hotel bedrooms, nursing homes, health clubs and sports centres. Drying time can be set from one to ten minutes with an automatic 'off' function to prevent continuous running. The timer can also be manually over-ridden to switch the drier off.

**Styling suitable for modern interiors**

**No safety hazards from plugs and cords**

**Wall-mounted for added security**

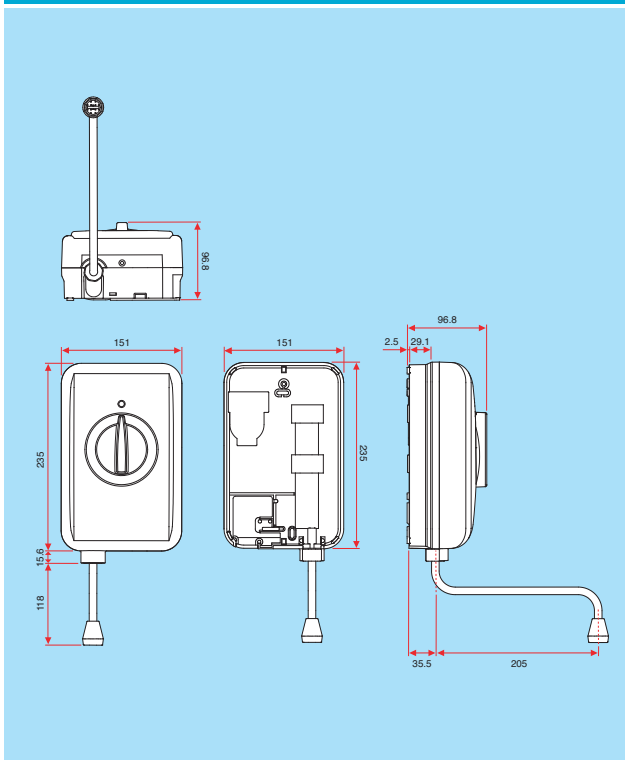
**Powerful 1kW element for fast drying**

**User-adjustable one to ten minute running time**

**1.4m flexible hose and swivel nozzle**

**Timer with automatic switch-off**

## Handy 3/7



## Specification

**Rating** Handy 3: 3.1kW @ 240V, (2.9kW @ 230V). Handy 7: 7.2kW @ 240V, (6.6kW @ 230V).

**Controls** Single-turn rotary control dial for on/off, temperature and flow setting.

**Outer casing** White moulded ABS plastic cover.

**Heat unit** Copper-sheathed rod-type element.

**Water container** Glass reinforced nylon.

**Safety features** Self re-setting thermal cut-out set at 52°C for over heat protection. Non self re-setting second stage cut-out set at 92°C. Pressure relief device in the base of the container to prevent high-pressure build-up. Flow/temperature stabiliser maintains consistent outlet temperature under variable water pressure conditions. Pressure sensor cuts off power if flow is inadequate.

**Ingress protection** IPX5.

**Approvals** BEAB and KIWA approved. Manufactured in a BS EN ISO 9001:2000 registered factory.

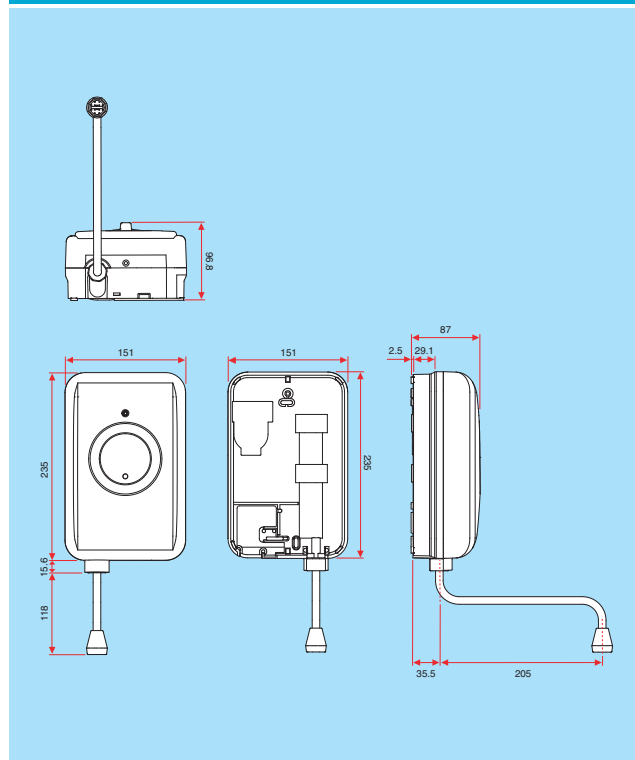
## Installation

**Fixing** Base assembly is secured to wall by two fixing screws, followed by electrical and plumbing connections. The spout and front cover are then attached. Two screws secure the front cover.

**Plumbing** 15mm female push fit at the base of the unit for bottom or rear (concealed) entry. Incoming feed pressure should be between 0.1Mpa (1 bar-14.5psi) and 0.7Mpa (7 bar-100psi).

**Electrical** Cable entry from rear or bottom of unit. Special requirements of the BS7671 (IEE Wiring Regulations) should be observed when installed in bathrooms. Units must be permanently connected to the electrical supply through a double-pole linked isolating switch. The 3.1kW Handy can be supplied from a ring final circuit via a fused spur with a double pole linked isolating switch with a 13A minimum breaking capacity. Cable:- 1.5 - 2.5mm<sup>2</sup>. The 7.2kW Handy requires a dedicated circuit and switch rated at 30A minimum. All electrical work must comply with the latest edition of BS7671 (IEE Wiring Regulations).

## Handy No Touch



## Specification

**Rating** 3.1kW @ 240V, (2.8kW @ 230V).

**Controls** No touch control dial for on/off. Temperature and flow setting via tamper proof adjuster.

**Outer casing** White moulded ABS plastic cover.

**Heat unit** Copper-sheathed rod-type element.

**Water container** Glass reinforced nylon.

**Safety features** Self re-setting thermal cut-out set at 52°C for over heat protection. Non self re-setting second stage cut-out set at 92°C. Pressure relief device in the base of the container to prevent high-pressure build-up. Flow/temperature stabiliser maintains consistent outlet temperature under variable water pressure conditions. Pressure sensor cuts off power if flow is inadequate.

**Ingress protection** IPX5.

**Approvals** BEAB and KIWA approved. Manufactured in a BS EN ISO 9001:2000 registered factory.

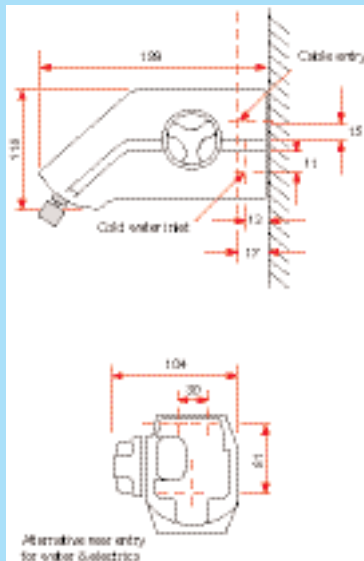
## Installation

**Fixing** Base assembly is secured to wall by two fixing screws, followed by electrical and plumbing connections. The spout and front cover are then attached. Two screws secure the front cover.

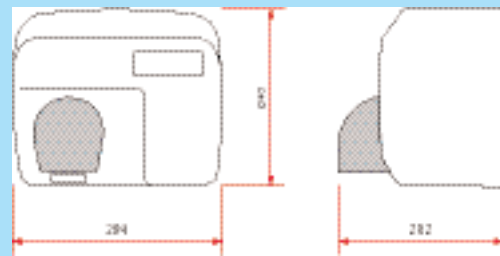
**Plumbing** 15mm female push fit at the base of the unit for bottom or rear (concealed) entry. Incoming feed pressure should be between 0.1Mpa (1 bar-14.5psi) and 0.7Mpa (7 bar-100psi).

**Electrical** Cable entry from rear or bottom of unit. Special requirements of the BS7671 (IEE Wiring Regulations) should be observed when installed in bathrooms. Units must be permanently connected to the electrical supply through a double-pole linked isolating switch. The 3.1kW Handy can be supplied from a ring final circuit via a fused spur with a double pole linked isolating switch with a 13A minimum breaking capacity. Cable:- 1.5 - 2.5mm<sup>2</sup>. The 7.2kW Handy requires a dedicated circuit and switch rated at 30A minimum. All electrical work must comply with the latest edition of BS7671 (IEE Wiring Regulations).

## Concept



## Handy Dri 24



## Specification

**Rating** 3kW @ 240V, (2.8kW @ 230V).

**Outer casing** White thermoplastic.

**Water container** Acetal plastic.

**Heat unit** Alloy-sheathed rod-type element.

**Safety features** Two-stage thermal cut-out. Pressure sensor cuts off power if flow is inadequate.

**Approvals** BEAB approved. Manufactured in the UK in a BS EN ISO 9001:2000 registered factory.

## Specification

**Rating** 2.4kW @ 240V (2.2kW @ 230V).

**Weight** 6.6kgs unpacked, 7.5kgs packed.

**Outer casing** Vandal resistant steel with a choice of satin chrome, chrome or white enamelled finish. Tamper-proof cover screws.

**Nozzle** Chrome plated zinc. 360° swivel.

**Heat unit** Open coil wound on a former.

**Motor / fan** Compact high-performance fan with ball bearings for longer life (approx. noise level 80dB +/- 3dB (A)).

**Air speed** 20m/s.

**Air volume** 51 l/sec.

**Approx. drying time** 28 seconds.

**Safety features** Heater and fan motor protected by auto reset thermostats. Automatic power inhibit to protect against irregular use. Infrared proximity switch.

**Ingress protection** IPX1.

## Installation

**Fixing** A backing plate is fixed to the wall (three-point fixing) and the unit is then slotted into place ready for plumbing and electrical connection. The top cover is secured by a single screw fixing.

**Plumbing** Connection is by an 8mm o.d. pipe with back or left-hand side entry. A 15mm to 8mm reducer is supplied. Incoming feed pressure should be between 1 bar (14.5psi) and 7 bar (100psi). 1 bar minimum should be maintained even with multiple draw-offs.

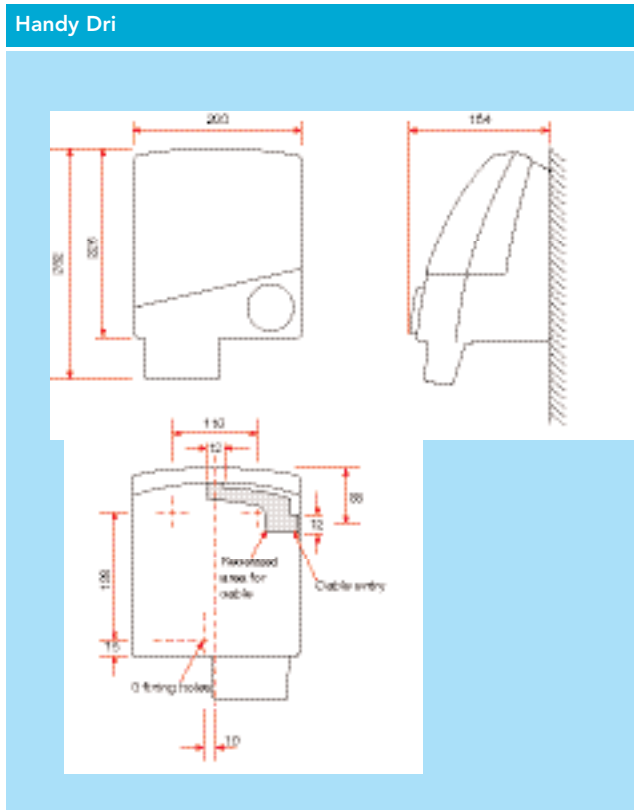
**Electrical** Rear or left-hand side cable or 16mm conduit entry. Cable: 1.5-4.0mm<sup>2</sup> fixed wiring or 1.25-2.5mm<sup>2</sup> flexible cord. May be connected to a ring final circuit via a fused spur with a double-pole linked isolating switch with 13A minimum breaking capacity. All electrical work must comply with the latest edition of BS7671 (IEE Wiring Regulations).

## Installation

**Fixing** The Handy Dri 24 is intended for wall mounting only. Wall fixings supplied.

**Electrical** Cable entry from rear or bottom of unit. Check the mains electrical supply is within the range 230V to 240V 50/60Hz before connecting the Handy Dri 24.

The Handy Dri 24 must be installed by a qualified electrician. All electrical work must comply with the relevant parts of both the latest BS7671 (IEE Wiring Regulations) and part P Building Regulations. Special requirements must be observed when installed in bathrooms etc.



**Specification**

**Rating** Handy Dri 14 / 14E 1.4kW @ 240V, (1.3kW @ 230V), Handy Dri 18 1.8kW @ 240V, (1.7kW @ 230V).  
**Outer case** White thermoplastic. Class II double insulated.  
**Heat unit** Unit construction heater bank.  
**Motor/Fan** Compact high-performance fan with ball bearings for longer life. (approx. noise level 67.5 dBA @ 1.5m).  
**Safety features** Motor and element protected by safety cut-outs. Safety timer prevents continuous running.  
**Ingress protection** IP23.

**Installation**

**Fixing** Base assembly secured to the wall by three-point fixing.  
**Electrical** Cable entry in back. May be connected to a ring final circuit via a fused spur with a double-pole linked isolating switch with 13A minimum breaking capacity. All electrical work must comply with the latest BS7671 (IEE Wiring Regulations). Special requirements of the BS7671 (IEE Wiring Regulations) for location and isolation should be observed when installed in bathrooms.

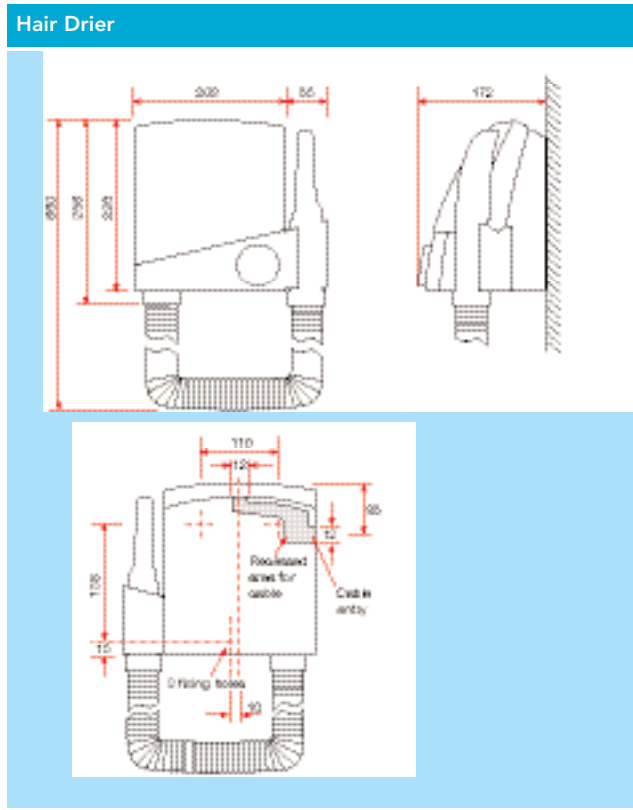
**Guarantee for Handy 3/7, Handy No Touch, Concept, Handy Dri and Hair Drier**

2 year product guarantee with on-site service support from date of purchase. For more detailed guarantee information contact Heatrae Sadia.



**Guarantee for Handy Dri 24**

5 year product guarantee with on-site service support from date of purchase. Excludes normal motor brush wear and tear. For more detailed guarantee information contact Heatrae Sadia.



**Specification**

**Rating** 1.0kW @ 240V, (0.9kW @ 230V).  
**Outer case** White thermoplastic. Class II double insulated.  
**Heat unit** Unit construction heater bank.  
**Motor/Fan** Compact high-performance fan with ball bearings for longer life (approx. noise level 63.5 dBA @ 1.5m).  
**Safety features** Motor and element protected by safety cut-outs. Maximum running time 10 minutes.  
**Ingress protection** IP22.

**Installation**

**Fixing** Base assembly secured to the wall by three-point fixing.  
**Electrical** Rear cable entry. May be connected to a ring final circuit via a fused spur with a double-pole linked isolating switch with 13A minimum breaking capacity. All electrical work must comply with the latest BS7671 (IEE Wiring Regulations). Special requirements of the BS7671 (IEE Wiring Regulations) for location and isolation should be observed when installed in bathrooms.

**Ordering guide**

Model	Rating @ 240V kW	Product code
Handy 3	3.1	95:020:113
Handy 7	7.2	95:020:114
Handy No Touch	3.1	95:020:115
Concept	3	95:020:042
HandyDri 24 White	2.4	95:020:090
HandyDri 24 Chrome	2.4	95:020:091
HandyDri 24 Satin Chrome	2.4	95:020:092
Handy Dri 14	1.4	95:020:081
Handy Dri 14E	1.4	95:020:082
Handy Dri 18	1.8	95:020:083
Hair Drier	1	95:020:084



**HEATRAE SADIA**

The quality name in water heating

## Products

**Boiling water** Supreme | Supreme SS

**Chilled water** SuperChill

**Cistern-fed water heating** Megalife HE | Megalife Solar

**Cistern-type water heating** FBM

**Electric flow boiler** Amptec | Electromax

**Electric showers** Accolade | Carousel | Sapphire | Cameo

**Hand hygiene** Handy | Concept | Hair Drier | Handy Dri

**Immersion heaters** Titanium | Superloy | Gold Dot | Maxistore | RDT Thermostats

**Point of use** Streamline | Express | UTC 99 | B3M | C3M | Vented tap range

**Small unvented water heating** Hotflo | Multipoint

**Unvented water heating** Megaflo HE | Megaflo HE SystemFit | Megatech Solar

For free product brochure(s) call our literature hotline on 01603 420127

## Contact

**Specification** T: 01603 420220 F: 01603 420229 E: specifier@heatraesadia.com

**Sales** T: 08700 603262 F: 08700 600403 E: sales@heatraesadia.com

**Service** T: 08701 600125 F: 08701 600181 E: heatraesadiaservice@heateam.co.uk

**Web** www.heatraesadia.com

### National service network

Heatrae Sadia products are inherently reliable and are designed to meet the demanding needs of all users.

A nationwide network of experienced engineers is available to provide fast and efficient on-site service support.

In addition, spare parts for the complete range of products are readily available through a wide variety of stockists.



Heatrae Sadia Heating Hurricane Way Norwich Norfolk NR6 6EA

Heatrae Sadia Heating may introduce modifications to their products from time to time. Consequently, the details given in this brochure are subject to alteration without notice.

95 900 812 Issue 5 July 2008

A division of **BAXI GROUP** © July 2008