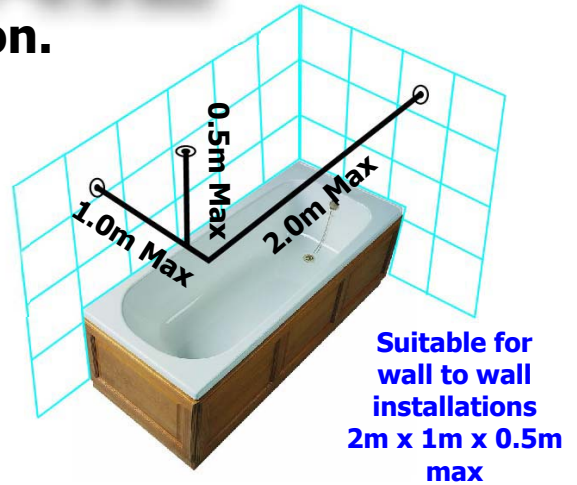


SHOWER RAIL

L to Wall + Ceiling Rail Installation.

Tools required to complete the installation.

- Electric Drill with 8mm masonry drill bit
- Suitable Hex Screwdriver
- Masking tape to ensure tiles are not damaged when drilling
- Stainless Steel Pipe cutter or suitable hacksaw
- Spirit level to get rail level
- Tape measure



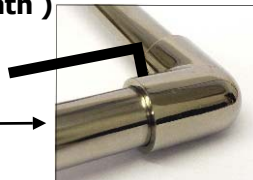
Installation instructions

- Measure up from the **inside base of the bath approximately 190 cm** and make a horizontal line where you would like bracket **"a"** to be positioned.

(This is so the rail and new curtain fit perfectly, as shower curtains are normally 180cm drop from shower rail)

- Decide on the desired length and width of your shower rail and using a pipe cutter or hacksaw cut the stainless steel rail to size. (**Tip - Rails should be slightly shorter than the length and width of your bath**)

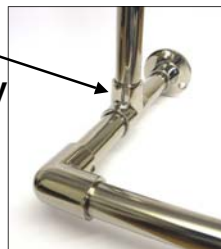
- Assemble the corner piece and tighten the two grub screws with the allen key provided as per picture opposite.
- Hold the L shaped rail up against the two walls as per Diagram 1 and mark the position of the point where the long tube touches the wall on your newly marked horizontal line with a pencil **"a"**.



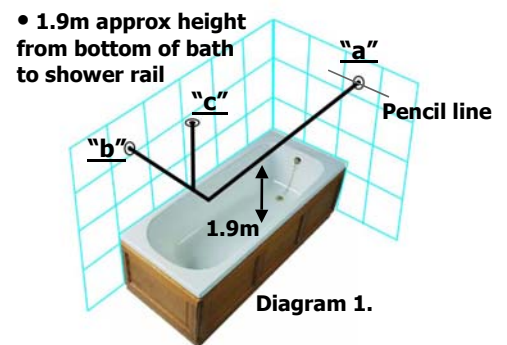
- Note. You will need an 8mm masonry drill bit to go through your tiles**
- Fix masking tape to the area where you will fix the first bracket **"a"**. Carefully mark and drill the three holes, then add the rawplugs and fix bracket **"a"** to wall.

- Insert assembled rail into the wall bracket **"a"** then check that the rail is level using a spirit level and mark position of the second bracket **"b"**.
- Carefully mask the area off, then drill the holes and add the rawplugs.
- Slide "T" piece and fixing bracket onto the shorter rail and then push the opposite end of the rail into bracket **"a"**. Slide second bracket to wall and fix **"b"**.

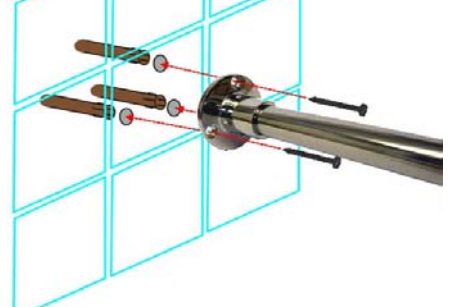
- Measure from short rail to ceiling and cut the vertical rail to size. Push vertical rail onto "T" piece, followed by final bracket. Mark ceiling holes, drill, rawplug and fix bracket. (**Note. You may need extra bracing in your ceiling space to screw into**)



- Tighten the allen screws on all brackets and "T" piece with the allen key provided to finish your installation.



- Tape up area with masking tape
- Mark & drill holes using an 8mm masonry drill
- Add rawplugs & fix bracket to tiled wall



- Ensure rod is level and straight
- Mark new bracket and repeat above procedure then fix rail in place

