

SHOWER RAIL

Straight Rail Installation.

Tools required to complete the installation.

- Electric Drill with 8mm masonry drill bit 
- Suitable Hex Screwdriver 
- Masking tape to ensure tiles are not damaged when drilling 
- Stainless Steel Pipe cutter or suitable hacksaw 
- Spirit level to get rail level 
- Tape measure 



Suitable for wall to wall installations with a gap not exceeding 2m

Installation instructions

- Measure up from the **inside base of the bath approximately 190 cm** and make a horizontal line where you would like bracket "a" to be positioned

(This is so the rail and curtain fit perfectly as shower curtains are normally 180cm drop from shower rail)

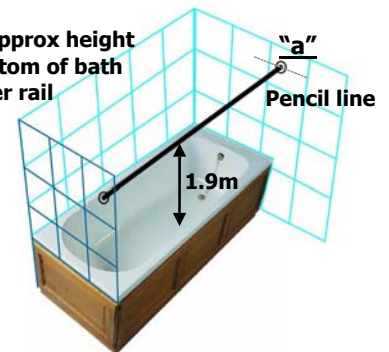
- Fix masking tape to the area where you will fix the first bracket and carefully mark, drill and loosely fix the bracket with the screws and rawplugs supplied.
Note. You will need an 8mm masonry drill bit to go through your tiles

- Measure the distance between the tiles and cut the rail 10mm short of this measurement with a pipe cutter or hacksaw

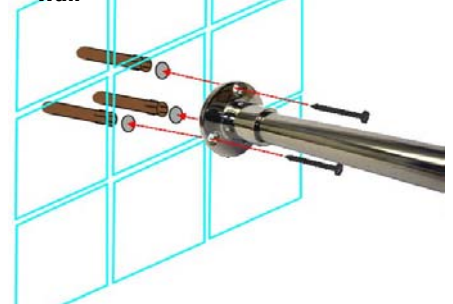
(ie If distance is 1900mm - make the cut at 1890mm. This is so the tube and ends have some adjustment)

- Slide both fixings onto the tube, screw in and loosely fix the first bracket.
- With a spirit level on top of the rail, push the second bracket into place, check for the rail being level and at the same distance from the wall as the first bracket.
- Mark the wall where the second bracket will fit and remove rail and first fixing completely from wall again. Take care not to crack tiles when fixing.
- Fix masking tape to the area where you will fix the second bracket and carefully mark and drill the second bracket and insert the rawplugs supplied.
- Slide both brackets onto the rail and offer the rail up to the wall and fix in position at both ends.
- Tighten the allen screws on both brackets with the allen key provided.

- 1.9m approx height from bottom of bath to shower rail



- Tape up area with masking tape
- Mark & drill holes using an 8mm masonry drill
- Add rawplugs & fix bracket to tiled wall



- Ensure rod is level and straight
- Mark new bracket and repeat above procedure then fix rail in place

