



PREMIUM **HINGED** SHOWER DOOR / ENCLOSURE
FITTING INSTRUCTIONS



IMPORTANT CHECKLIST

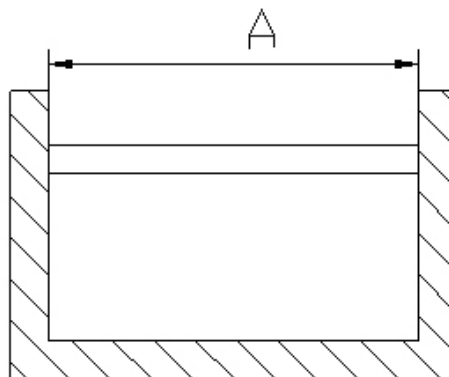
Before installation - please ensure...

- 1: The walls are reasonably flat and that the shower tray is level, properly sealed, and drains correctly.
- 2: There is no pipe work or cables behind walls where drilling.
- 3: Shower door is the correct size for the shower tray (see measurements below) and you have allowed for tiles.
- 4: There is no visual defect to the shower door.
- 5: Proper fixings are used for the appropriate wall type.

INSTRUCTION PRODUCT SIZES








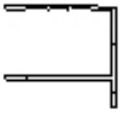
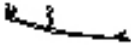

These Instructions are specifically for the Duchy Hinged Shower Door / Enclosure. Please Refer to the packaging to ensure that you have the one of the three sizes referred to in the table below...

Square Tray Size	Dimensions (A) Min-Max
760mm Wide	705mm - 755mm
800mm Wide	745mm - 795mm
900mmx Wide	845mm - 895mm
1000mm Wide	945mm - 995mm

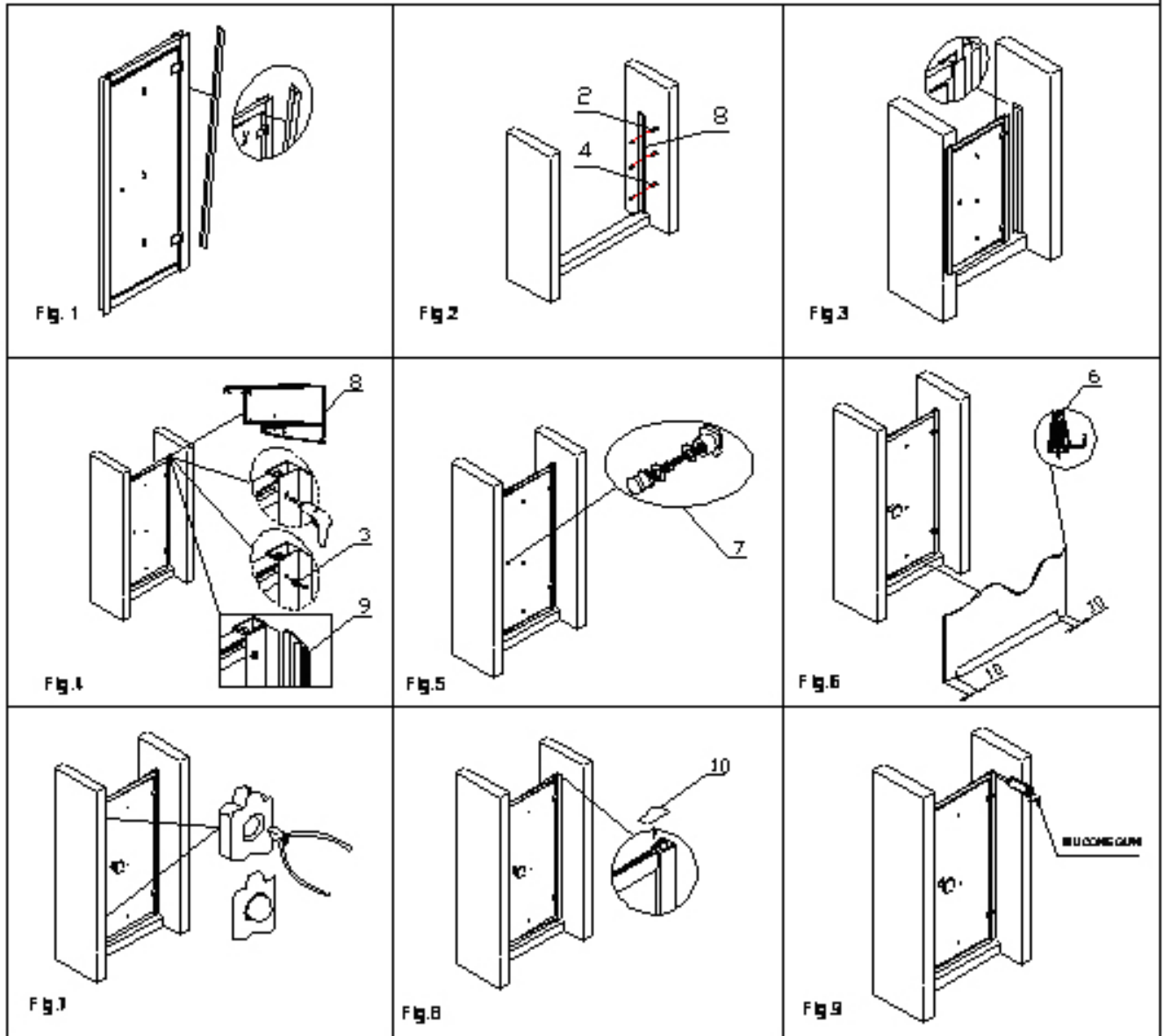


PRODUCT PARTS

The following pictures show the parts and the quantities included for this product. Please ensure that these parts are included before you start installing...

1 	2 	3 	4  ST4*30	5  ST4*12
DDOR	WALL PLUG	SCREW CAP	SCREW	INNER PROFILE SCREW
6 	7 	8 	9 	10 
BOTTOM GASKET	DOOR HANDELS	WALL PROFILE	WALL PROFILE COVER	END COVER

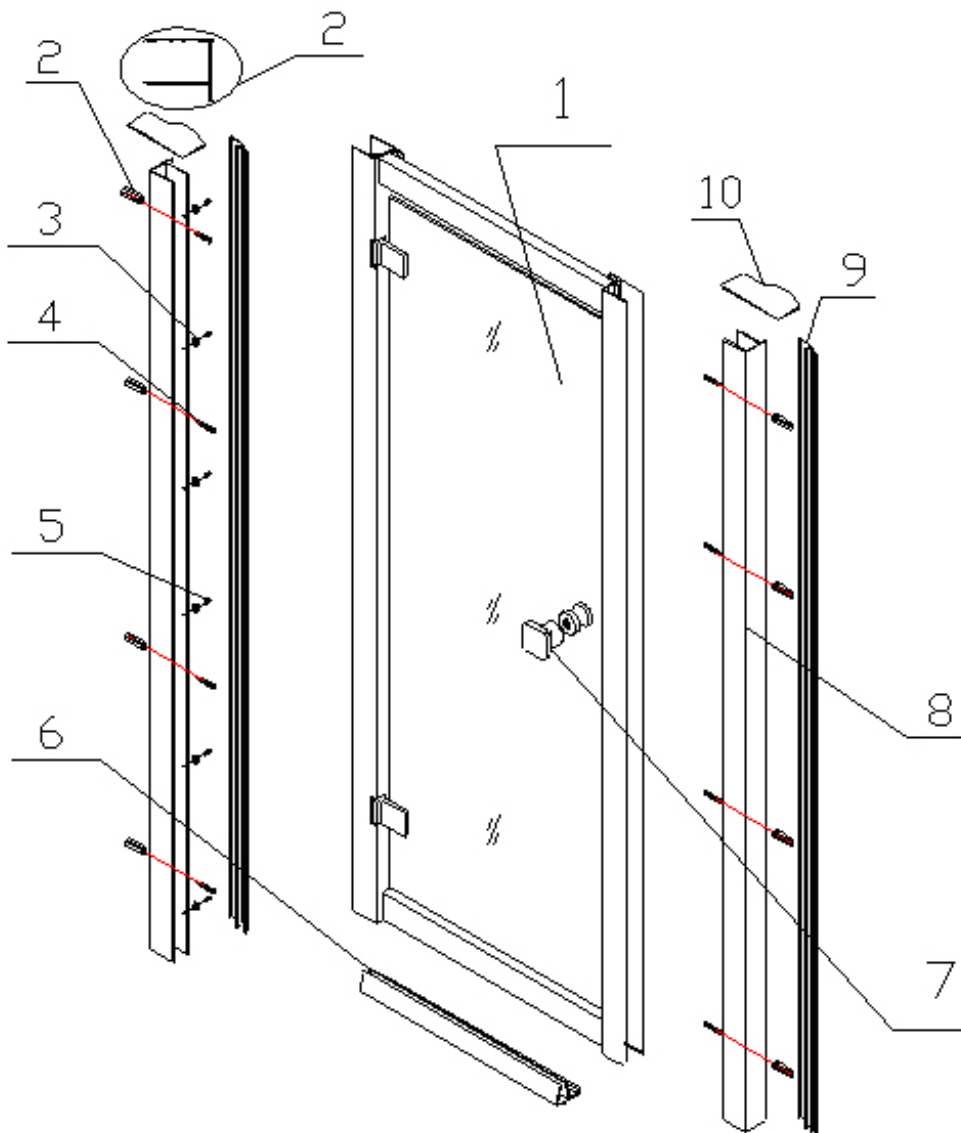
INSTALLATION PROCEDURE DIAGRAMS



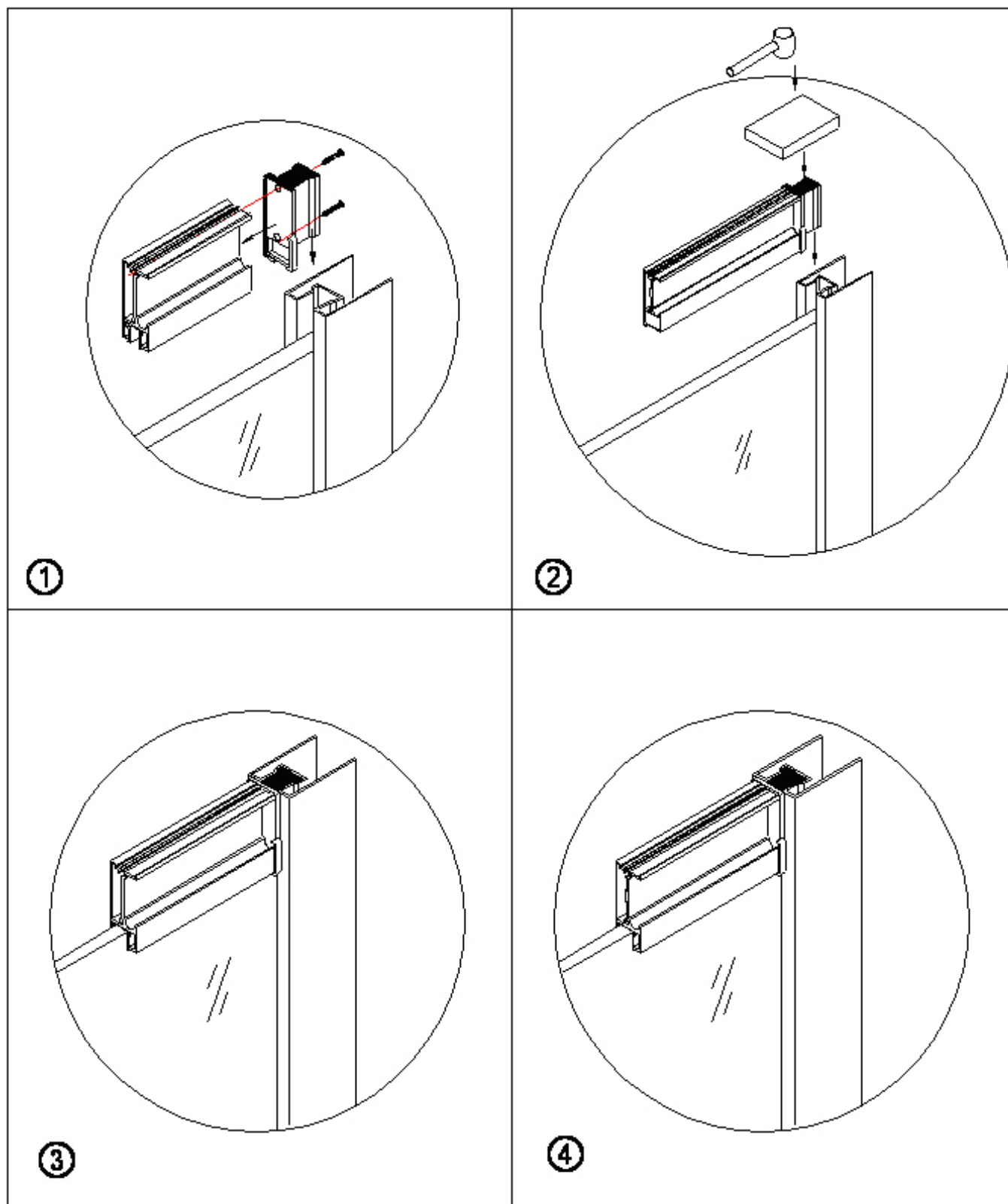
INSTALLATION PROCEDURE INSTRUCTIONS

- 1: Install one of the wall profiles level in upright position using screws No. 4 (see Fig.2)
- 2: Level door with the other wall profile on tray and fix door to wall profile as per Fig.3
- 3: Fix handles on to door. (see Fig 5)
- 4: The door catch with spring can be adjusted to make the door shut properly Fig.7
- 5: Place silicone between wall profile and wall and between bottom profile and tray (outside only) do not use shower for 24hours

Adjustment: All doors are designed to run correctly. If this does not occur please make sure gaskets are fully slotted in or use hex nuts on back of top roller to get adjustment



EASY FIT SYSTEM



SIDE PANEL ARRANGEMENT

