



PREMIUM **RECTANGULAR** SHOWER DOOR / ENCLOSURE
FITTING INSTRUCTIONS



IMPORTANT CHECKLIST

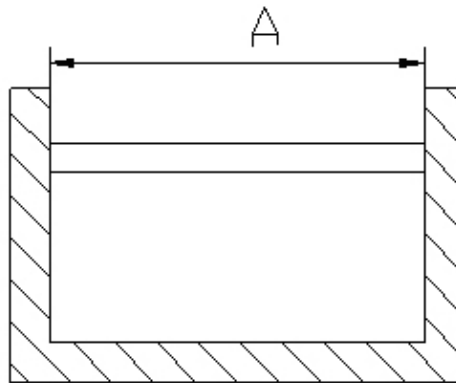
Before installation - please ensure...

- 1: The walls are reasonably flat and that the shower tray is level, properly sealed, and drains correctly.
- 2: There is no pipe work or cables behind walls where drilling.
- 3: Shower door is the correct size for the shower tray (see measurements below) and you have allowed for tiles.
- 4: There is no visual defect to the shower door.
- 5: Proper fixings are used for the appropriate wall type.

INSTRUCTION PRODUCT SIZES

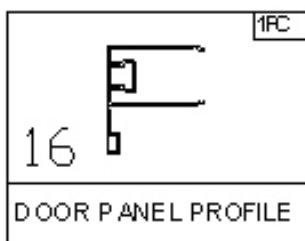
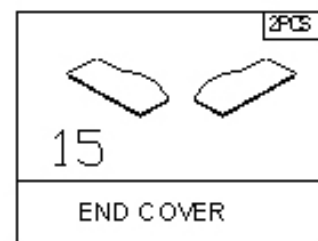
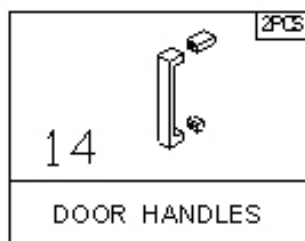
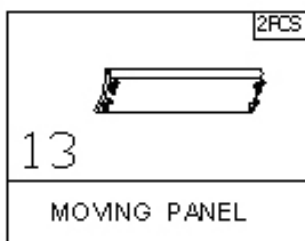
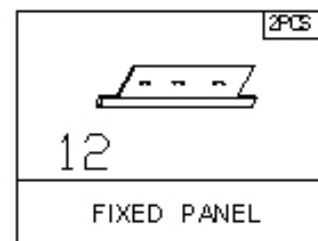
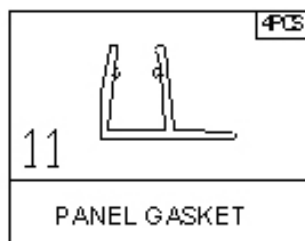
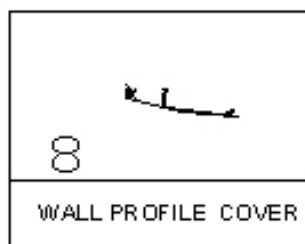
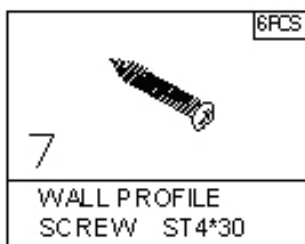
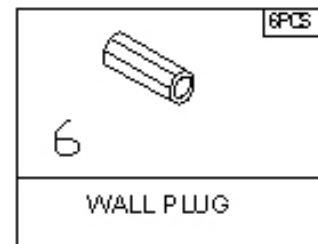
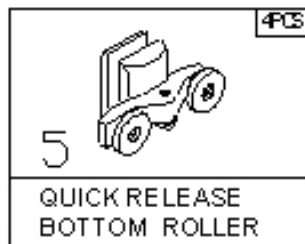
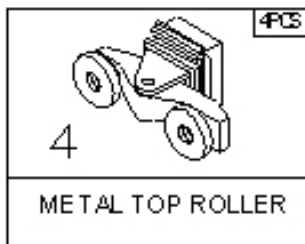
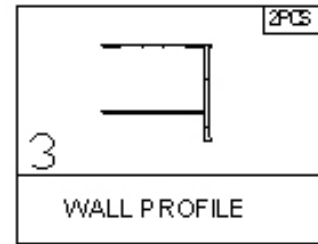
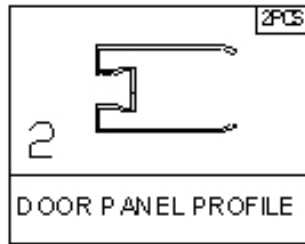
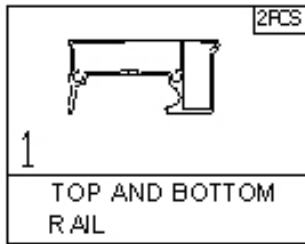
These Instructions are specifically for the Duchy Rectangular Shower Door / Enclosure. Please Refer to the packaging to ensure that you have the one of the three sizes referred to in the table below...

Rectangular Tray Width	Dimensions (A) Min-Max
1000mm Wide	945mm - 995mm
1100mm Wide	1045mm - 1095mm
1200mm Wide	1145mm - 1195mm

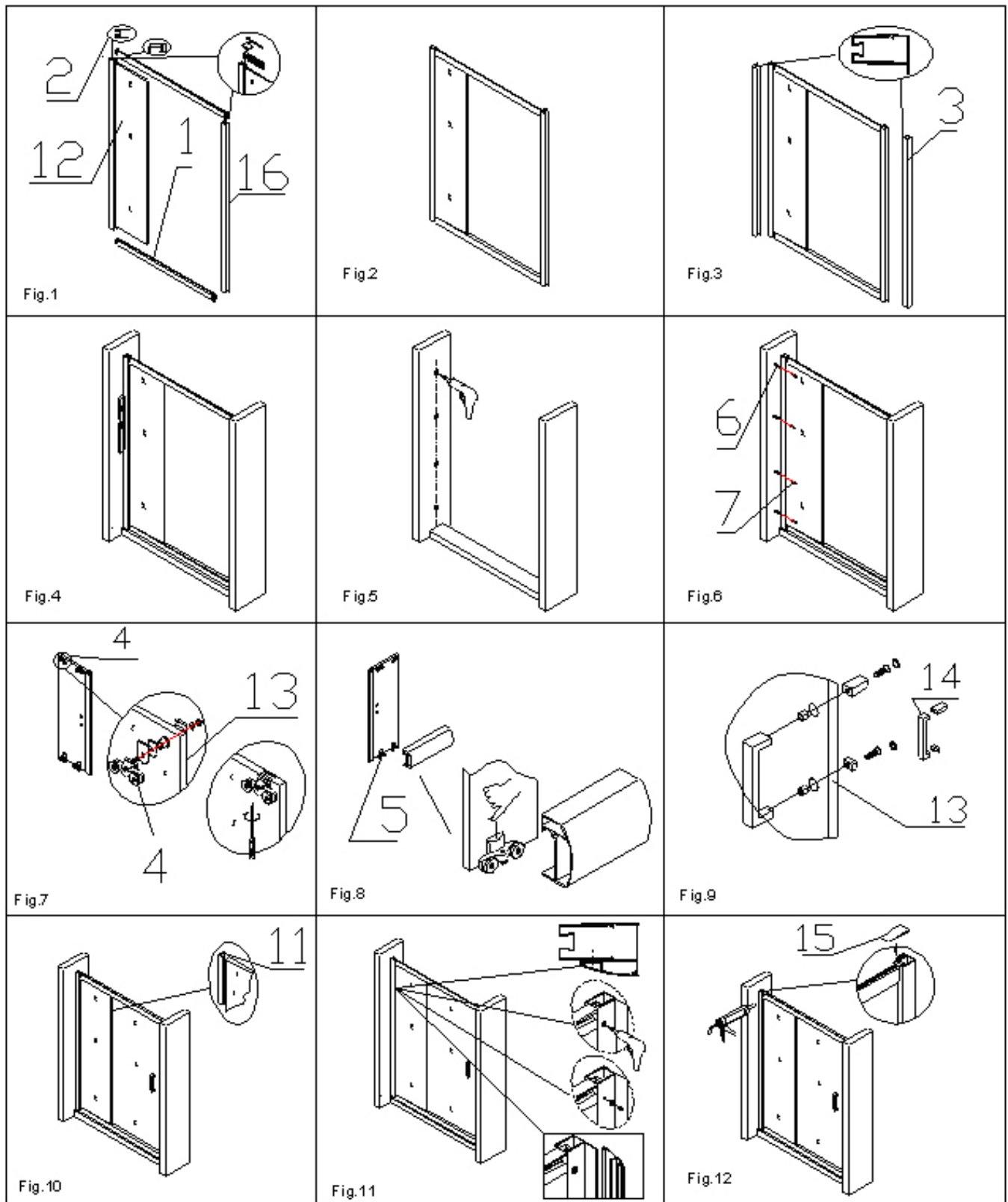


PRODUCT PARTS

The following pictures show the parts and the quantities included for this product. Please ensure that these parts are included before you start installing...



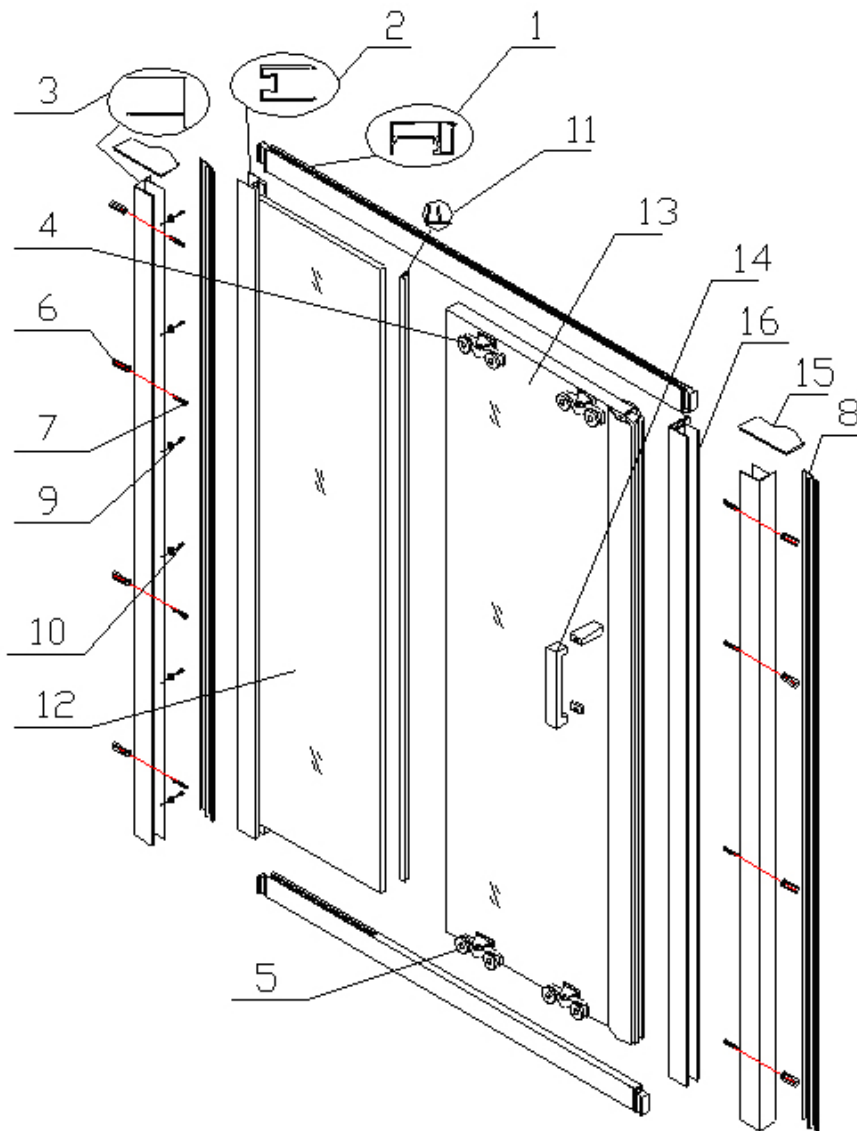
INSTALLATION PROCEDURE DIAGRAMS



INSTALLATION PROCEDURE INSTRUCTIONS

- 1: Install one of the wall profiles level in upright position using screws(see Fig.2)
- 2: Level door with the other wall profile on tray and fix door to wall (see Fig.3)
- 3: Fix handles on to door. fit metal top rollers and quick release bottom rollers to door,fit long plastic seals to fixed panel and door (see Fig 7)
- 4: Adjust rollers if needed for smooth running,
- 5: Place silicone between wall profile and wall, and between bottom profile and tray(outside only) do not use shower for 24hours

Adjustment: All doors are designed to run correctly. If this does not occur please make sure gaskets are fully slotted in or use hex nuts on back of top roller to get adjustment



EASY FIT SYSTEM

