



Installation of Dream Whirlpool Massage Bath

一、Electric Parameters

Rated Voltage	Frequency	Motor Power	Voltage of Control Circuit
220V-240V	50Hz-60Hz	0.745KW(1HP)	DC12V

二 Installation Procedures:

I. Installation of Bathtub

1. Unpack the bathtub, move it to desired position, adjust the floor bolts to completely remove water from drainer, then fix the nut.
2. Insert the skirt into the upper slot of the bathtub, then press the flat-head bolt on bathtub rack onto the skirt, shown in Diagram 1 A; tighten it with bolts, shown in Diagram 1 B.
3. Install and fix sprayer, storage rack and other external parts.
4. Reliably ground the bathtub with yellow and green grounding wire.

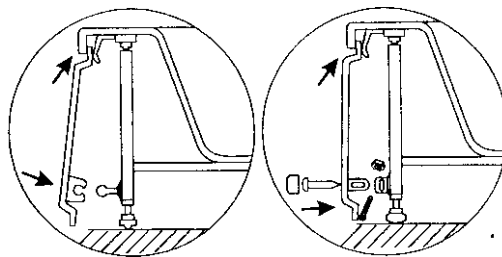


Diagram 1

II. Installation of Water Inlet

Connect one T-piece in the bathroom near the bathtub, then install two switches, and connect the outlet of the switches with the cold and hot water pipes of water heater, please refer to Diagram 2.

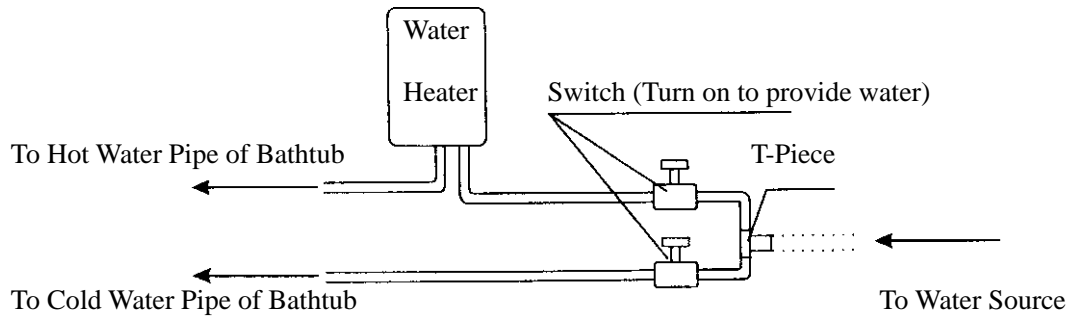


Diagram 2

III. Install Drainer

When installing, please keep the drainage position at 200mm to the drainer on bottom of bathtub, after installing the bathtub, insert the soft pipe of the bathtub into the hole. See Diagram 3.

Note: The installation method of all bathtubs is basically the same. Installation is subject to change without prior notice, please don't hesitate to contact us by dialing our after service hotline: 8008301780.

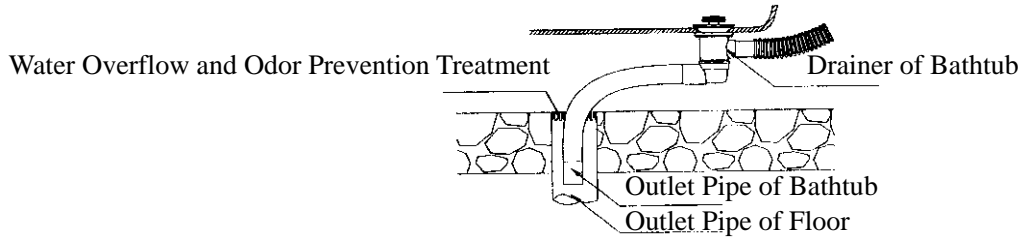


Diagram 3

IV. Special Tips

1. User's power facilities must meet national safety standard, voltage and frequency of power supply shall be consistent with the value marked on the product, leakage protection is required for power supply, assure grounding protection facilities are effective.
2. Power cord shall be fixed permanent wire, 3-core wire is required, section of every core shall exceed 2.5mm (3*2.5mm).
3. Drain water for about 10 minutes for newly built or reconstructed house for removing sand and dirt from pipes before connecting the inlet pipe of the bathtub.
4. After using, cut off power supply and water supply.

三、 Product Specification Diagram

