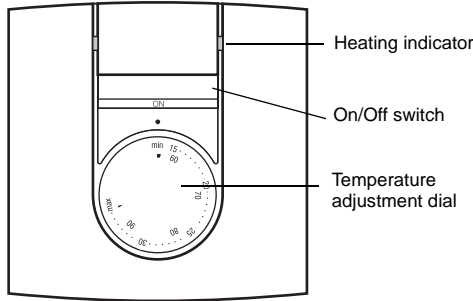


1 Description

The elements eStat 760 electronic thermostat can be used to control the floor temperature using a temperature sensor installed in the floor.

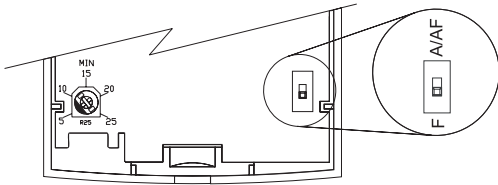


2 Configuration

2.1 Application Types

Some thermostats have a switch allowing you to configure the thermostats according to your model or application. If your thermostat is equipped with this switch, place it in the appropriate position.

Type	Switch Position
A	UP (A/AF)
AF	UP (A/AF)
F	DOWN (F)

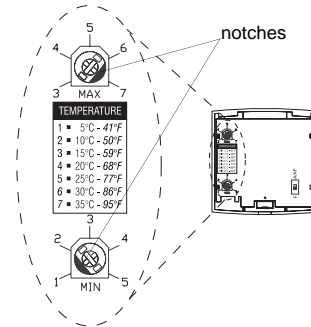


2.2 Minimum and Maximum Limits

Use the two potentiometers (small dials) on the back of the control module to set the minimum and maximum temperature limits. If the temperature adjustment dial is set to a temperature beyond either limit, the temperature will be maintained at that limit.

Depending on your model or application, the potentiometers limit the following temperature:

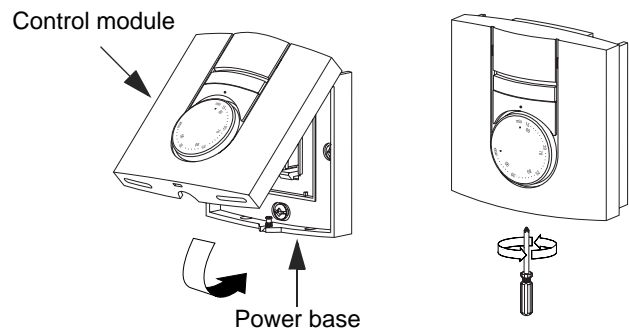
- ▶ ambient temperature (A)
- ▶ floor temperature (F or AF)



Use a flat-tip screwdriver to rotate the potentiometers until the notch points to the desired temperature limit.

3 Installation

- 1 Refer to the installation instructions of the power base.
- 2 Insert the tabs at the top of the control module in the slots at the top of the power base.
- 3 Secure the control module using the captive screw underneath the base.



4 Operation

4.1 Temperature Adjustment

Use the dial on the front of the thermostat to set the desired temperature.




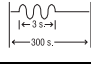
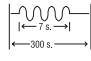
NOTE: If the dial is placed at a temperature beyond the minimum or maximum temperature limit, the temperature will be maintained at that limit.

4.2 On/Off Switch

Use the On/Off switch to cut power to the heater when not in use (e.g., in the summer).

5 Pilot Wire Orders (Europe only)

eStat 760 can accept the six following pilot wire orders when installed on a 230 V power base.

ORDER	SIGNAL	DESCRIPTION
Comfort	No signal	Maintain temperature at setpoint
Reduced setpoint (3.5k setback)		Maintain temperature at 3.5°C below setpoint
frost protection		Maintain temperature at 7°C
Off		Stop heating
1k setback		Maintain temperature at 1°C below setpoint
2k setback		Maintain temperature at 2°C below setpoint

6 Specifications

Setpoint range: 7°C, 15°C to 35°C

Minimum temperature limit: 5°C to 25°C

Maximum temperature limit: 15°C to 35°C

Accuracy: ± 0.2°C

Storage: -20°C to 50°C

Heating cycle length: 15 minutes

Software: Class A

Controller: Electronic

Size (H/W/D): 79 x 79 x 16 mm

Warranty

elements warrants this product, excluding battery, to be free from defects in the workmanship or materials, under normal use and service, for a period of three (3) years from the date of purchase by the consumer. If at any time during the warranty period the product is determined to be defective or malfunctions, elements shall repair or replace it (at elements's option).

If the product is defective,

- return it, with a bill of sale or other dated proof of purchase, to the place from which you purchased it, or
- contact elements. elements will make the determination whether the product should be returned, or whether a replacement product can be sent to you.

This warranty does not cover removal or reinstallation costs. This warranty shall not apply if it is shown by elements that the defect or malfunction was caused by damage which occurred while the product was in the possession of a consumer.

elements's sole responsibility shall be to repair or replace the product within the terms stated above. ELEMENTS SHALL NOT BE LIABLE FOR ANY LOSS OR DAMAGE OF ANY KIND, INCLUDING ANY INCIDENTAL OR CONSEQUENTIAL DAMAGES RESULTING, DIRECTLY OR INDIRECTLY, FROM ANY BREACH OF ANY WARRANTY, EXPRESS OR IMPLIED, OR ANY OTHER FAILURE OF THIS PRODUCT. Some regions do not allow the exclusion or limitation of incidental or consequential damages, so this limitation may not apply to you.

THIS WARRANTY IS THE ONLY EXPRESS WARRANTY ELEMENTS MAKES ON THIS PRODUCT. THE DURATION OF ANY IMPLIED WARRANTIES, INCLUDING THE WARRANTIES OF MERCHANTABILITY AND FITNESS FOR A PARTICULAR PURPOSE, IS HEREBY LIMITED TO THE THREE-YEAR DURATION OF THIS WARRANTY. Some regions do not allow limitations on how long an implied warranty lasts, so the above limitation may not apply to you.

This warranty gives you specific legal rights, and you may have other rights which vary from region to region.



Customer Assistance

If you have any questions about the product installation or operation, or concerning the warranty, contact us at:



Edison House
Unit 7 Edison Close
Ransomes Europark
Ipswich, Suffolk
IP30 9GU

Tel.: 0845 11 88 888

Fax: 0845 11 88 889

Email: sales@elementshop.co.uk

Website: www.elementshop.co.uk



WEEE Directive:

- Do not dispose along with normal household waste.
- Do not burn.

The product and its packaging must be disposed of at a suitable recycling centre.