

Product Finish: Brushed nickel

Product code: AT1225
EAN13 barcode: 5060048383959



Product features:

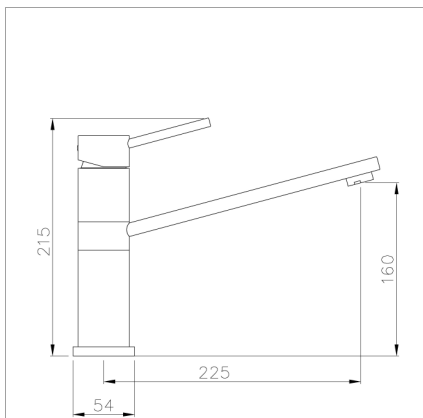
- Metal construction throughout
- Subtle soft sweeping design form
- Single lever control for effortless single handed control
- Leading design performance requiring higher pressures
- Antisplash spout supplied as standard

Additional information / Parts included:

1 x fixing stud m8 x 120mm, 1 x worktop seal, 1 x rubber seal, 1 x metal horseshoe, 1 x fixing nut

Note: the image shown may not reflect the product finish, chrome finish is typically depicted.

Product dimensions:



SPECTO
SINGLE LEVER V2



© abode home products ltd
www.abode.co.uk
All rights reserved. Reproduction
in whole or in part without the
written permission of abode home
products ltd is prohibited.

- **Overall Height / projection:** 215 mm
- **Exit reach:** 225 mm
- **Exit height:** 160 mm
- **Centre distance(s):**

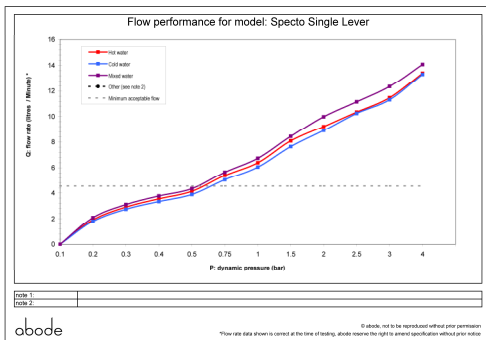
- **Base diameter(s):** 54 mm
- **Recommended hole diameter:** Ø 35 mm
- **Max. surface depth:** 40 mm

- **Spout diameter:** 35 x 12 mm
- **Spout aerator size:** 22m

Packaged properties:

- Box length:** 420mm **Box depth:** 75mm
- Box width:** 420mm **Units per outer:** 5
- Tap only weight:** 1.33kg **Boxed weight:** 1.90kg

Product flow characteristics:



- **Min / Max water pressure:** 0.60 / 5.5 bar
- **Recommended / Max water temperature:** 46°C / 70°C
- **Part G - Mixed flow rate at 3 bar (litres / min):** 12.35

- **Control valve type:** Single lever ceramic cartridge
- **Product flow characteristics:** Single flow
- **Non return valve(s):** Integral to hot & cold inlets

- **Aerator type:** Neoperl aerator honeycomb single flow
- **Accepts revolve / spray areator:** Yes
- **Spout connection method:** Grub screw

- **Tail pipe inlet / outlet size:** M10 / 1/2" Male
- **Inlet pipe type / length:** flexible stainless braided hose / 370 mm

Care instructions summary:

- Clean the mixers and showers regularly as required, using soap, do not use any other cleaners.
- Regular cleaning will prevent the build up of lime scale and dirt
- After cleaning rinse thoroughly with clean water to remove any cleaner residue
- Residues of sink & worktop cleaners can also cause damage, so rinse with clean water after using, avoid contact with any abrasives

Warranty Summary (Full details available on request):

- Materials and workmanship defects warranted for 5 years
- Valves and working parts warranted for 5 years
- Surface warranty defects warranted for 1 year
- O-rings, hoses & gaskets warranted for 1 year