

Product Finish: Stainless steel

Product code: AT2075  
EAN13 barcode: 5060344155977



Note: the image shown may not reflect the product finish, chrome finish is typically depicted.

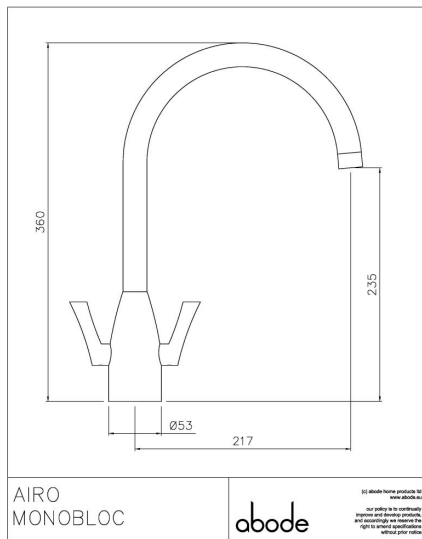
### Product features:

- Subtle soft sweeping design form
- Quarter turn handle action for precise flow control
- 304 grade brushed stainless steel construction
- Antisplash spout supplied as standard
- Supplied complete with flexible tail pipes for fast simple fitting

### Additional information / Parts included:

Includes 2.5mm Allen key, triangular stabiliser & high flow aerator

### Product dimensions:



- Overall Height / projection: 360 mm
- Exit reach: 217 mm
- Exit height: 235 mm
- Centre distance(s):

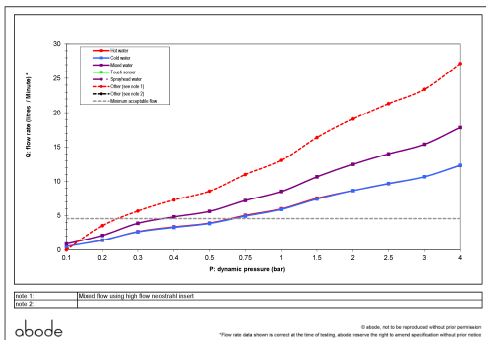
- Base diameter(s): 53 mm
- Recommended hole diameter: Ø 35 mm
- Max. surface depth: 45 mm

- Spout diameter: 24 mm
- Spout aerator size: 22mm

### Packaged properties:

- Box length: 435mm
- Box depth: 70mm
- Box width: 340mm
- Units per outer: 5
- Tap only weight: 2.18kg
- Boxed weight: 1.48kg

### Product flow characteristics:



- Min / Max water pressure: 0.30 / 5.50 bar
- Recommended / Max water temperature: 46°C / 70°C
- Part G - Mixed flow rate at 3 bar (litres / min): 23.40

- Control valve type: Ceramic disc QT
- Product flow characteristics: Single flow
- Non return valve(s): Hot & cold (integral to tails)

- Aerator type: Light blue honeycomb & hi-flow neostrahl
- Accepts revolve / spray areator: No
- Spout connection method: Grub screw

- Tail pipe inlet / outlet size: M12 / 1/2" BSP Male
- Inlet pipe type / length: flexible stainless braided hose / 245 mm

### Care instructions summary:

- Clean the mixers and showers regularly as required, using soap, do not use any other cleaners.
- Regular cleaning will prevent the build-up of lime scale and dirt
- After cleaning rinse thoroughly with clean water to remove any cleaner residue
- Residues of sink & worktop cleaners can also cause damage, so rinse with clean water after using, avoid contact with any abrasives

### Warranty Summary (Full details available on request):

- Materials and workmanship defects warranted for 5 years
- Valves and working parts warranted for 5 years
- Surface warranty defects warranted for 1 year
- O-rings, hoses & gaskets warranted for 1 year