

Product Finish: **Antique Brass**

Product code: **AT2172**  
 EAN13 barcode: **5060344159852**



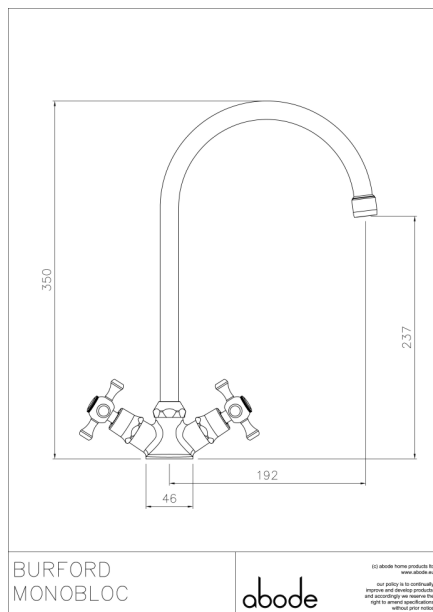
**Product features:**

- Metal construction throughout
- Quarter turn handle action for precise flow control
- Traditional French provincial styling
- Supplied complete with flexible tail pipes for fast simple fitting
- Antisplash spout supplied as standard

**Additional information / Parts included:**

Note: the image shown may not reflect the product finish, chrome finish is typically depicted.

**Product dimensions:**



- Overall Height / projection:** 350 mm
- Exit reach:** 192 mm
- Exit height:** 237 mm
- Centre distance(s):**

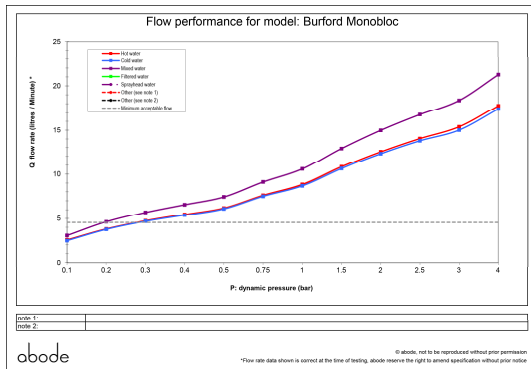
- Base diameter(s):** 46 mm
- Recommended hole diameter:** Ø 35 mm
- Max. surface depth:** 40 mm

- Spout diameter:** 18 mm
- Spout aerator size:** M22

**Packaged properties:**

- Box length:** 435mm
- Box depth:** 70mm
- Box width:** 340mm
- Units per outer:** 5
- Tap only weight:** 0.85kg
- Boxed weight:** 1.40kg

**Product flow characteristics:**



- Min / Max water pressure:** 0.20 / 5.5 bar
- Recommended / Max water temperature:** 46°C / 70°C
- Part G - Mixed flow rate at 3 bar (litres / min):** 18.38

- Control valve type:** Ceramic disc QT
- Product flow characteristics:** Single flow
- Non return valve(s):** No, none required

- Aerator type:** Honeycomb
- Accepts revolve / spray areator:** No
- Spout connection method:** Locking collar

- Tail pipe inlet / outlet size:** M12 / 1/2" BSP Female
- Inlet pipe type / length:** flexible stainless braided hose / 250 mm

**Care instructions summary:**

- Clean the mixers and showers regularly as required, using soap, do not use any other cleaners.
- Regular cleaning will prevent the build-up of lime scale and dirt
- After cleaning rinse thoroughly with clean water to remove any cleaner residue
- Residues of sink & worktop cleaners can also cause damage, so rinse with clean water after using, avoid contact with any abrasives

**Warranty Summary (Full details available on request):**

- Materials and workmanship defects warranted for 5 years
- Valves and working parts warranted for 5 years
- Surface warranty defects warranted for 1 year
- O-rings, hoses & gaskets warranted for 1 year