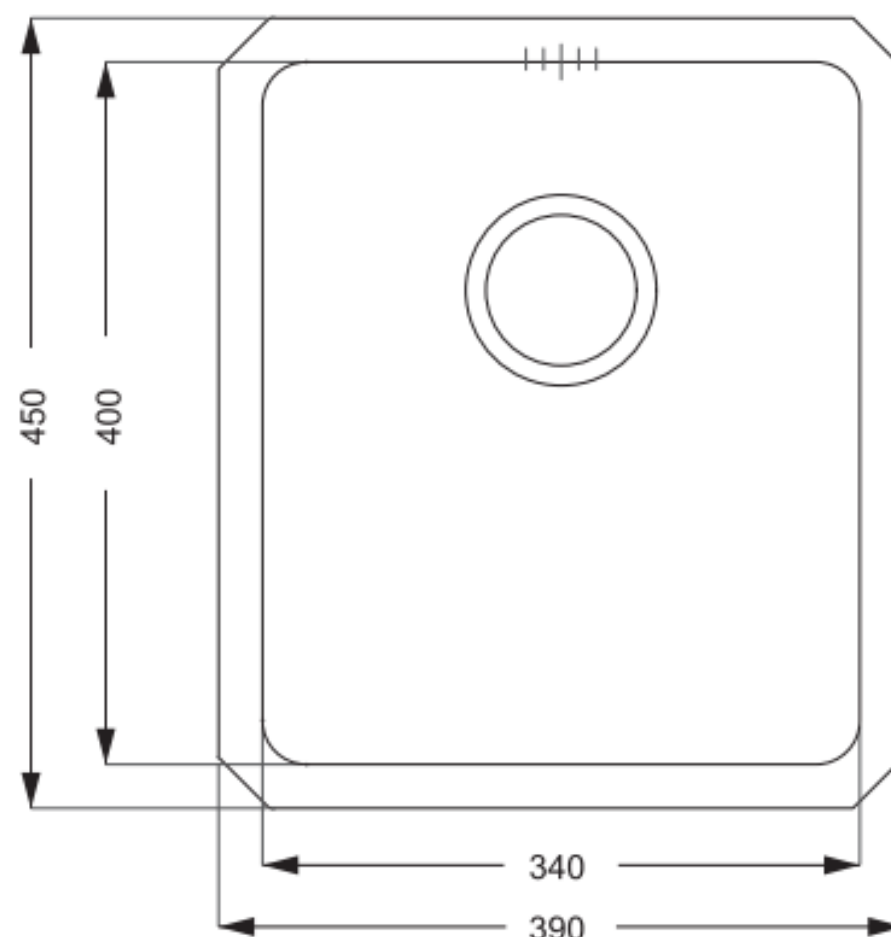


# Product Data Sheet



Prima Code	CPR046
Description	PRIMA+ COMPACT 1.0B R25 UM SINK STST
Colour	Polished Stainless Steel
Material	SS304 Stainless Steel
Stainless Steel Thickness (mm)	0.8
Finish	Polished
Fitting Style	Undermount
Sealant Strip (Incl./Separate)	N/A
No. Drainers	0
No. Tap Holes	0
Dimensions (mm)	W390 x D450 x H190
Main Bowl Dimensions (mm)	W340 x D400 x H190
Cut out depth (mm)	410
Cut out width (mm)	350
Minimum cabinet width (mm)	400
Main Bowl Radius (mm)	25
Drainer (RH/LH)	No Drainer
Reversible	No
Accessories (included)	Waste, overflow, clips & Cut out guide
Accessories (optional)	CPR106 Plumbing kit
Waste disposer compatible	Yes
Boxed/Sleeved packaging	Boxed
Guarantee	20 Years