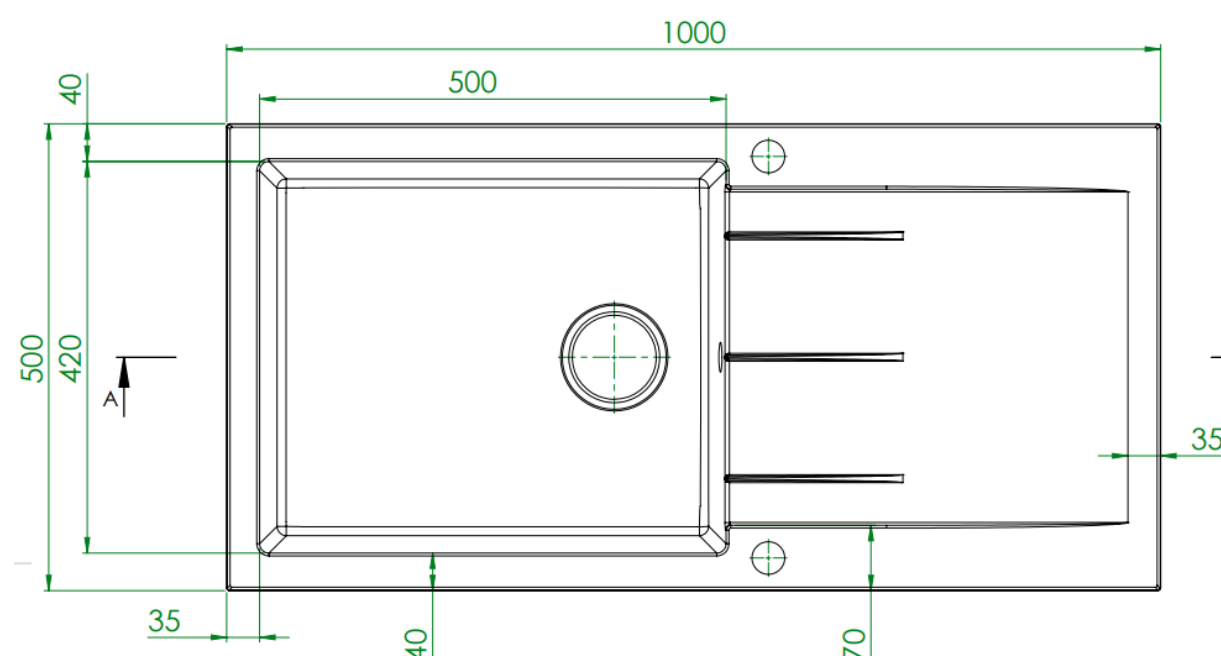


Product Data Sheet



Prima Code	CPR318
Description	Prima+ Granite 1B & Drainer Inset Sink
Colour	Black
Material	Granite
Finish	Matt
Fitting Style	Inset
Sealant Strip (Incl./Separate)	Separate
No. Drainers	1
No. Tap Holes	Reversible, part pre drilled
Features	Extra deep bowl Scratch resistant Stain resistant
Dimensions (mm)	W 1000 x D 500 x H 203
Main Bowl Dimensions (mm)	W 495 x D 415 x H 203
Cut out depth (mm)	480
Cut out width (mm)	980
Minimum cabinet width (mm)	600
Main Bowl Radius (mm)	8
Half Bowl Radius (mm)	8
Drainer (RH/LH)	Both
Reversible	Yes
Accessories (included)	Waste, overflow, plumbing kit, fitting clips & Cut out
Waste disposer compatible	Yes
Boxed/Sleeved packaging	Boxed
Guarantee	20 Years