



Fitting type: Apron front / undermount

Sink handing: Not handed

Finish style: White glaze

- **Min. base unit (mm):** 800
- **Packaged size L x W x D:** 850 x 545 x 280mm
- **Supplied boxed or sleeved:** Boxed
- **Boxed weight:** 41.30 kg
- **Sink only weight:** 36.50 kg

- Durable finest grade fireclay construction throughout
- High capacity bowl volume to accept larger cookware
- Classic elegance, timeless quality
- Hand finished quality
- Practical basket waste supplied

Included parts:



1 x 470411 (m)
Double bowl basket waste with round overflow



1 x AX1009 (m)
1.5 or 2.0 Bowl pipework



1 x AX4037 (m)
Fitting & care instructions & data sheet
- Provincial

Recommended accessories:



1 x AX1011
Tap stabilising bracket

All accessories can be purchased directly from www.abode-shop.co.uk or phone 01226 283434

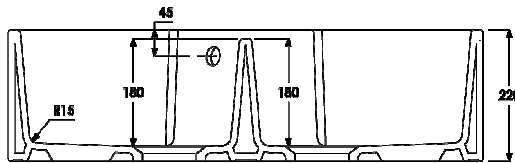
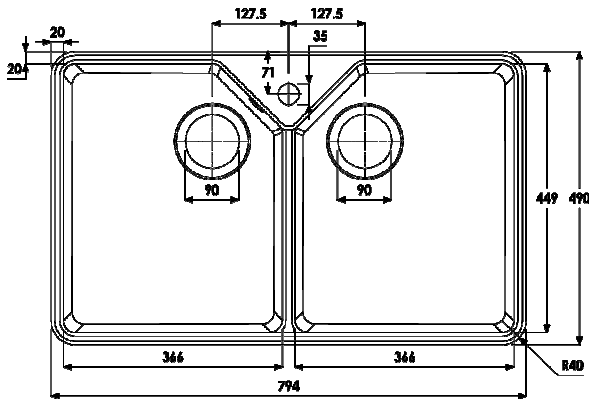
Materials & workmanship warranty summary:

- Sink materials & workmanship 10 years.
- Waste kits 1 year.
- Connecting pipework 1 year.

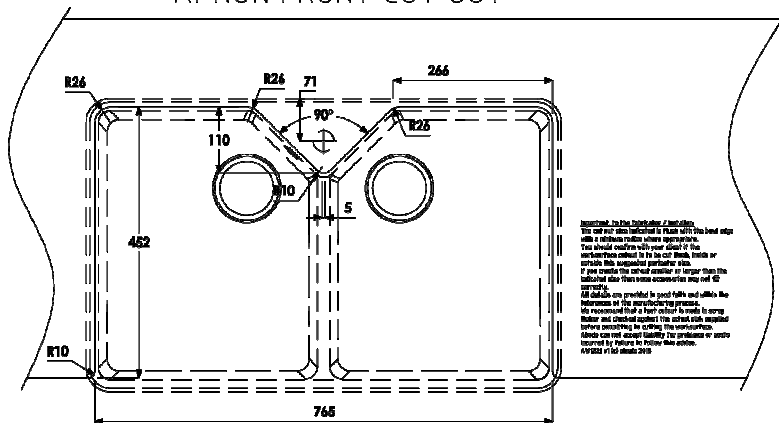
Care instructions summary:

- Clean the products regularly using soapy water and a non-abrasive cloth, regular cleaning will prevent the build-up of lime scale and dirt.
- Avoid contact with corrosive or abrasive substances.
- After cleaning rinse thoroughly with clean water then dry.
- For more detail see supplied booklet or www.abodedesigns.co.uk

Product dimensions and installation information: note:  symbol indicates position of acoustic pad on stainless products.



APRON FRONT CUT OUT

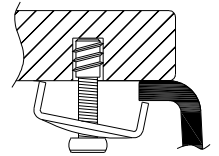


Important: In the preparation of workpieces, the cut out must be indicated to flush with the bowl edge with a minimum radius where appropriate. You should confirm with your client if the workpiece is to be cut flush, inside or outside the suggested perimeter. If you create the cut out smaller or larger than the indicated size then some accessories may not fit correctly. All details are provided in good faith and within the tolerances of the manufacturing process. We recommend that a test cutout is made to verify that the cut out is correct. The manufacturer is not responsible for any damage or injury caused by failure to follow the advice. AW1021 of 10/06/2022



***Important, fabricator / installer notes for undermount & Flushmount sinks:**

The cut out size indicated is aligned with outside edge of the bowl top radius (similar to the example below).



You should confirm with your client if the worksurface cutout is to be cut flush, inside or outside this suggested perimeter shape & size.

If you create the cutout smaller or larger than the indicated size then the fit of the accessories may be affected and should be physically checked.

General:

All details are provided in good faith but do not include the tolerances of the material or manufacturing process.

We request that a test cutout is made in scrap timber and checked against the actual sink to be installed before committing to cutting the final worksurface.

Abode can not accept liability for problems or costs incurred by failure to follow this request.

Note: the dimensions on ceramic fireclay products are subject to wider tolerances due to the nature of this natural material and the firing process.

CAD cutout files can be downloaded from www.abodedesigns.co.uk

Additional notes: Ceramic is a natural hand finished material, you should expect variances in product finishes and sizes
Overall product size: 794 x 490 x 220, corner radius 40 mm

Tap hole(s) detail: 1 x Ø 35mm, pre-cut

Waste hole(s) detail (mm): 90 / /

Min. base unit (mm) (refers to space required for bowl, tap and overflow only): fits 800 carcass

Min. Recessed fitting width (mm): required (bowl(s), tap and overflow: n/a

***Worktop cut out size (mm):** 765 x 452, corner radius 26, for .DXF cut files please see our website

Min. & Max worktop depth or clip depth reach range (mm): 0 - 0

Fitting temple supplied? No, use cut out instructions as supplied

Dishwasher under drainer? Distance from top of worktop to underside of the drainer n/a mm

Bowl details: (sizes in mm unless specified otherwise)

Bowl 1 (typically main bowl):

Bowl 1 size L x W x D (mm): 449 x 366 x 180

Bowl 1 construction: Moulded, 12.00 mm

Bowl 1 floor radius (mm): 15

Bowl 1 Wastehole diameter (mm): 90

Bowl 1 overflow: Circular, 30mm diameter

Bowl 1 texture: White glaze

Bowl 1 apx. volume (litres): 20.10

Bowl 2 (typically 1/2 or 3/4 bowl):

Bowl 2 size L x W x D (mm): 449 x 366 x 180

Bowl 2 construction: , 12.00 mm

Bowl 2 floor radius (mm):

Bowl 2 Wastehole diameter (mm):

Bowl 2 overflow:

Bowl 2 texture:

Bowl 2 apx. volume (litres): 26.00

Bowl 3:

Bowl 3 size L x W x D (mm): x x

Bowl 3 construction: , mm

Bowl 3 floor radius (mm):

Bowl 3 Wastehole diameter (mm):

Bowl 3 overflow:

Bowl 3 texture:

Bowl 3 apx. volume (litres):

