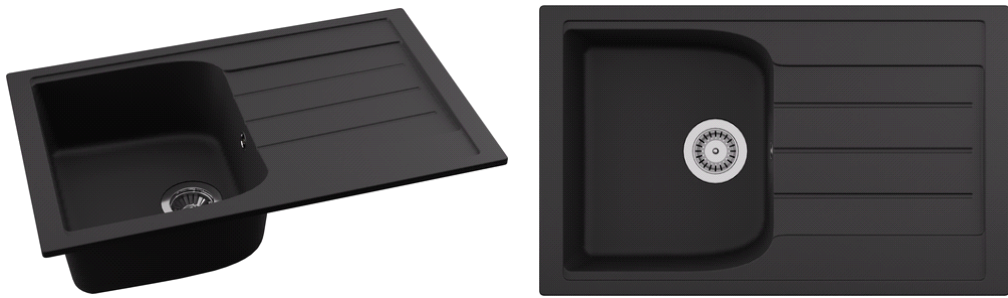


Oriel - 1.0 Bowl & Drainer

Black Metallic Granite




abode

Product Basics:

	Product code	AW3112-1
	EAN 13 barcode	5060344150682
	Specification version	1 09/06/2025
	Finish	Black Metallic Granite
Notes: Repeated release of boiling hot water directly into coloured sinks can in extreme cases cause crazing and even cracking. Therefore we recommend great care is taken not to release the water directly on to the sink surface at full temperature.		

note: model shown may not be displayed in the finish as described

Included parts:

 <p>1 x AX1181 (m) 1x 114mm Basket Waste, Round Overflow, U-shape trap, UK Outlet, Dishwasher connection (1 Bowl)</p>	 <p>1 x AX1033 (m) Composite inset fixing clips x 8</p>	 <p>1 x AX4004 (m) Fitting & care instructions & data sheet - coloured inset</p>		

Recommended parts & accessories:

--	--	--	--	--

Packing summary:

- Packaging Type: Boxed
- Packaged size LxWxD: 920x610x275
- Gross weight (ea): 14.98Kg
- Net weight (ea): Kg

Warranty summary:

Details of warranty duration and terms & conditions for each product type can be found on our website: abodedesigns.co.uk/support/warranty

Certain products may benefit by registering the warranty here: abodedesigns.co.uk/support/register/warranty

Care summary:

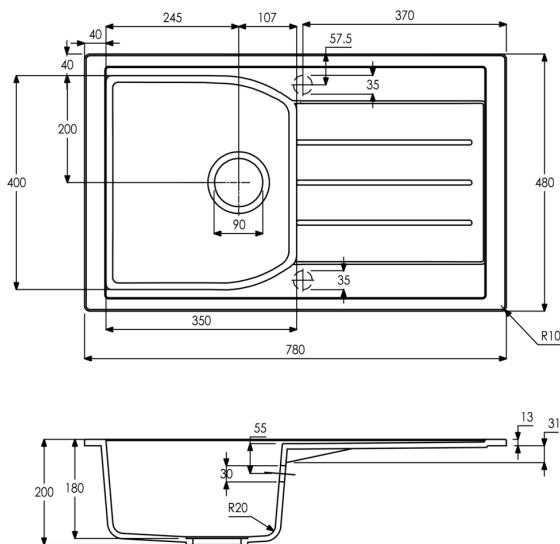
- Clean the products regularly using soapy water and a non-abrasive cloth, regular cleaning will prevent the build-up of lime scale and dirt.
- Regular cleaning will prevent the build-up of lime scale and dirt.
- After cleaning rinse thoroughly with clean water to remove any cleaner residue.
- Avoid contact with any harsh chemical or abrasives, for more detail see supplied booklet or www.abodedesigns.co.uk

Mounting dimensions:

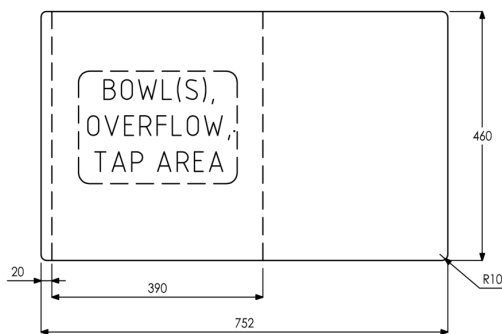
Type of Installation	Installation type recommended?	Recommended minimum base unit mm (20mm wall thickness)	Cut out size (length x width x corner radius mm)	Overall recessed fitting width mm (required for bowl(s), tap hole, overflow)	Minimum – Maximum worktop thickness (mm)	Additional fitting notes
Inset	Yes	450	752 x 460 R10		28 - 45	
Undermount	No					
Apron Front	No					
Flushmount	No					

Product drawing & dimensions:

Overall product size (mm): 780x480x200 corner radius 10



INSET CUT OUT



Attention notes:

We do not recommend use of instant hot water taps for this type of sink, repeated use may prematurely age the sink surface.
Great care is to be taken not to release the water directly on to the sink surface at full temperature.

Bowl & drainer details:	Bowl 1 (typically main bowl):	Bowl 2: (typically ½ or ¾ or 2nd main bowl):	Bowl 3:	Drainer (left)	Drainer (right)
Bowl Size Width x Length x Depth x Radius (mm)	350 x 400 x 180 R10				
Bowl floor radius (mm)	20				
Wastehole diameter (mm)	90				
Overflow type	Circular, 30mm diameter				
Wall thickness (gauge mm)	9			13	
Bowl volume (apx. litres)	16				
Bowl texture / finish	Matt textured				



UK: Norcross Group (Holdings) Ltd. T/A Abode, Ladyfield House, SK9 1BU, UK. info@abodedesigns.co.uk
EU: MIL, Unit 8 Purcellsinch Ind Est, Dublin Road, Kilkenny, R95 HP71, Ireland. euinfo@abode.eu