


# Oriel - 1.5 Bowl & Drainer

Black Metallic Granite




abode

## Product Basics:

	<b>Product code</b>	AW3113-1
	<b>EAN 13 barcode</b>	5060344150699
	<b>Specification version</b>	1 09/06/2025
	<b>Finish</b>	Black Metallic Granite
<b>Notes:</b> Repeated release of boiling hot water directly into coloured sinks can in extreme cases cause crazing and even cracking. Therefore we recommend great care is taken not to release the water directly on to the sink surface at full temperature.		

note: model shown may not be displayed in the finish as described

## Included parts:

 <p>1 x AX1182 (m)</p> <p>2x 114mm Basket Waste, Round Overflow, U-shape trap, UK Outlet, Dishwasher connection (2 Bowl)</p>	 <p>1 x AX1033 (m)</p> <p>Composite inset fixing clips x 8</p>	 <p>1 x AX4004 (m)</p> <p>Fitting &amp; care instructions &amp; data sheet - coloured inset</p>		

## Recommended parts & accessories:

--	--	--	--	--

## Packing summary:

- Packaging Type: Boxed
- Packaged size LxWxD: 1100x600x300
- Gross weight (ea): 19.66Kg
- Net weight (ea): Kg

## Warranty summary:

Details of warranty duration and terms & conditions for each product type can be found on our website: [abodedesigns.co.uk/support/warranty](http://abodedesigns.co.uk/support/warranty)

Certain products may benefit by registering the warranty here: [abodedesigns.co.uk/support/register/warranty](http://abodedesigns.co.uk/support/register/warranty)

## Care summary:

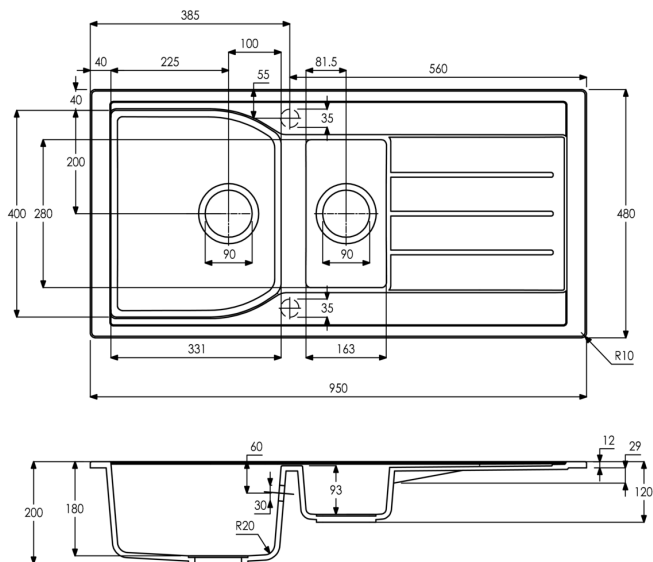
- Clean the products regularly using soapy water and a non-abrasive cloth, regular cleaning will prevent the build-up of lime scale and dirt.
- Regular cleaning will prevent the build-up of lime scale and dirt.
- After cleaning rinse thoroughly with clean water to remove any cleaner residue.
- Avoid contact with any harsh chemical or abrasives, for more detail see supplied booklet or [www.abodedesigns.co.uk](http://www.abodedesigns.co.uk)

## Mounting dimensions:

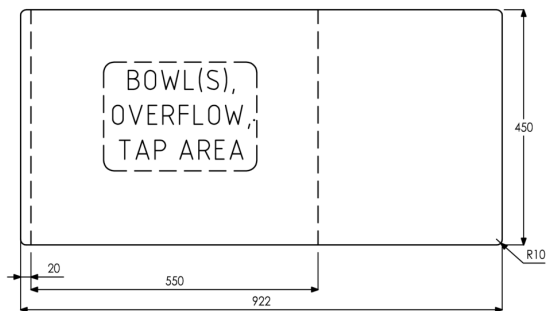
Type of Installation	Installation type recommended?	Recommended minimum base unit mm (20mm wall thickness)	Cut out size (length x width x corner radius mm)	Overall recessed fitting width mm (required for bowl(s), tap hole, overflow)	Minimum – Maximum worktop thickness (mm)	Additional fitting notes
Inset	Yes	600	922 x 450 R10		30 - 45	
Undermount	No					
Apron Front	No					
Flushmount	No					

**Product drawing & dimensions:**

Overall product size (mm): 950x480x200 corner radius 10



**INSET CUT OUT**



**Attention notes:**

We do not recommend use of instant hot water taps for this type of sink, repeated use may prematurely age the sink surface.  
Great care is to be taken not to release the water directly on to the sink surface at full temperature.

<b>Bowl &amp; drainer details:</b>	<b>Bowl 1</b> (typically main bowl):	<b>Bowl 2:</b> (typically ½ or ¾ or 2nd main bowl):	<b>Bowl 3:</b>	<b>Drainer (left)</b>	<b>Drainer (right)</b>
<b>Bowl Size</b> Width x Length x Depth x Radius (mm)	331 x 400 x 180 R10	163 x 280 x 93 R10			
<b>Bowl floor radius (mm)</b>	20	10			
<b>Wastehole diameter (mm)</b>	90	90			
<b>Overflow type</b>	Circular, 30mm diameter				
<b>Wall thickness (gauge mm)</b>	9	9		12	
<b>Bowl volume (apx. litres)</b>	16	3.9			
<b>Bowl texture / finish</b>	Matt textured				



UK: Norcross Group (Holdings) Ltd. T/A Abode, Ladyfield House, SK9 1BU, UK. info@abodedesigns.co.uk  
EU: MIL, Unit 8 Purcellsinch Ind Est, Dublin Road, Kilkenny, R95 HP71, Ireland. euinfo@abode.eu

09/06/2025 - This sheet is a summary of the product information full details are available on request, errors & omissions excepted. © www.abodedesigns.co.uk