

Product Finish: **Antique Brass**

Product code: **AT1028**
 EAN13 barcode: **5060048380279**



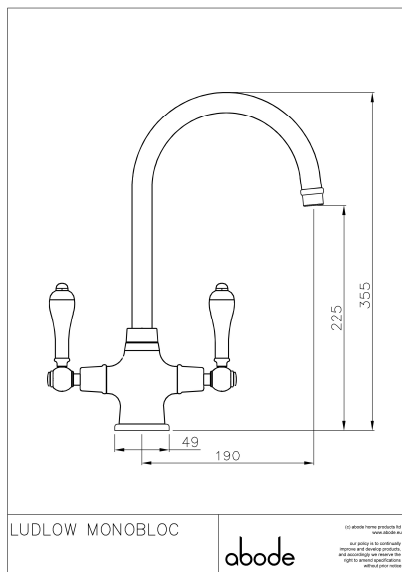
Product features:

- Metal & acrylic handle construction
- Custom designed for lower to mid pressures
- Elegant retro design form
- Quarter turn handle action for precise flow control
- Antisplash spout supplied as standard

Additional information / Parts included:

Note: the image shown may not reflect the product finish, chrome finish is typically depicted.

Product dimensions:



- Overall Height / projection:** 355 mm
- Exit reach:** 190 mm
- Exit height:** 225 mm
- Centre distance(s):**

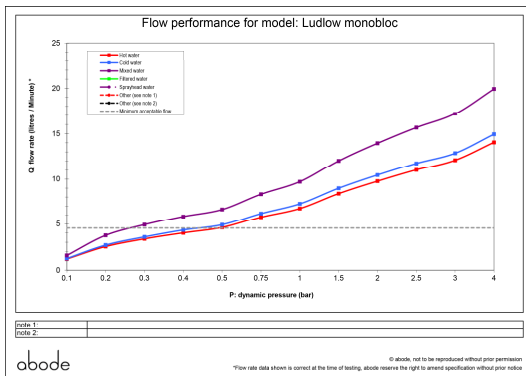
- Base diameter(s):** 49 mm
- Recommended hole diameter:** Ø 35 mm
- Max. surface depth:** 25 mm

- Spout diameter:** 22 mm
- Spout aerator size:** 22f

Packaged properties:

- Box length:** 420mm
- Box depth:** 75mm
- Box width:** 240mm
- Units per outer:** 5
- Tap only weight:** 1.49kg
- Boxed weight:** 1.98kg

Product flow characteristics:



- Min / Max water pressure:** 0.30 / 5.50 bar
- Recommended / Max water temperature:** 46°C / 70°C
- Part G - Mixed flow rate at 3 bar (litres / min):** 17.17

- Control valve type:** Ceramic disc QT
- Product flow characteristics:** Dual flow
- Non return valve(s):** No, none required

- Aerator type:** Plastic mesh diffuser
- Accepts revolve / spray areator:** Yes
- Spout connection method:** Locking collar

- Tail pipe inlet / outlet size:** M12 / 1/2" BSP Female
- Inlet pipe type / length:** flexible stainless braided hose / 250 mm

Care instructions summary:

- Clean the mixers and showers regularly as required, using soap, do not use any other cleaners.
- Regular cleaning will prevent the build-up of lime scale and dirt
- After cleaning rinse thoroughly with clean water to remove any cleaner residue
- Residues of sink & worktop cleaners can also cause damage, so rinse with clean water after using, avoid contact with any abrasives

Warranty Summary (Full details available on request):

- Materials and workmanship defects warranted for 5 years
- Valves and working parts warranted for 5 years
- Surface warranty defects warranted for 1 year
- O-rings, hoses & gaskets warranted for 1 year