



Fitting type: Inset

Sink handing: Reversible

Finish style: White glaze

- **Min. base unit (mm):** 600
- **Packaged size L x W x D:** 1050 x 565 x 265mm
- **Supplied boxed or sleeved:** Boxed
- **Boxed weight:** 30.10 kg
- **Sink only weight:** 25.10 kg

- Durable finest grade fireclay construction throughout
- High capacity bowl volume to accept larger cookware
- Reversible drainer position for maximum flexibility
- Hand finished quality
- Easy clean bowl curves

Included parts:



1 x 473811 (m)
One bowl basket waste with round overflow



1 x AX4002 (m)
Fitting & care instructions & data sheet - ceramic inset



1 x AX1008
1.0 Bowl pipework

Recommended accessories:



1 x AX1011
Tap stabilising bracket


All accessories can be purchased directly from www.abode-shop.co.uk or phone 01226 283434

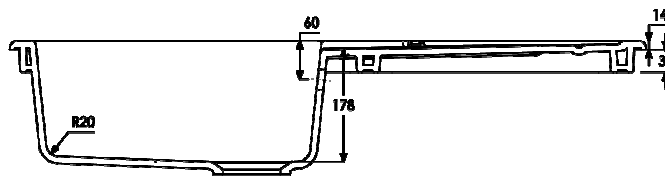
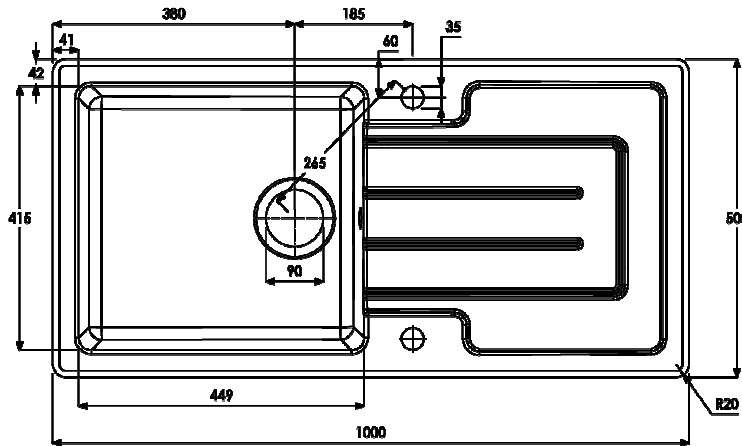
Materials & workmanship warranty summary:

- Sink materials & workmanship 10 years.
- Waste kits 1 year.
- Connecting pipework 1 year.

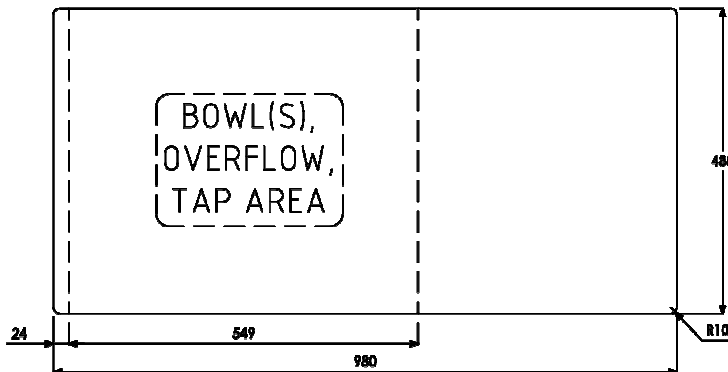
Care instructions summary:

- Clean the products regularly using soapy water and a non-abrasive cloth, regular cleaning will prevent the build-up of lime scale and dirt.
- Avoid contact with corrosive or abrasive substances.
- After cleaning rinse thoroughly with clean water then dry.
- For more detail see supplied booklet or www.abodedesigns.co.uk

Product dimensions and installation information: note:  symbol indicates position of acoustic pad on stainless products.



INSET CUT OUT



Additional notes: Ceramic is a natural hand finished material, you should expect variances in prodcut finishes and sizes
Overall product size: 1000 x 500 x 210, corner radius 20 mm

Taphole(s) detail: 2 x Ø 35mm, Part depth cut on rear

Wastehole(s) detail (mm): 90 / N/A / N/A

Min. base unit (mm) (refers to space required for bowl, tap and overflow only): fits 600 carcass

Min. Recessed fitting width (mm): required (bowl(s), tap and overflow: 518

***Worktop cut out size (mm):** 980 x 480, corner radius 10, for .DXF cut files please see our website

Min. & Max worktop depth or clip depth reach range (mm): 0 - 0

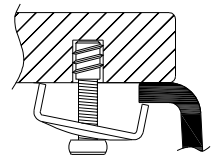
Fitting temple supplied? No, use cut out instructions as supplied. Note worktop must be >= 35mm to fit 600mm base unit.

Dishwasher under drainer? Distance from top of worktop to underside of the drainer 35 mm



***Important, fabricator / installer notes for undermount & Flushmount sinks:**

The cut out size indicated is aligned with outside edge of the bowl top radius (similar to the example below).



You should confirm with your client if the worksurface cutout is to be cut flush, inside or outside this suggested perimeter shape & size.

If you create the cutout smaller or larger than the indicated size then the fit of the accessories may be affected and should be physically checked.

General:

All details are provided in good faith but do not include the tolerances of the material or manufacturing process.

We request that a test cutout is made in scrap timber and checked against the actual sink to be installed before committing to cutting the final worksurface.

Abode can not accept liability for problems or costs incurred by failure to follow this request.

Note: the dimensions on ceramic fireclay products are subject to wider tolerances due to the nature of this natural material and the firing process.

CAD cutout files can be downloaded from www.abodedesigns.co.uk

Bowl details: (sizes in mm unless specified otherwise)

Bowl 1 (typically main bowl):

Bowl 1 size L x W x D (mm): 449 x 415 x 178

Bowl 1 construction: Moulded, 12.00 mm

Bowl 1 floor radius (mm): 20

Bowl 1 Wastehole diameter (mm): 90

Bowl 1 overflow: Circular, 30mm diameter

Bowl 1 texture: White glaze

Bowl 1 apx. volume (litres): 28.00

Bowl 2 (typically 1/2 or 3/4 bowl):

Bowl 2 size L x W x D (mm): N/A x N/A x N/A

Bowl 2 construction: N/A, N/A mm

Bowl 2 floor radius (mm): N/A

Bowl 2 Wastehole diameter (mm): N/A

Bowl 2 overflow: N/A

Bowl 2 texture: N/A

Bowl 2 apx. volume (litres): N/A

Bowl 3:

Bowl 3 size L x W x D (mm): N/A x N/A x N/A

Bowl 3 construction: N/A, N/A mm

Bowl 3 floor radius (mm): N/A

Bowl 3 Wastehole diameter (mm): N/A

Bowl 3 overflow: N/A

Bowl 3 texture: N/A

Bowl 3 apx. volume (litres): N/A

