



Fitting type: Inset

Sink handing: Reversible

Finish style: White glaze

- **Min. base unit (mm):** 450
- **Packaged size L x W x D:** 880 x 560 x 250mm
- **Supplied boxed or sleeved:** Boxed
- **Boxed weight:** 29.49 kg
- **Sink only weight:** 27.60 kg

- Durable finest grade fireclay construction throughout
- Compact sink designed to complement smaller kitchens
- Reversible drainer position for maximum flexibility
- Easy clean bowl curves
- Practical basket waste supplied

Included parts:



1 x AX1065 (m)
1 x 90mm std bsw, & pipework, 1 x
bsw and round overflow - long bolt



1 x AX1059 (m)
Ceramic sink tap hole blanking plug



1 x AX4002 (m)
Fitting & care instructions & data sheet
- ceramic inset

Recommended accessories:



1 x AX1011
Tap stabilising bracket


All accessories can be purchased directly from www.abode-shop.co.uk or phone 01226 283434

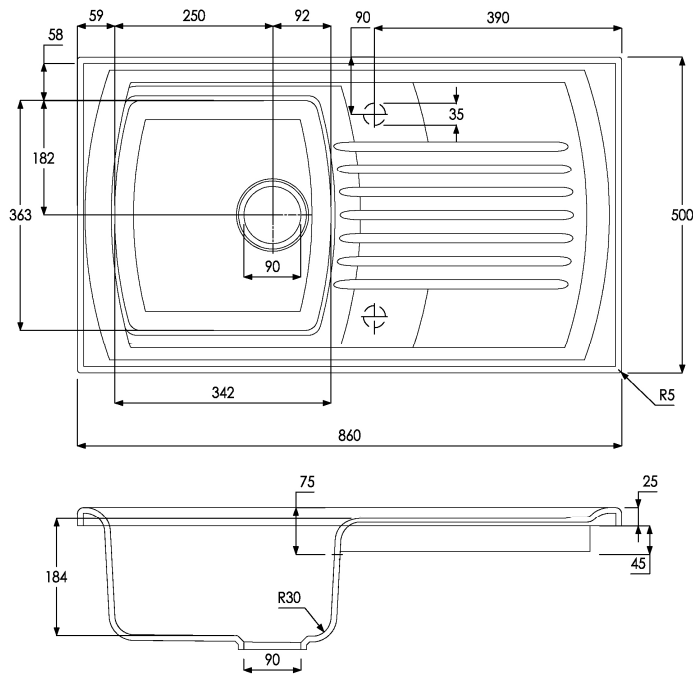
Materials & workmanship warranty summary:

- Sink materials & workmanship 10 years.
- Waste kits 1 year.
- Connecting pipework 1 year.

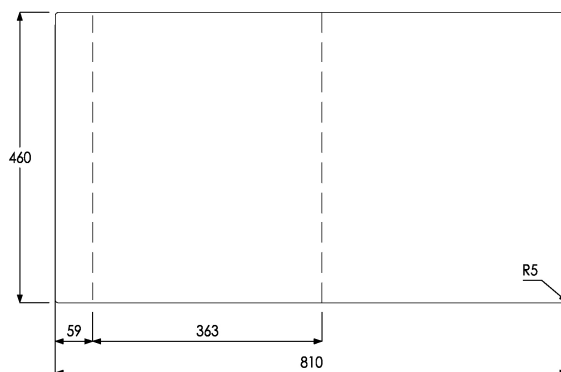
Care instructions summary:

- Clean the products regularly using soapy water and a non-abrasive cloth, regular cleaning will prevent the build-up of lime scale and dirt.
- Avoid contact with corrosive or abrasive substances.
- After cleaning rinse thoroughly with clean water then dry.
- For more detail see supplied booklet or www.abodedesigns.co.uk

Product dimensions and installation information: note:  symbol indicates position of acoustic pad on stainless products.



INSET CUT OUT



Additional notes: Ceramic is a natural hand finished material, you should expect variances in product finishes and sizes
Overall product size: 860 x 500 x 220, corner radius 5 mm

Taphole(s) detail: 2 x Ø 35mm, pre-cut

Wastehole(s) detail (mm): 90 / N/A / N/A

Min. base unit (mm) (refers to space required for bowl, tap and overflow only): fits 450 carcass

Min. Recessed fitting width (mm): required (bowl(s), tap and overflow: 363

***Worktop cut out size (mm):** 810 x 460, corner radius 5, for .DXF cut files please see our website

Min. & Max worktop depth or clip depth reach range (mm): 0 - 0

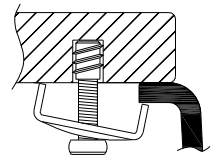
Fitting template supplied? No, use cut out instructions as supplied

Dishwasher under drainer? Distance from top of worktop to underside of the drainer 45.0 mm



*Important, fabricator / installer notes for undermount & Flushmount sinks:

The cut out size indicated is aligned with outside edge of the bowl top radius (similar to the example below).



You should confirm with your client if the worksurface cutout is to be cut flush, inside or outside this suggested perimeter shape & size.

If you create the cutout smaller or larger than the indicated size then the fit of the accessories may be affected and should be physically checked.

General:

All details are provided in good faith but do not include the tolerances of the material or manufacturing process.

We request that a test cutout is made in scrap timber and checked against the actual sink to be installed before committing to cutting the final worksurface.

Abode can not accept liability for problems or costs incurred by failure to follow this request.

Note: the dimensions on ceramic fireclay products are subject to wider tolerances due to the nature of this natural material and the firing process.

CAD cutout files can be downloaded from www.abodedesigns.co.uk

Bowl details: (sizes in mm unless specified otherwise)

Bowl 1 (typically main bowl):

Bowl 1 size L x W x D (mm): 363 x 342 x 184

Bowl 1 construction: Moulded, 10.00 mm

Bowl 1 floor radius (mm): 30

Bowl 1 Wastehole diameter (mm): 90

Bowl 1 overflow: Circular, 30mm diameter

Bowl 1 texture: White glaze

Bowl 1 apx. volume (litres): 14.40

Bowl 2 (typically 1/2 or 3/4 bowl):

Bowl 2 size L x W x D (mm): N/A x N/A x N/A

Bowl 2 construction: N/A, N/A mm

Bowl 2 floor radius (mm): N/A

Bowl 2 Wastehole diameter (mm): N/A

Bowl 2 overflow: N/A

Bowl 2 texture: N/A

Bowl 2 apx. volume (litres): N/A

Bowl 3:

Bowl 3 size L x W x D (mm): N/A x N/A x N/A

Bowl 3 construction: N/A, N/A mm

Bowl 3 floor radius (mm): N/A

Bowl 3 Wastehole diameter (mm): N/A

Bowl 3 overflow: N/A

Bowl 3 texture: N/A

Bowl 3 apx. volume (litres): N/A

