



Fitting type: Undermount

Sink handing: Not handed

Finish style: Grey metallic granite

- **Min. base unit (mm):** 800
- **Packaged size L x W x D:** 920 x 615 x 280mm
- **Supplied boxed or sleeved:** Boxed
- **Boxed weight:** 21.94 kg
- **Sink only weight:** 16.00 kg

- Durable matt finish granite composite construction throughout
- Softened square edges for a sharp but easy clean look
- Smooth lined luxury Orbit waste supplied as standard
- Sleek brushed metal 'hidden' orbit overflow design
- Deep bowl(s) to accept larger cookware

Included parts:



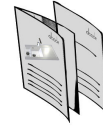
2 x AX1002 (m)
90mm (1.5") Orbit manual basket
strainer waste - long bolt



1 x AX1007 (m)
Round overflow pipework



1 x AX1009 (m)
1.5 or 2.0 Bowl pipework



1 x AX4041 (m)
Fitting & care instructions & data sheet
- Composite undermount



1 x AX1053 (m)
8 x Composite undermount clips, insert
& 25mm bolt

Recommended accessories:



1 x AX1011
Tap stabilising bracket


All accessories can be purchased directly from www.abode-shop.co.uk or phone 01226 283434

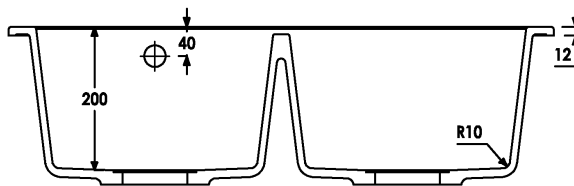
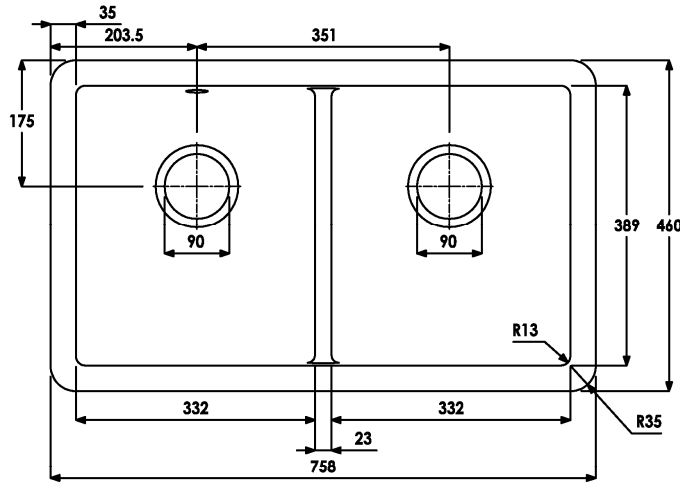
Materials & workmanship warranty summary:

- Sink materials & workmanship 10 years.
- Waste kits 1 year.
- Connecting pipework 1 year.

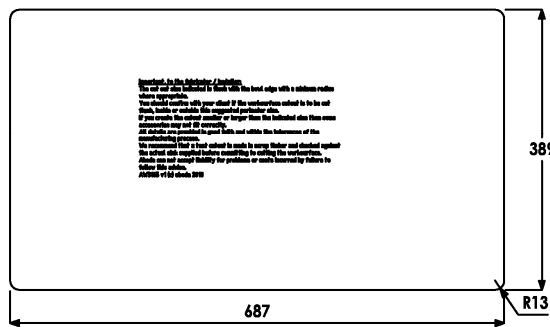
Care instructions summary:

- Clean the products regularly using soapy water and a non-abrasive cloth, regular cleaning will prevent the build-up of lime scale and dirt.
- Avoid contact with corrosive or abrasive substances.
- After cleaning rinse thoroughly with clean water then dry.
- For more detail see supplied booklet or www.abodedesigns.co.uk

Product dimensions and installation information: note:  symbol indicates position of acoustic pad on stainless products.



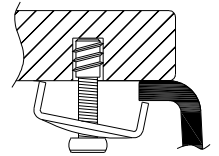
UNDERMOUNT CUT OUT



Important to the fabricator/installer:
The cut out must be cut flush with the work surface with a radius of 13mm.
If you create the cutout smaller or larger than the indicated size then the fit of the accessories may be affected and should be physically checked.
The manufacturer will not accept liability for problems or costs incurred by failure to follow this request.

***Important, fabricator / installer notes for undermount & Flushmount sinks:**

The cut out size indicated is aligned with outside edge of the bowl top radius (similar to the example below).



You should confirm with your client if the worksurface cutout is to be cut flush, inside or outside this suggested perimeter shape & size.

If you create the cutout smaller or larger than the indicated size then the fit of the accessories may be affected and should be physically checked.

General:

All details are provided in good faith but do not include the tolerances of the material or manufacturing process.

We request that a test cutout is made in scrap timber and checked against the actual sink to be installed before committing to cutting the final worksurface.

Abode can not accept liability for problems or costs incurred by failure to follow this request.

Note: the dimensions on ceramic fireclay products are subject to wider tolerances due to the nature of this natural material and the firing process.

CAD cutout files can be downloaded from www.abodedesigns.co.uk

Additional notes: Repeated release of boiling hot water directly into coloured sinks can in extreme cases cause crazing and even cracking. Therefore we recommend great care is taken not to release the water directly on to the sink surface at full temperature.

Overall product size: 758 x 460 x 220, corner radius 35 mm

Taphole(s) detail: None

Wastehole(s) detail (mm): 90 / 90 / N/A

Min. base unit (mm) (refers to space required for bowl, tap and overflow only): fits 800 carcass

Min. Recessed fitting width (mm): required (bowl(s), tap and overflow: 705

***Worktop cut out size (mm):** 687 x 389, corner radius 13, for .DXF cut files please see our website

Min. & Max worktop depth or clip depth reach range (mm): 0 - 0

Fitting temple supplied? No, use cut out instructions as supplied

Dishwasher under drainer? Distance from top of worktop to underside of the drainer n/a mm

Bowl details: (sizes in mm unless specified otherwise)

Bowl 1 (typically main bowl):

Bowl 1 size L x W x D (mm): 332 x 390 x 200

Bowl 1 construction: Moulded, 10.00 mm

Bowl 1 floor radius (mm): 10

Bowl 1 Wastehole diameter (mm): 90

Bowl 1 overflow: Circular, 30mm diameter

Bowl 1 texture: Matt textured

Bowl 1 apx. volume (litres): 16.80

Bowl 2 (typically 1/2 or 3/4 bowl):

Bowl 2 size L x W x D (mm): 332 x 390 x 200

Bowl 2 construction: Moulded, 10.00 mm

Bowl 2 floor radius (mm): 10

Bowl 2 Wastehole diameter (mm): 90

Bowl 2 overflow: N/A

Bowl 2 texture: Matt textured

Bowl 2 apx. volume (litres): 21.50

Bowl 3:

Bowl 3 size L x W x D (mm): N/A x N/A x N/A

Bowl 3 construction: N/A, N/A mm

Bowl 3 floor radius (mm): N/A

Bowl 3 Wastehole diameter (mm): N/A

Bowl 3 overflow: N/A

Bowl 3 texture: N/A

Bowl 3 apx. volume (litres): N/A

