



Fitting type: Undermount

Sink handing: Left hand main bowl

Finish style: Brushed steel

- **Min. base unit (mm):** 600
- **Packaged size L x W x D:** 710 x 595 x 270mm
- **Supplied boxed or sleeved:** Boxed
- **Boxed weight:** 6.55 kg
- **Sink only weight:** 2.88 kg

- Durable 304 stainless steel construction throughout
- Light brushed steel texture
- Premium quality handed design
- Easy clean bowl curves
- Smooth lined luxury Orbit waste supplied as standard

Included parts:



2 x AX1001 (m)
90mm (1.5") Orbit manual basket
strainer waste - short bolt



1 x AX1006 (m)
Rectangular overflow pipework



1 x AX1009 (m)
1.5 or 2.0 Bowl pipework



1 x AX4001 (m)
Fitting & care instructions & data sheet
- st/st undermount



2 x AX1017
Undermount fixing clips x 4

Recommended accessories:



1 x AX1011
Tap stabilising bracket


All accessories can be purchased directly from www.abode-shop.co.uk or phone 01226 283434

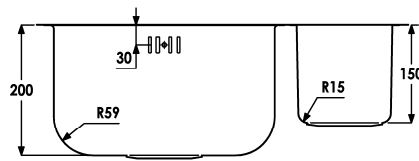
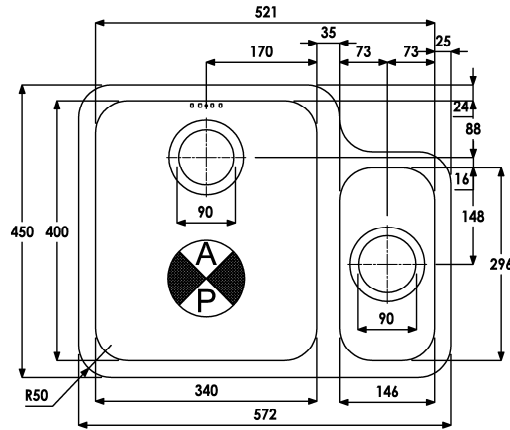
Materials & workmanship warranty summary:

- Sink materials & workmanship 10 years.
- Waste kits 1 year.
- Connecting pipework 1 year.

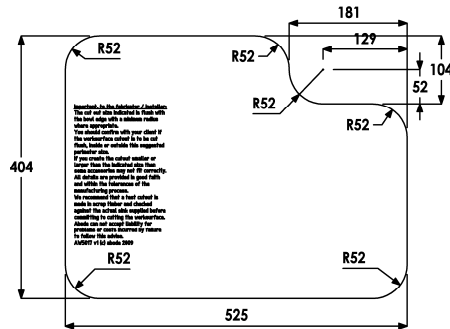
Care instructions summary:

- Clean the products regularly using soapy water and a non-abrasive cloth, regular cleaning will prevent the build-up of lime scale and dirt.
- Avoid contact with corrosive or abrasive substances.
- After cleaning rinse thoroughly with clean water then dry.
- For more detail see supplied booklet or www.abodedesigns.co.uk

Product dimensions and installation information: note:  symbol indicates position of acoustic pad on stainless products.



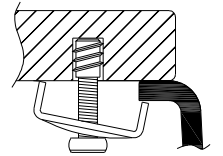
UNDERMOUNT CUT OUT



Important: In the fabrication calculation the cut out size indicated in this sheet is the total size with a minimum radius. Work accordingly. The actual cutout size with your client of the worktop should be 10 to 15 mm of this, depending on the material and the type of worktop. It is important to check the dimensions of the worktop before cutting. It is recommended that a test cutout is made in scrap timber and checked against the actual cutout dimensions. Please note that the dimensions of the worktop may vary slightly from the dimensions of the worktop. Always check the dimensions of the worktop before cutting. Always check the dimensions of the worktop before cutting.

*Important, fabricator / installer notes for undermount & Flushmount sinks:

The cut out size indicated is aligned with outside edge of the bowl top radius (similar to the example below).



You should confirm with your client if the worksurface cutout is to be cut flush, inside or outside this suggested perimeter shape & size.

If you create the cutout smaller or larger than the indicated size then the fit of the accessories may be affected and should be physically checked.

General:

All details are provided in good faith but do not include the tolerances of the material or manufacturing process.

We request that a test cutout is made in scrap timber and checked against the actual sink to be installed before committing to cutting the final worksurface.

Abode can not accept liability for problems or costs incurred by failure to follow this request.

Note: the dimensions on ceramic fireclay products are subject to wider tolerances due to the nature of this natural material and the firing process.

CAD cutout files can be downloaded from www.abodedesigns.co.uk

Additional notes: Important: Please check cut out details carefully before cutting worktops, size shown is flush to bowl edge
Overall product size: 572 x 450 x 205, corner radius 50 mm

Taphole(s) detail: None

Wastehole(s) detail (mm): 90 / 90 / N/A

Min. base unit (mm) (refers to space required for bowl, tap and overflow only): fits 600 carcass

Min. Recessed fitting width (mm): required (bowl(s), tap and overflow: 521

***Worktop cut out size (mm):** 525 x 404, corner radius 52, for .DXF cut files please see our website

Min. & Max worktop depth or clip depth reach range (mm): 0 - 5

Fitting temple supplied? No, use cut out instructions as supplied

Dishwasher under drainer? Distance from top of worktop to underside of the drainer N/A mm

Bowl details: (sizes in mm unless specified otherwise)

Bowl 1 (typically main bowl):

Bowl 1 size L x W x D (mm): 340 x 400 x 200

Bowl 1 construction: Welded, 0.70 mm

Bowl 1 floor radius (mm): 59

Bowl 1 Wastehole diameter (mm): 90

Bowl 1 overflow: Slotted, barcode pattern

Bowl 1 texture: Brushed stainless

Bowl 1 apx. volume (litres): 20.30

Bowl 2 (typically 1/2 or 3/4 bowl):

Bowl 2 size L x W x D (mm): 146 x 296 x 150

Bowl 2 construction: N/A, 0.70 mm

Bowl 2 floor radius (mm): 15

Bowl 2 Wastehole diameter (mm): 90

Bowl 2 overflow: N/A

Bowl 2 texture: N/A

Bowl 2 apx. volume (litres): 6.10

Bowl 3:

Bowl 3 size L x W x D (mm): N/A x N/A x N/A

Bowl 3 construction: N/A, N/A mm

Bowl 3 floor radius (mm): N/A

Bowl 3 Wastehole diameter (mm): N/A

Bowl 3 overflow: N/A

Bowl 3 texture: N/A

Bowl 3 apx. volume (litres): N/A

