

PROPURE

Installation Guide



www.proboil.co.uk

See top of boiler for contact details

① Please read these instructions carefully before installation or use and retain for future reference.

① You must install the tap and filter before the boiler.

We have a policy of continued product and quality development and improvement. Accordingly we reserve the right to amend the specification at any time. All errors and omissions excepted.



An information point or tip for installation or usage.



A service, maintenance or care consideration.



A technical or safety consideration or warning of hazardous situation with regard to life and property.

Using the product

Thank you for choosing this product. Reading this guide will ensure that the product is used safely and will give its best performance.



WARNING: THIS APPLIANCE CAN BE USED BY CHILDREN AGED FROM 8 YEARS AND ABOVE AND PERSONS WITH REDUCED PHYSICAL, SENSORY OR MENTAL CAPABILITIES OR LACK OF EXPERIENCE AND KNOWLEDGE ONLY IF THEY HAVE BEEN GIVEN SUPERVISION OR INSTRUCTION CONCERNING USE OF THE APPLIANCE IN A SAFE WAY AND HAVE UNDERSTOOD THE HAZARDS INVOLVED. CHILDREN SHALL NOT PLAY WITH THE APPLIANCE. CLEANING AND USER MAINTENANCE SHALL NOT BE MADE BY CHILDREN. ALL WIRING AND INSTALLATION MUST BE SUPERVISED BY A SUITABLY QUALIFIED PERSON.



Please also fully read and understand the boiler user instructions before use.



It is normal for the hot water to take a moment to both dispense upon each use and stop fully after the handle is closed as water remains within the product.



The 98°C handle is also supplied with a red plastic safety clip which prevents the handle lock from opening when clipped under the operating lever.



Do not add to, exchange or modify any component of the boiler or mixer tap, only genuine parts must be used. The spout exit or any part of the system must not include any additional third-party adaptors, components or connections that will add resistance or modify the system.



The installation should be periodically checked for damage, if the property is left unattended for a prolonged period we recommend isolating water supplies and switching off the boiler at the mains socket. On reconnection flush thoroughly.



Clean the tap with a damp soft cloth and a mild dish soap to remove any grease marks created during installation as per the care instructions.



Each time the product is used you should flush a small amount of boiled water through before use, typically this can be used to preheat your cup, if unused for extended periods then flush the product a longer time.

Your tap can dispense 4 types of water:

- **Cold (filtered) water** – This is delivered when the left side handle is rotated backwards up to a maximum of apx. 45° (Fig 1).
- **Hot (boiled & filtered) water** Fully push the left side handle lever down (Fig 2.) and then simultaneously turn the handle forwards (Fig 3.), the further forwards the lever is turned the greater the flow up to a maximum of apx. 45°. It is normal for the hot water to take a moment to start and stop dispensing as the water empties from the product after use.
- **Hot & Cold (domestic) water** – Mixed water is delivered when the right-side handle is tilted right (Fig. 4). With the handle tilted Cold water is delivered when pushed backwards, and Hot is delivered when pulled forwards.

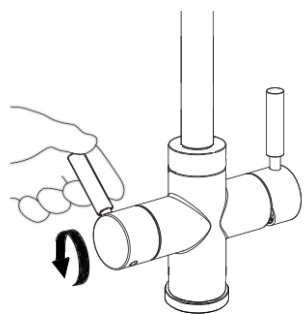


Fig 1.

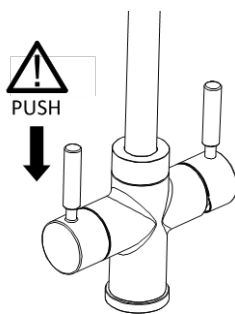


Fig 2.

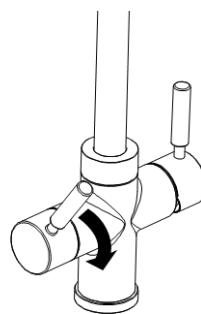


Fig 3.

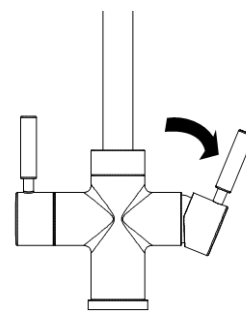


Fig 4.

Using the Professional product:


Hot & Cold (domestic) and cold (filtered) water spray feature:

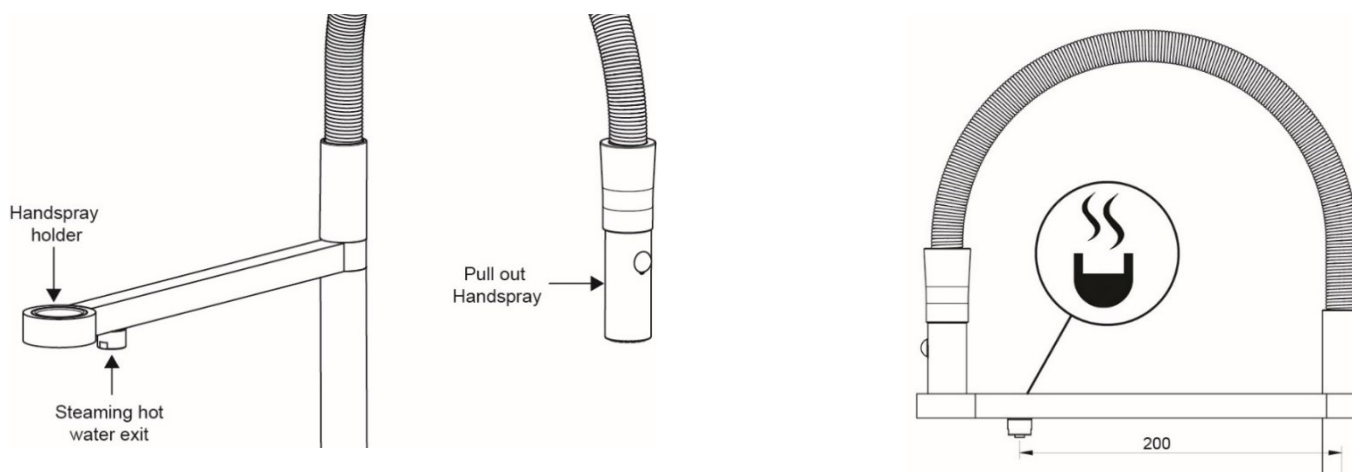
The Pronteau Professional 4 in 1 tap has an added spray feature which can be switched on and off using the button on the hand spray and self-cancels when the handle is closed, the hand spray can also be pulled out of its holder and be rotated 360 degrees.

Boiled & filtered water:

⚠ Due to the unique positioning of the boiled water exit, attention and care must be taken to keep your hands clear of the boiled water, especially if you are not aware of how the product functions.

The professional spray version of the product dispenses steaming hot water through the spout arm rather than the end of the spout, when dispensing steaming hot water hold your cup under the spout section

marked . All other water types are dispensed through the end of the spout spray head.



Care instructions for your kitchen tap mixer

To maintain the appearance of this tap, ensure that it is regularly cleaned only using a clean, soft damp cloth. A solution of warm water and a mild liquid detergent may be used where necessary, and then the fitting rinsed thoroughly and wiped dry. Any other cleaning action will invalidate your warranty.



Abrasive cleaners, scouring cleaners and acidic cleaners **must not be used** under any circumstances. Avoid contact with all solvents (including chlorinated solvents, ketones or acetones as these may result in surface deterioration or etching). Also avoid contact with any harsh household chemicals such as oven cleaners, drain cleaners, rust removers, paint strippers and toilet bowl cleaners, bar keepers friend or Brasso.



Where the tap has a removable aerator on the spout exit it can be removed and cleaned periodically to maintain optimum flow performance and remove any limescale, when reattaching please **ensure to reconnect the center stem of the aerator to the center spout flexible tube fully**.

Tap Warranty Terms and Conditions

In the unlikely event that you should experience any defect in the materials or workmanship of your new Abode mixer within 5 years of purchase, the purchaser's sole remedy shall be the replacement (at the manufacturer's discretion) of all or any part of the product that is defective. All working parts and valves are guaranteed for a period of 5 years from purchase. Decorative surface finishes and O-rings are guaranteed for 1 year from the date of purchase provided that our advice concerning care has been observed and no scouring agents have been used. This is provided that the mixer or tap has been used for normal domestic purposes and that the care, installation and maintenance instructions have been observed. The warranty extends to the original purchaser only.

Marks, scuffs and scratches caused by improper installation or accidental damage are not covered by this guarantee. Neither are shade variations or any damage or defect caused by incorrect installation or abuse of the fitting.

As we are continuously improving and developing our range of products, finishes & colours, in the event of a valid claim, we may not be able to provide an identical replacement for the defective product throughout the guarantee period. Where an identical product is no longer available, we will supply the nearest equivalent from our then current product range. In assessing your claim, we must be given the opportunity to inspect the product as installed prior to removal. Any product returns must be packaged as received and complete.

No other warranties, express or implied, are made, including merchantability or fitness for a particular purpose. Under no circumstances shall the manufacturer be liable for any loss or damage arising from the purchase, use or inability to use this product, or for any special, indirect, incidental or consequential damages. No liability is accepted for consequential damage to other household fixtures, fittings or furnishings arising from this claim, even if attached to the product. No installer, dealer, agent or employee of Norcros Group (Holdings) Ltd. has the authority to modify the obligations or limitations of this warranty.

Tap installation

Important Technical Data

Minimum operating pressure (hot): 0.5 bar (model without spray head only) or 1.2 bar (professional spray head model only)	Minimum operating pressure (cold): 1.5 bar
Maximum operating pressure: 5.5 bar*	Maximum domestic hot water temperature: 60°C*
Flow characteristics: Domestic Hot, Cold & filtered cold share outer single flow spout. Boiled filtered water: Through centre spout channel.	Recommended domestic hot water Temperature: 46°C



*If these temperatures or pressures are exceeded, even for short periods, damage can result. In these instances, a thermostatic mixing or pressure reducing valve should be installed.



This product is manufactured in accordance with recognised European standards. Please ensure that your kitchen mixer is fitted in accordance with Local Water Byelaws. **Where hot and cold water mix within the tap, then suitable non return (check) valves should be installed to both the hot and cold supplies to prevent backflow**, a preinstalled non return valve on the cold supply flexi hose (F1) is already supplied (see instructions key).



Hot and cold supply pressures should be as closely balanced as possible for best results. Supply pipes should maintain the maximum diameter until immediately before the fitting. The differential between the hot and cold water supply temperatures should be sufficient to allow correct mixing function.



These installation guidelines have been prepared for your direction and you must exercise due care at all times. We do not accept responsibility for problems that may occur through improper installation. Whilst assembling the tap take care not to accidentally loosen any factory fixed assemblies.

This tap has been 100% assembly tested; therefore you may expect a small residual amount of water to remain in the tap when delivered. Any water marks can be removed using the care advice.

Installation Preparation

⚠️ You must install the mixertap and filter before the boiler.

⚠️ Before installing the new mixer it is essential that you thoroughly **flush through the supply pipes** in order to remove any remaining solder, swarf or impurities from your system. Failure to carry out this simple procedure could cause problems or damage to the workings of the mixertap or boiler.

🔧 We recommend installing particle filters (not shown) and isolation valves (B5) to both the hot and cold feed pipes in an accessible position. This will help to prevent premature failure of the valves and ease any future maintenance.

⚠️ Ensure you have suitable domestic hot and cold water pressure before installing this product (see technical data).

ℹ️ All parts should be removed from their packaging and inspected for any transport damage and completeness prior to installation.

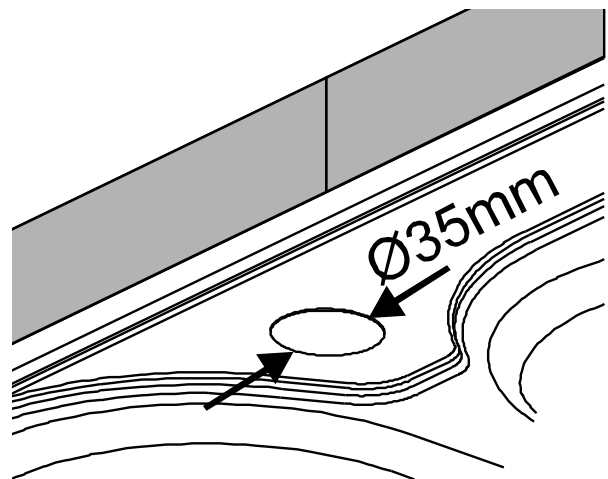
ℹ️ Loosely position the tap, pipes and other principal supply components to check if any alterations to the existing supply pipework is required, if this is the case do this now.

⚠️ Shut off your water heating system and ensure that your mains stopcock is closed. Open the lowest hot and cold taps in the house and allow the water to run until fully stopped.

If replacing an existing tap, remove the tap & clean the end of the feed pipes using wire wool, the tap hole area should be free from dirt and sealant.

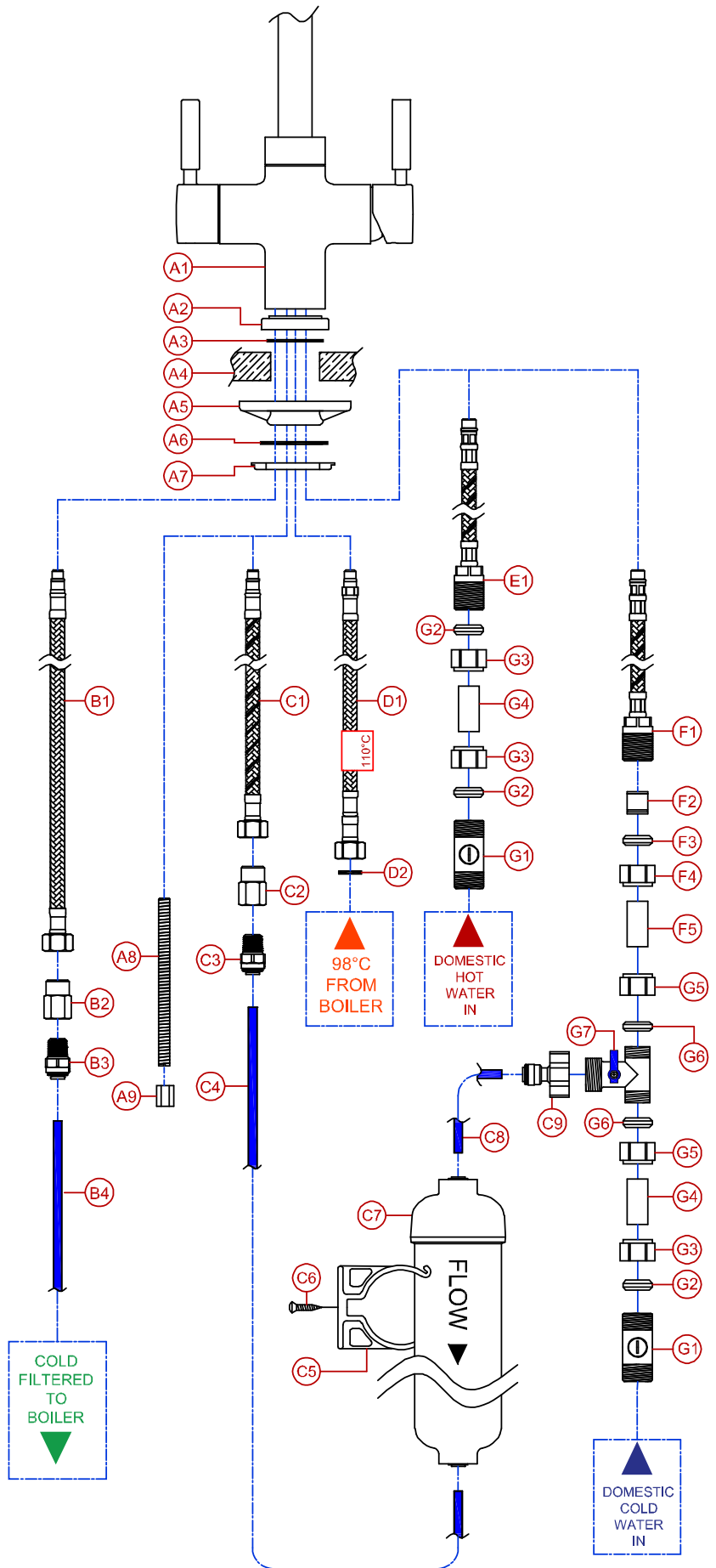
This mixertap requires a $\varnothing 35\text{mm}$ tap hole.

ℹ️ This tap is designed to be installed in a worktop with a maximum thickness of 45mm.



Parts and Contents

Key	Description	Qty
A1	Mixer tap	1
A2	Base plinth	1
A3	Base plinth seal	1
A4	Sink or worktop (max. 50mm)	0
A5	White triangular plate (for use with steel sinks only)	1
A6	Lower gasket	1
A7	Metal horseshoe	1
A8	Fixing stud	1
A9	Fixing nut	1
B1	Cold filtered (from tap to boiler) flexible hose (M8 x 3/8" F), includes captive seal	1
B2	3/8" M x 1/4" F brass adaptor	1
B3	1/4" NPT M x 1/4" pushfit	1
B4	1/4" outside diameter plastic pipe	1**
C1	Cold filtered (from filter to tap) blue banded flexible hose (M8 x 3/8" F), includes captive seal	1
C2	3/8" M x 1/4" F brass adaptor	1
C3	1/4" NPT M x 1/4" pushfit	1
C4	1/4" outside diameter plastic pipe	1**
C5	Filter bracket	1
C6	Filter bracket screw	1
C7	Filter cartridge	1
C8	1/4" outside diameter plastic pipe	1**
C9	3/4" BSPF x 1/4" pushfit adaptor	1
D1	Steaming hot water (from boiler to tap) "110" red labelled flexible hose. M8 x 3/8" F	1
D2	3/8" fibre seal	1
E1	Domestic hot in (from mains feed) red banded flexible hose M10 x 1/2" BSPM (15mm)	1
F1	Domestic cold in (from mains feed) blue banded flexible hose M10 x 1/2" BSPM (15mm)	1
F2	Non return valve (factory fitted into flexible hose F1)	1
F3	15mm olive	0
F4	15mm nut	0
F5	15mm pipe	0
G1	15mm isolation valve	0
G2	15mm olive	0
G3	15mm nut	0
G4	15mm pipe	0
G5	15mm nut	2
G6	15mm olive	2
G7	1/2" x 1/2" x 3/4" isolating tee valve	1

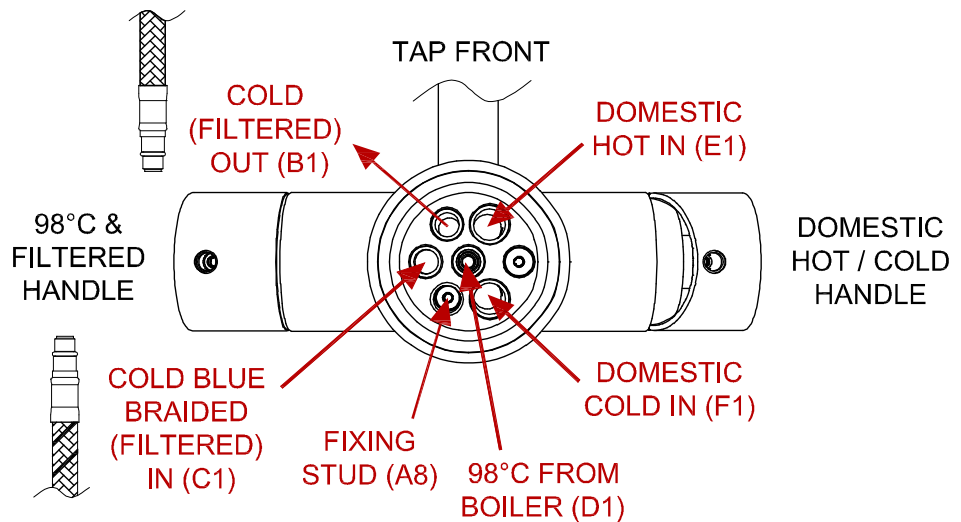


****Part supplied with boiler pack, cut to form required lengths to and from filter and boiler, for the boiler parts list and connections please refer to the instructions supplied with the boiler for more detail.**

Install the tap:

This diagram shows the view of the base of the tap (A1) with the 98°C water handle to the left of the body.

⚠ YOU MUST CAREFULLY RESPECT THE INLETS AND OUTLETS AS SHOWN



1. Screw the fixing stud (A8) into base of tap (A1) as shown on the diagram.
 2. Place the base plinth (A2) and base plinth seal (A3) onto the base of the tap (A1).
 3. Hand tighten the domestic hot in flexible hose (E1) as shown in the diagram.
 4. Hand tighten the domestic cold in flexible hose (F1) as shown in the diagram.
 5. Hand tighten the filtered cold in flexible hose (C1) as shown in the diagram.
 6. Hand tighten the filtered cold out flexible hose (B1) as shown in the diagram.
- ⚠ TAKE CARE NOT TO INVERT (C1) & (B1). DOING SO WILL RESULT IN NO FILTERED WATER**
7. Hand tighten the 110° rated steaming hot flexible hose (D1) into the centre inlet as shown on the diagram.
 8. Place the tap (A1-A3) centrally and straight to the tap hole, passing the fixing stud (A8), flexi hoses (B1, C1, D1, E1 & F1) through the tap hole.
 9. Pass the lower gasket (A6) then the metal horseshoe (A7) over the fixing stud (A8). Note: only if the tap is to be fitted to a stainless steel sink then the white triangular plate (A5) can be fitted where shown to improve the stability of the tap.
 10. Using a 13mm box spanner or small adjustable spanner tighten fixing nut (A9) onto the fixing stud (A8).
 11. Screw pushfit (B3) into brass adaptor (B2) and pushfit (C3) into brass adaptor (C2)
- ⚠ We recommend using PTFE tape (do not use sealing compound) on the thread of the pushfit fittings to make a good seal without applying excessive force (which may damage the plastic pushfit if overtightened).**
12. Screw pushfit (B3) and adaptor (B2) into the filtered cold out flexible hose (B1).
 13. Screw pushfit (C3) and adaptor (C2) into the filtered cold in flexible hose (C1).
 14. Connect the domestic hot water flexible hose (E1) to the hot water isolation valve (G1) using a section of 15mm pipe (G4) and compression nuts (G3) and olives (G2).



15. Arrange and install the domestic cold in isolation valve (G1) and a stub of 15mm pipe (G4) using 15mm compression nut (G3) and olive (G2).
16. Fix the ½" x ½" x ¾" isolating tee valve (G7) to the cold water feed pipe (G4) using 15mm compression nut (G5) and olive (G6). Ensure to arrange the blue lever on the Tee so it is easily accessible for your customer.



If your customer has a water softener installed you must attach the isolating Tee valve (G7) to an unsoftened cold water source, the cold water in flexible hose (F1) can however connect to either a softened or unsoftened water source.

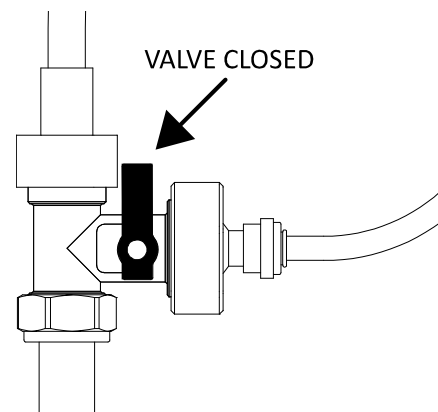
17. Connect the domestic cold in flexible hose (F1) to the ½" x ½" x ¾" isolating tee valve (G7) using 15mm compression nut (G5), olive (G6) and a section of 15mm pipe (F5).
18. Screw the ¾" BSP x ¼" pushfit (C9) onto the three-way valve (G7) ¾" male output.

Install the Filter:

1. Find a suitable place to mount the filter cartridge (C7) under the sink, **it must be mounted vertically**, easily accessible (to be changed periodically), away from any heat source or electrical connections and close enough not to exceed the available length of the ¼" plastic pipe (B4,C4,C8) supplied to reach the between the tap, filter and boiler (place the boiler temporarily to help judge the required lengths of ¼" plastic pipe).
2. Using the self-tapping screw (C6) securely fix the filter bracket (C5) to the cabinet wall.
3.  Write the installation date onto the filter label in permanent pen.
4. Clip the filter cartridge (C7) into the bracket (C5) as shown.
 You must respect the direction of flow as indicated on the filter cartridge (C7).
5. Measure and then cut required length of ¼" pipe (C4) to connect pushfit (C3) to the filter cartridge (C7) outlet, allow a small amount of extra length to make it easier to change the filter.
6. Firmly push connect the ¼" pipe (C4) between pushfit (C3) and filter cartridge outlet (C7).
7. Measure and then cut required length of ¼" pipe (C8) to connect pushfit (C9) to the filter cartridge (C7) inlet, allow a small amount of extra length to make it easier to change the filter.
8. Firmly push connect the ¼" pipe (C8) between pushfit (C9) and filter cartridge inlet (C7).
9. Firmly push connect the remaining ¼" pipe (B4) into pushfit (B3).

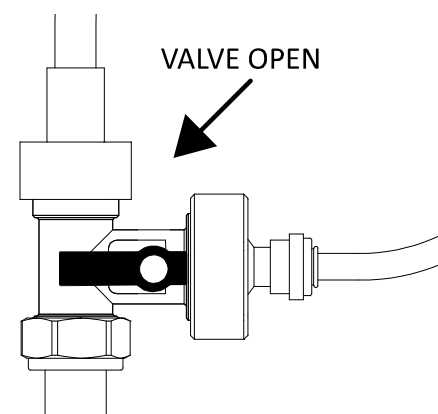
After Installation

1. Ensure that the isolating Tee valve (G7) is in the closed position as shown.
2. Close (turn off) both handles on the tap.
3. Reconnect the domestic hot and cold water supplies and open hot and cold isolation valves (G1). As the system starts to refill, check carefully all new water connections for leaks. After the product installation is complete we recommend you recheck for any slower leaks.



! It is normal for new filter cartridges to lose a small amount of loose carbon when first used and will dissipate with flushing, whilst harmless to consume if the carbon particles are not flushed prior to connection to the boiler they may partly block the boiler and reduce the flow rate. **You must flush the filter for at least 2 litres with cold water or until the water become clear** (without black carbon particles).

4. Ensure that the isolating Tee valve (G7) is in the open position as shown.
5. Place the ¼" pipe (B4) from the tap into a bowl or bucket.
6. Turn on the 98°C forwards handle fully, keep the lever open until all air is expelled and cold (filtered) water exits the ¼" pipe (B4) into the bowl, flush a minimum of a further 2 litres of cold (filtered) water through the ¼" pipe (B4). You may notice a discolouration to the water at first, this is loose carbon particles from the filter it is normal, harmless and will pass with flushing. Continue to flush the filter until the water runs clear. Once complete turn off the 98°C handle.



19. You can adjust the flow rate of the filtered water going to both the tap and boiler by adjusting the position of the blue lever on the isolating Tee valve (G7), you should aim for approximately 1-2 litres for both cold filtered and boiled filtered water.
20. Please refer to 'PROBOIL.2X User & Installation Guide' for the next steps on how to install the boiler and connect the tap and filter.

Please leave these instructions for your customer

01/2020