

AKW Bidet Collection

Supporting Independence with Modern
Solutions for Intimate Care



AKW[®]
Life Made Better



Life Made Better

For over 35 years, we've made it our mission to create innovative, intelligent, and inclusive bathroom products which make life easier by promoting independence and preserving dignity.

Our modern solution for intimate care, the AKW Bidet, has been designed to support those with physical or cognitive conditions which make going to the toilet a challenging experience, and may even be dependent on additional help from a carer or loved one.

Striving to make life better for our customers means we continuously invest in research and product development, which enables us to do better.

Now addressing an even wider range of clinical needs, the AKW Bidet collection has been developed to ensure a vast number of individuals can efficiently and safely use the toilet with more dignity and ease than ever before, a sentiment which reinforces our key values and beliefs.

This brochure will introduce you to our full range of toileting solutions, with clear and concise information, supporting imagery, illustrative diagrams, and helpful guidance which will enable you to find the right product for your needs.

We have also created several AKW Bidet sanitaryware packs to make ordering the AKW Bidet and relevant sanitaryware products you need even simpler.

The AKW Bidet solution underpins our mantra, *Life Made Better*; we look forward to showcasing our newly expanded collection of bidet products which have been designed to help improve the quality of life for many people across the UK.

Dignity Redefined

At the heart of our intimate care collection is the AKW Bidet

Ideal for a range of bathroom installations, the AKW Bidet offers a cost-effective, quick to install, easy to use and maintain bidet, with two models available, depending on your needs.

Our **Side-Entry Bidet** has been designed for installation on existing toilet pans and features an external side-entry water feed. This flexibility means the bidet can be easily removed and re-installed on another pan if required in the future.

For those wanting a longer-term solution, our **Bottom-Entry Bidet** has been designed specifically for use with select pieces of sanitaryware from our Navlin and Navlin Doc M collections, with a bottom-entry water feed that is cleverly concealed within the toilet pan.

The AKW Bidet is available with a choice of two seat options, both of which can be easily removed, and used with or without the detachable lid, depending on your preference or installation type.



Our **Ergonomic bidet seat** moulds to the natural contours of the body for optimum comfort, as we understand visiting the toilet may take longer for some than others. It has also been designed for compatibility with most common UK toilet pans, with a wide seat and standard-sized aperture.



The **Consilio bidet seat** benefits from a contemporary aesthetic which has been specially designed to offer a clean, flush finish when paired with AKW Livenza Plus, Navlin, and Navlin Doc M sanitaryware. It also features a larger aperture which provides additional care benefits for those who need it.



The Four Cs:

Clean, Care, Comfort, Clever

We want to help those who need it, retain or regain their independence when using the toilet. To us, that isn't too much to ask, which is why we've designed the AKW Bidet with the Four Cs in mind.

The many adjustable settings the AKW Bidet offers can be quickly and easily tailored to meet specific cleaning requirements, all at the touch of a button.

Many useful care features have also been incorporated, each specifically addressing an often overlooked, or clinical need that can make toileting more challenging, while ensuring the experience of using the bidet is a comfortable one.

To achieve this, we have made sure everything our bidet does, it does well, with intelligent solutions cleverly designed to help make life better.



A Personalised Clean, Your Way

Adjustable spray control offers thorough and refreshing cleansing exactly where and how you need it

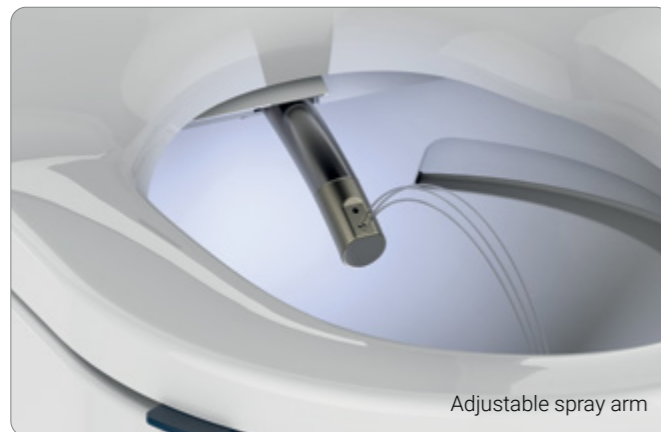
- + 5 rear wash positions
- + 5 feminine wash positions
- + 5 spray intensity settings (approx. 0.6-1L per minute)
- + 1-2-minute wash cycles
- + 4 spray modes: Steady, Pulsating, Oscillating, Pulsating & Oscillating

Instantaneous 1750W water heater offers a steady flow of warm water with no reheating period in between washes, and a choice of multiple temperature settings

- + 2-minute constant wash cycle
- + 1-minute gradual cooling wash cycle
- + 6-stage temperature control (approx. 31-39°C)

Powerful 350W dryer with settings that can be tailored to your specific needs

- + 3-minute standard drying cycle
- + 6 temperature settings (approx. 40-52°C)
- + 5 adjustable speed settings



Adjustable spray arm



Quick-release seat and lid

We Care About the Little Things

Remote control provides full function control via a handheld, ergonomic remote, which is easy to use and supports carers with maximising user dignity

Night light helps those with visual impairment or dementia locate the toilet in the dark or dimly lit conditions, helping to alleviate the risk of confusion

Seat lugs provide discreet stability when side transferring from a chair or commode

Lid and seat lift assist with front moulded grips on the lid and contrasting side tabs for easy lifting, which are not only more hygienic but also support those with limited dexterity

Soft-close seat and lid are slower, quieter, and therefore safer for users, especially children or those easily startled by loud noises

Quick-release seat and lid allows you to adapt the bidet for various care needs, and makes cleaning easier

Easy to clean with a user-friendly design, which should require very little maintenance throughout the bidet's lifetime



Lid lift assist with front moulded grips

Comfort is Key, Always

Quiet heater, water pump, and dryer motor promote user dignity and allow you to use the toilet in peace

Optimised water pressure and flow for efficient and continuous cleaning that encourages a relaxing, enjoyable toileting experience

Strong load limit of 23.5st (150kg) ensures the bidet is suitable for a wide variety of users

Two stylish seat options with UK-sized apertures allow for compatibility with most common toilet pans

- + Ergonomic seat is shaped for maximum comfort with a wider seat
- + Consilio seat features a larger aperture ideal for care environments

Clever Design, for Now, and the Future...

Integral seat sensor prevents accidental usage by ensuring activation only occurs when the seat is in use

Self-cleaning function ensures the spray arm nozzle and surrounding area are hygienic

- + Nozzle is cleaned both before and after use
- + Automatic water purge if not used for 72 hours

Low-pressure mode ensures the bidet continues working efficiently during periods of low pressure

Quick and easy for your plumber and/or electrician to install with no specialist tools or prior training required

Side or bottom-entry water supply offers flexibility within a range of bathroom installations

Flexible warranty for peace of mind

- + 2-year warranty provided as standard
- + Up to 5-years cover available with our extended warranty options

The Revolution is Here

Aim higher with the AKW Rise & Fall Bidet

As experienced designers and innovators, we're constantly thinking ahead, anticipating the next step, and creating simple solutions which can help many overcome the struggles of day-to-day life.

Driven and inspired by the success of the AKW Bidet, we consulted renowned Occupational Therapists to devise a bidet product that further addresses the clinical needs of those with reduced mobility when toileting, challenges which often demand more specialist solutions.

The AKW Rise & Fall Bidet offers all the fantastic features of the AKW Bidet, but with an adjustable wall-hung toilet pan that raises and lowers to the height you require, weight-loading fold-up support arms, and a stylish design that feels at home in any modern bathroom.



At a glance...

Contemporary design incorporates toughened safety glass and a wall-hung toilet pan for a minimalist aesthetic which is low maintenance and simple to clean

Easy-to-use, right-handed buttons raise and lower the toilet pan to your individual requirements, particularly benefitting those living in multi-generational or multi-user households as the height is not defined at the point of installation, unlike some other products

Rimless toilet pan with direct flushing technique improves hygiene by reducing the build-up of bacteria and making cleaning easier

Fold-up arms support up to 18.8st (120kg) and enable greater access when completing side transfers, with friction preventing a hard drop

Adjustable toilet pan offers a flexible height range of 410-610mm from the finished floor level to the top of the seat, enabling safer and easier side transfers on/off wheelchairs, shower chairs, and commodes





The AKW Bidet Collection

Close-Coupled Bidet

A modern and discreet solution for wash/dry toileting, the Close-Coupled Bidet feels at home in any bathroom with its subtle yet stylish design and accessible price point.

The Close-Coupled Bidet is comprised of two products:

- + AKW Bottom-Entry Bidet with Consilio Seat & Lid which benefits from multiple adjustable wash/dry settings as well as useful care features
- + Navlin Raised-Height Close-Coupled Pan for Bottom-Entry Bidet which has been designed to cleverly conceal bidet pipework, offering an integrated, modest bidet solution

To make ordering even easier, both products can be purchased in one simple pack, with compatible cisterns available separately depending on your flush requirements.

Product Code

28410 AKW Close-Coupled Bidet

Features & Benefits

- + Raised-height toilet pan makes it easier for less mobile users to lower and rise from the toilet
- + Rear holes in the toilet pan conceal AKW Bidet pipework for an enhanced cosmetic finish and reduction of hazards in the event of a trip or fall
- + Rimless toilet pan with direct flushing technique offers improved hygiene by reducing the build-up of bacteria and making cleaning easier
- + Toilet pan can support up to 60st (400kg); bidet seat can support a maximum load of 23.5st (150kg)
- + Compatible with Navlin and Navlin Doc M close-coupled cisterns which come with a choice of raised push button, spatula lever, or sensor flush options, all of which are non-handed and can be easily operated by hand, closed fist, or elbow
- + Pair with Navlin and Navlin Doc M wash basins for a complete bathroom suite



Back-to-Wall Bidet

Providing a stylish and Doc M compliant wash/dry toileting solution, the Back-to-Wall Bidet is suitable for a variety of users and can be installed with a concealed cistern, with AKW Bathroom Furniture, or with a low-level cistern.

The Back-to-Wall Bidet is comprised of two products:

- + AKW Bottom-Entry Bidet with Consilio Seat & Lid which benefits from multiple adjustable wash/dry settings as well as useful care features
- + Navlin Doc M Raised-Height Back-to-Wall Pan for Bottom-Entry Bidet which has been designed to cleverly conceal bidet pipework, offering an integrated, modest bidet solution

To make ordering even easier, both products can be purchased in one simple pack, with compatible cisterns and furniture available separately depending on your installation requirements.

Product Code

28412 AKW Back-to-Wall Bidet

Features & Benefits

- + Doc M compliant, raised-height toilet pan makes it easier for less mobile users to lower and rise from the toilet
- + Rear holes in the toilet pan conceal AKW Bidet pipework for an enhanced cosmetic finish and reduction of hazards in the event of a trip or fall
- + Rimless toilet pan with direct flushing technique offers improved hygiene by reducing the build-up of bacteria and making cleaning easier
- + Four-point, side-entry floor fixings reduce the build-up of dust and bacteria, are easier to clean, and come with white cosmetic caps to prevent rusting
- + Toilet pan can support up to 60st (400kg); bidet seat can support a maximum load of 23.5st (150kg)
- + Can be installed with a concealed cistern or AKW bathroom furniture for a streamlined aesthetic that hides any unsightly pipework
- + Can be installed with a low-level cistern, flush pipe, and optional padded back rest (available in contrasting colours); cisterns are available with a choice of raised push button, spatula lever, or sensor flush options, all of which are non-handed and can be easily operated by hand, closed fist, or elbow
- + Pair with Navlin and Navlin Doc M wash basins for a complete bathroom suite





Wall-Hung Bidet

Ultra-modern and minimalist in its design, the Wall-Hung Bidet can be installed at a user-specific height and feels at home in any 21st century bathroom.

The Wall-Hung Bidet is comprised of four products:

- + AKW Bottom-Entry Bidet with Consilio Seat & Lid which benefits from multiple adjustable wash/dry settings as well as useful care features
- + Wall-Hung Pan for Bottom-Entry Bidet which has been designed to cleverly conceal bidet pipework, offering an integrated, modest bidet solution
- + Geberit Duo Fix Wall-Hung Frame & Cistern which allows for a strong and reliable installation
- + Geberit Kappa 20 Flush Plate (Chrome)

To make ordering even easier, all four products can be purchased in one simple pack.

Product Code

28413 AKW Wall-Hung Bidet

Features & Benefits

- + Minimalist wall-hung toilet pan creates the illusion of space and enables easier cleaning
- + Rear holes in the toilet pan conceal AKW Bidet pipework for an enhanced cosmetic finish and reduction of hazards in the event of a trip or fall
- + Rimless toilet pan with direct flushing technique offers improved hygiene by reducing the build-up of bacteria and making cleaning easier
- + Toilet pan and frame can support up to 60st (400kg); bidet seat can support a maximum load of 23.5st (150kg)
- + Concealed wall-hung frame and integrated cistern keeps unsightly pipework hidden for a more streamlined look
- + Adjustable frame allows the pan to be installed at a user-specific height (from 820-1020mm)
- + Pair with Navlin and Navlin Doc M wash basins for a complete bathroom suite



Rise & Fall Bidet

Designed to provide a contemporary and flexible wash/dry toileting solution, the Rise & Fall Bidet addresses a variety of clinical needs while promoting the retention or increase of independence and dignity.

Featuring a wall-hung bidet which benefits from an adjustable height range, easy-to-use up/down buttons, and weight-loading fold-up arms, the Rise & Fall Bidet is suitable for users of different heights, ages, and needs.

The Rise & Fall Bidet is comprised of three products:

- + AKW Bottom-Entry Bidet with Consilio Seat which benefits from multiple adjustable wash/dry settings as well as useful care features
- + Wall-Hung Pan for Bottom-Entry Bidet which has been designed to cleverly conceal bidet pipework, offering an integrated, modest bidet solution
- + Rise & Fall Cistern Unit which enables the user to adjust the pan height, incorporates fold-up support arms, and houses the concealed cistern with built-in dual push button flush

To make ordering even easier, all three products can be purchased in one simple pack. Pair with our range of Navlin and Navlin Doc M wash basins for a complete bathroom suite.

Product Code

28414 AKW Rise & Fall Bidet

Features & Benefits

- + Height of the toilet pan can be adjusted, offering a flexible height range of 410-610mm from the finished floor level to the top of the seat, and enabling safer, easier side transfers
- + Easy-to-use up/down buttons on the right-hand arm raise and lower the toilet pan to your individual requirements, benefitting those living in multi-generational or multi-user households
- + Rear holes in the toilet pan conceal AKW Bidet pipework for an enhanced cosmetic finish and reduction of hazards in the event of a trip or fall
- + Rimless toilet pan with direct flushing technique improves hygiene by reducing the build-up of bacteria and making cleaning easier
- + Concealed cistern keeps unsightly pipework hidden for a more streamlined look, with the dual push button flush offering full (6 litre) and reduced flush options
- + Weight-loading arms aid with safe navigation around the bathroom and fold up to enable greater access, with friction preventing a hard drop
- + Cistern unit with toilet pan can support up to 60st (400kg); bidet seat can support up to 23.5st (150kg); arms can support up to 18.8st (120kg) each
- + Incredibly stylish aesthetic with toughened safety glass front, minimalist wall-hung pan, and taupe arms





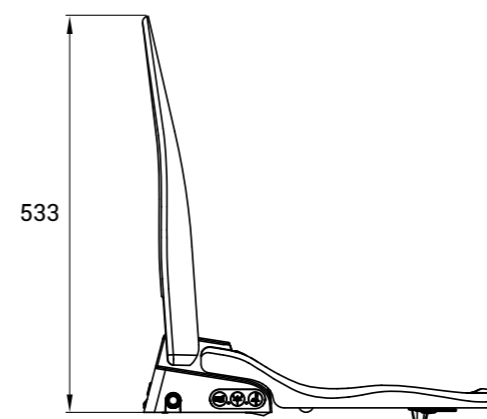
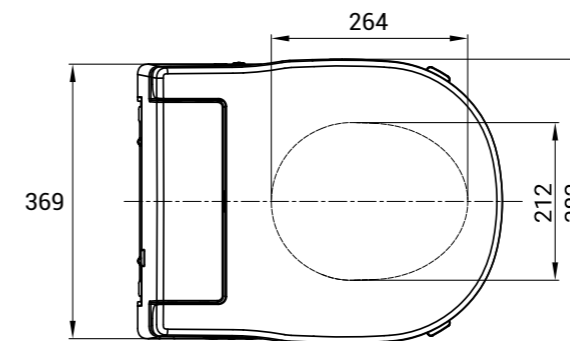
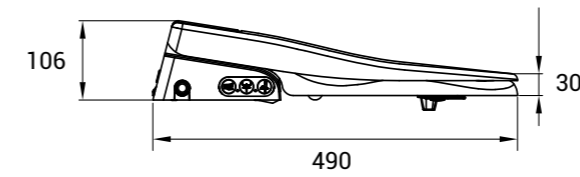
Technical Specification

AKW Bidet

Wash	Rear wash	Yes
	Feminine wash	Yes
	Oscillating spray	Yes
	Pulsating spray	Yes
	Oscillating and pulsating spray	Yes
	Adjustable water temperature	6 levels (default 4th)
	Temperature modes	Constant temperature (default) and gradual cooling
	Adjustable flow rate	5 steps (default 3rd)
	Adjustable spray position	5 steps (default 3rd)
Warm Air	Air drying	Yes
	Adjustable dryer temperature	6 levels (default 3rd)
	Adjustable dryer rate	5 steps (default 3rd)
Hygiene	Nozzle auto cleaning	Yes
	Nozzle manual cleaning	Yes
Features	Night light	Yes
	Soft-closing seat and lid	Yes
	Quick-release seat and lid	Yes
	Control buttons	Yes
	Remote control	Yes
Specification	Water supply connector	G 1/2" / G3/8"
	Water supply direction	Side or bottom entry
	Water supply pressure	Min 0.5 (dynamic)~Max 8 (static) (in standard mode)
	Water supply temperature	4~30°C
	Rated voltage	AC230V, 50HZ
	Power rating	1750W
	Length of power cord	approx. 1.5m
	Ambient temperature	4~40°C
	Protection degree	IPX4
	Maximum weight loading	23.5 st / 150kg
Wash Device	Flow rate (standard)	600~1000ml/min
	Flow rate (low)	450~650ml/min
	Water temperature	31~39°C
	Wash cycle time (standard)	2 Minutes at constant temperature mode or 1 minute at gradual cooling mode.
	Wash cycle time (low)	1 Minute at constant temperature mode and gradual cooling mode.
	Heating mode	Element
	Safety device	Thermal cut out fuses/liquid level switch/thermostat
Dry Device	Back flow prevention	Air gap
	Minimum air volume	0.2m ³ /min
	Maximum dryer power	350W
	Warm air temperature	40~52°C
	Dry cycle time	3 minutes
Remote Control	Safety device	Thermal cut out fuses/thermostat
	Frequency	~2460MHz
	Maximum RF output power	0dBm
	Type of batteries	2x 1.5V LR03 AAA (batteries not included)

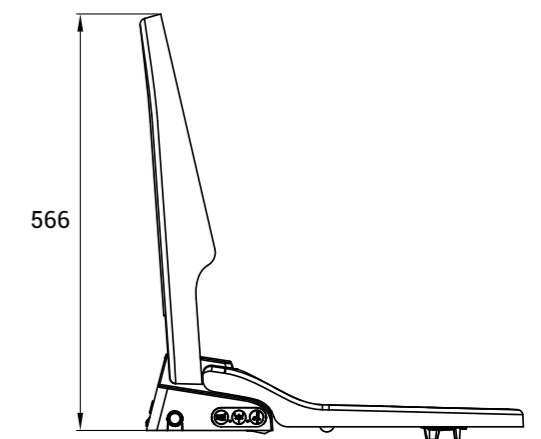
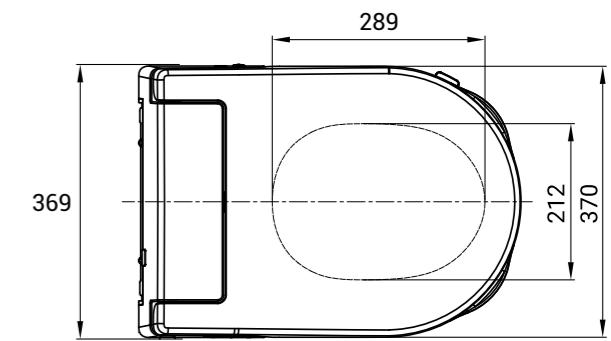
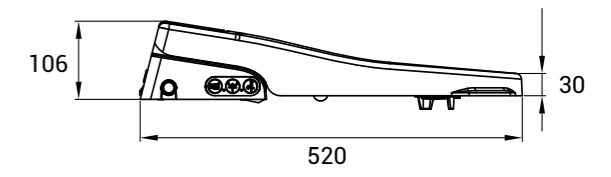
Ergonomic Seat for AKW Bidet

Designed for use with most common UK toilet pans.



Consilio Seat for AKW Bidet

Designed for use with AKW Livenza Plus, Navlin, and Navlin Doc M toilet pans.



Technical Specification

AKW Rise & Fall Cistern Unit

Flush Volume	6L (full flush) & Reduced Flush
Lift Direction	Vertical Lift
Rated Voltage	AC 220-240V,50/60Hz
Max. Power	200W
Drive Mode	DC Motor Lead Screw
Duty Cycle	10%, Max. 2 Min Operate/Min. 18 Min Stop
Operation Switch	Push-Button Switch
Adjustable Lifting Range	200mm
Length of Power Cord	2m
Max. Load Weight	60st / 400kg
Max. Load Weight Each Arm Rest	18.8st / 120kg
Waterproof Rating	IPX4
Ambient Temperature	4~40C
Drainage Direction	Wall & Floor Drainage
Dimensions (mm)	(H) 1099 x (W) 543 x (D) 212
Net Weight	55.9kg
Colour of Glass Panel	White

Approvals & Warranty Information

At AKW, we pride ourselves on being able to deliver high-quality bathroom products which meet the required standards that enable them to be specified in a variety of different environments and can be trusted to perform as we intend them to.

- + All toilet pans, wash basins and pedestals comply with BS EN 997
- + All electrical items comply with BS EN 60335-1
- + Rise & Fall Cistern Unit complies with Machinery Directives 2006/42/EC and tested to EN 60335-1 and EN 62233
- + AKW are self-certifying and supplying approved flush fittings in line with current UK water regulations for compliance purposes
- + UKCA & CE approved



You can find details of our various warranties below; please be aware that all our product warranties exclude damage, misuse, limescale build-up, and wear and tear.



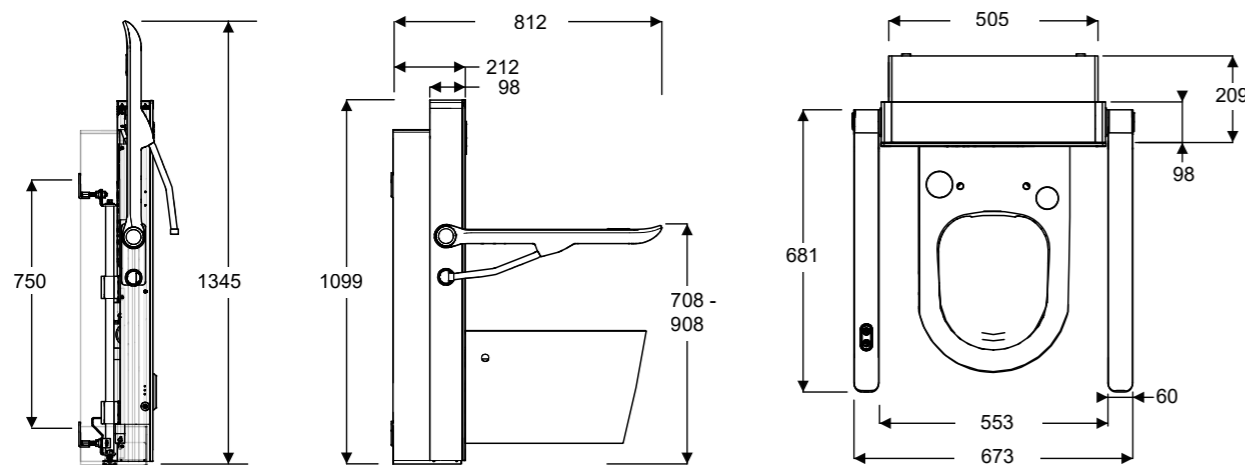
2-year warranties are provided as standard with the AKW Bidet and AKW Rise & Fall Cistern Unit



The AKW Bidet and AKW Rise & Fall Bidet can be covered for up to 5-years for additional peace of mind with our extended warranty options, which can be purchased separately



Lifetime warranty on all AKW toilet pans, wash basins, and pedestals



How to Order

Ordering with AKW couldn't be easier, we're able process orders over the telephone, via email, fax, or online, with our friendly Customer Services colleagues and regional Sales representatives available to answer any queries you may have regarding the AKW Bidet collection.

The product codes below will enable you to place your order with us quickly and efficiently, with supporting information provided to help you to make the best selection to meet your installation requirements.

30501 Side-Entry AKW Bidet with Consilio Seat & Lid

30502 Side-Entry AKW Bidet with Ergonomic Seat & Lid

28410 Pack One: Close-Coupled Bidet

To complete your WC, you will need to select one of the two compatible cisterns:

- 23574** Navlin Cistern with Raised Push Button Flush
- 23594** Navlin Doc M Cistern with Lever Flush

To opt for our contact-free sensor flush option, you will need to order the below product code with 23574 Navlin Cistern with Raised Push Button Flush, and replace the button flush with the sensor flush valve during installation.

- 28404** Sensor Flush

28412 Pack Two: Back-to-Wall Bidet

If installing with a concealed cistern, you will need to order the below concealed cistern and flush plate.

- 28179** Dudley Miniflo Cistern
- 28180** Palm-Push Dual Flush Plate

If installing with AKW Bathroom Furniture, you will need to select from the below WC units, which include a concealed cistern and recessed flush button, and our range of countertops:

- 28152DFT** Driftwood 500mm WC Unit
- 28152MOK** Montana Oak 500mm WC Unit
- 28152WHT** White Gloss 500mm WC Unit
- 28153DFT** Driftwood 600mm WC Unit
- 28153MOK** Montana Oak 600mm WC Unit
- 28153WHT** White Gloss 600mm WC Unit
- 28156DFT** Driftwood 500mm Slimline WC Unit
- 28156MOK** Montana Oak 500mm Slimline WC Unit
- 28156WHT** White Gloss 500mm Slimline WC Unit

- 28157DFT** Driftwood 600mm Slimline WC Unit
- 28157MOK** Montana Oak 600mm Slimline WC Unit
- 28157WHT** White Gloss 600mm Slimline WC Unit
- 28131WHT** White Gloss Standard Countertop
- 28131BLK** Everest Standard Countertop
- 28131DFT** Driftwood Standard Countertop
- 28132WHT** White Gloss Slimline Countertop
- 28132BLK** Everest Slimline Countertop
- 28132DFT** Driftwood Slimline Countertop

Matching wash basin units, semi-recessed wash basins, and brassware is also available, please visit our website or speak to our Customer Services colleagues for more information.

If installing a low-level WC, you will need to select one of the two compatible cisterns:

- 23549** Navlin Low-Level Cistern with Raised Push-Button Flush & Flush Pipe
- 23559** Navlin Doc M Low-Level Cistern with Lever Flush & Flush Pipe

To opt for our contact-free sensor flush option, you will need to order the below product code with 23549 Navlin Low-Level Cistern with Raised Push Button Flush, and replace the button flush with the sensor flush valve during installation.

- 28404** Sensor Flush

If you would benefit from installing a padded back rest to offer additional support and comfort when using the toilet, we have three options available to purchase, which offer colour contrast if required:

- 01190BU** PU Padded Back Rest & Rail (Blue)
- 01190GR** PU Padded Back Rest & Rail (Grey)
- 01190WH** PU Padded Back Rest & Rail (White)

28413 Pack Three: Wall-Hung Bidet

28414 Pack Four: Rise & Fall Bidet

Extended Warranty Options

The AKW Bidet and AKW Rise & Fall Bidet come with a 2-year warranty as standard, but can be purchased with 1, 2, or 3-years additional cover with our extended warranty products.

Extended warranty should be added to your order at the time of purchase, or ordered within 30 days (maximum) of purchase.

- 30501-1** AKW Bidet 1-Year Extended Warranty
- 30501-2** AKW Bidet 2-Year Extended Warranty
- 30501-3** AKW Bidet 3-Year Extended Warranty
- 28414-1** AKW Rise & Fall Bidet 1-Year Extended Warranty
- 28414-2** AKW Rise & Fall Bidet 2-Year Extended Warranty
- 28414-3** AKW Rise & Fall Bidet 3-Year Extended Warranty

Navlin & Navlin Doc M Wash Basins

All AKW Bidet packs are designed to complement our range of Navlin and Navlin Doc M wash basins and pedestals with consistent colour, glazing, and finishes throughout. Should you wish to add compatible sanitaryware to your order, please choose from the below products to complete your bathroom suite:

23576	Navlin Wash Basin 450mm 1 Tap Hole
23577	Navlin Wash Basin 450mm 2 Tap Hole
23578	Navlin Wash Basin 500mm 1 Tap Hole
23579	Navlin Wash Basin 500mm 2 Tap Hole
23580	Navlin Wash Basin 550mm 1 Tap Hole
23581	Navlin Wash Basin 550mm 2 Tap Hole
23587	Navlin Semi Pedestal
23586	Navlin Full-Height Pedestal
23548	Navlin Corner Wash Basin
23117	Navlin Doc M Finger Rinse 400mm Wash Basin

A broad range of chrome-finished, inclusively designed brassware is also available to order, please visit our website or speak to our Customer Services colleagues for more information.

Delivery Information

Many of our products, including the AKW Bidet and our ranges of sanitaryware, are available with next-working-day delivery across the UK mainland, a service expertly provided by our delivery partner, XPO Logistics.

Given the increased weight of the AKW Rise & Fall Bidet, you should be aware of the following delivery requirements:

- + 2-person delivery is required in order for us to safely deliver the product
- + Room of choice delivery will ensure the unit is brought safely into the building and the room it will be installed in
- + In order to arrange a safe delivery, we aim to deliver within 2-working days to addresses on the UK mainland

Further information about deliveries to areas outside of the UK mainland can be found on our website.

Installation Advice

The AKW Bidet is designed to be quick and simple to install, however, we recommend that your installer has sufficient plumbing and/or electrical knowledge to ensure a safe installation.

For the AKW Rise & Fall Bidet, we would highly recommend a 2-person installation is undertaken, with the cistern unit fitted by an NICEIC qualified electrician with plumbing knowledge, in accordance with UK electrical and water regulations.

We're Here to Help

At the heart of every successful bathroom adaptation is thorough research, careful planning, trust, and teamwork, that's why we're here to help, every step of the way.

Our experienced network of regional Sales representatives can provide expert advice on selecting the best AKW Bidet solution for you or your client; we can even offer live demonstrations on how our products work. All our team are contactable via phone, email, LinkedIn, or over video conference, simply get in touch to let us know how we can help.

If you're in need of additional assistance with design or specification, our team of nationwide specialist Surveyors are on hand to visit, measure the space, supply drawings, and advise on the best fixtures and fittings for your bathroom, giving you peace of mind and an expert to chat things through with face-to-face.

Our dedicated Customer Service colleagues are here to help with placing your order and arranging a delivery that suits you. Should you have any installation or operational queries, our fantastic Technical Support team – many of whom have previously worked as plumbers – are available to discuss these with you, or organise a home visit from our Engineers, should this be required.

Naturally, we put safety and security first, so all our Surveyors and Engineers carry AKW ID cards which have braille stickers for visually impaired customers. They are also equipped with PPE and adhere to increased health & safety protocols to ensure the welfare of everyone.

To find out how we can help, get in touch using the details below:

ORDERS & QUOTES

01905 823 299
orders@akw-ltd.co.uk

GENERAL ENQUIRIES

01905 823 298
sales@akw-ltd.co.uk

TECHNICAL ENQUIRIES

01905 560 219
tech@akw-ltd.co.uk





Life Made Better

Orders & Quotes

01905 823 299
orders@akw-ltd.co.uk

General Enquiries

01905 823 298
sales@akw-ltd.co.uk

Technical Enquiries

01905 560 219
tech@akw-ltd.co.uk

AKW

Pointon Way, Hampton Lovett
Droitwich Spa, WR9 0LR

www.akw-ltd.co.uk
orders@akw-ltd.co.uk



08/22