

Product Overview: This easy to operate swing bin is available in grey, with a blue lid for the visually impaired.

- Features:**
- Wide opening
 - High contrast colour
 - Durable - will not rust, chip or peel

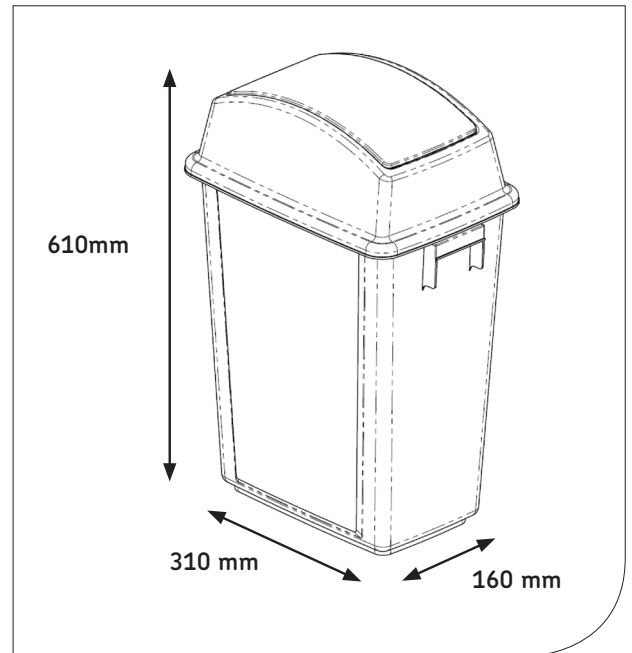
- Benefits:**
- Dent resistant
 - Swing top keeps waste out of sight
 - Efficient and discrete

Product Specification:

- Height: 610mm
- Width: 310mm
- Depth: 160mm



Dimensions:



Guarantee & Certification:



Product Codes:

Codes	Description
23148	Swingbin

* The lifetime warranty excludes normal wear and tear in general domestic applications. It applies only to products being installed for the first time and according to relevant local and national regulations.