

Product Overview: 4000 series shower seats have been designed to accommodate a variety of individual needs of end users. Ideal for enclosures with limited space.

- Features:**
- Unique and innovative design will give years of trouble free service
 - Quality tested to BS EN 12182:1998 & BS EN 12727:2000
 - Made from rust proof stainless steel
 - Available in white without padding
 - Blue seat cushion or grey seat cushion options available
 - Horseshoe shape allows for easier intimate hygiene

- Benefits:**
- Designed in consultation with occupational therapists, end users and installers
 - Adjustable for comfort, with seat heights of between 390-640mm (provided by two sets of legs supplied as standard)
 - Sturdy design, carries weight up to 254kg / 40 stone
 - + or - 13mm fine adjustment to support leg to allow for gradient in floor



Guarantee:

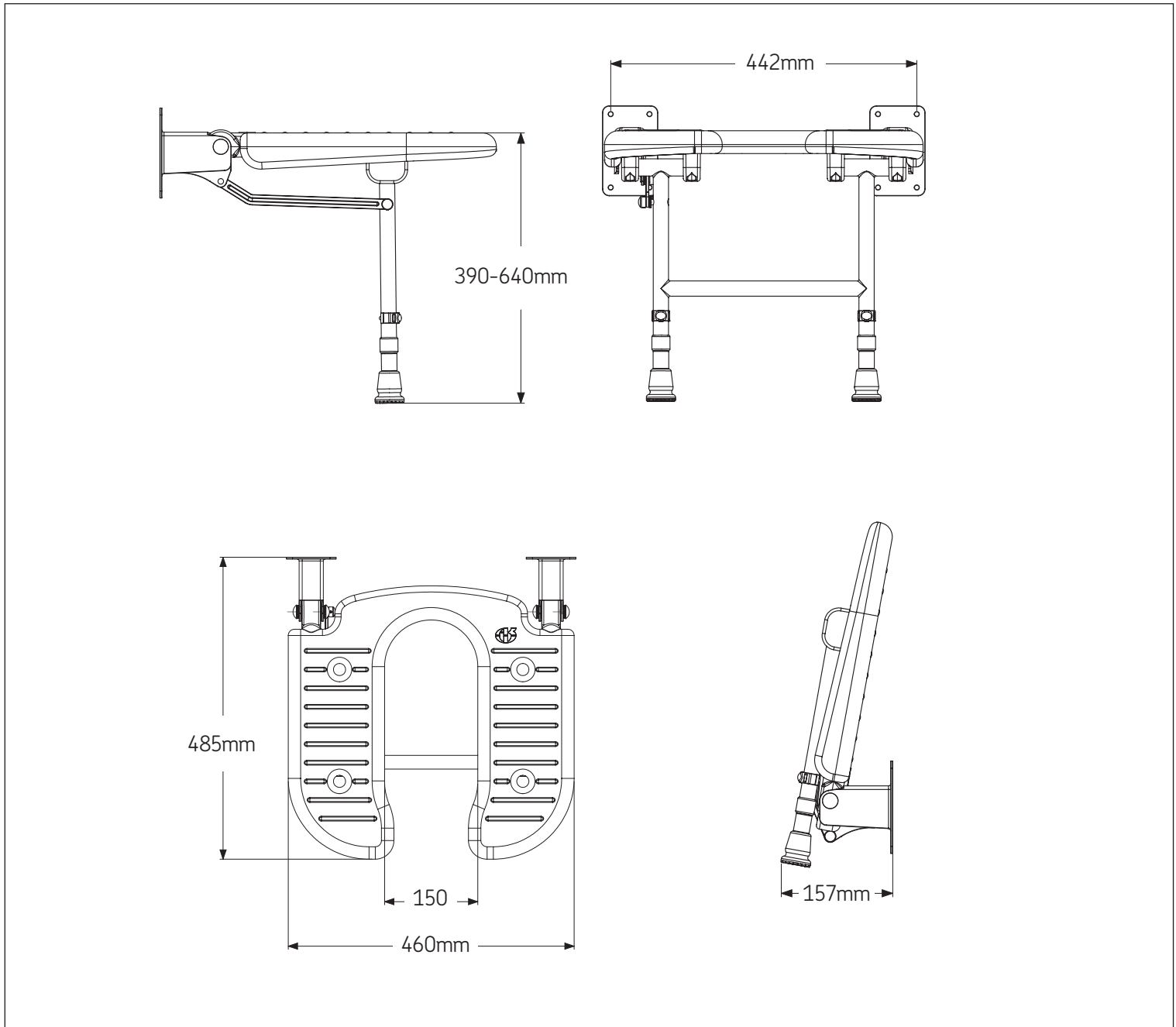


Product Specification:

- Quality tested to BS EN 12182:1998 & BS EN 12727:2000
- Maximum weight limit 254kg / 40 stone
- Blue pad option available to offer high contrast seating for visually impaired users

* The lifetime warranty excludes normal wear and tear in general domestic applications and in accordance with AKW installation instructions. It applies only to products being installed for the first time and according to relevant local and national regulations.

Dimensions:



Product Codes:

Seat colour	Arm colour	Product code
White	N/A	04100
Blue padded	N/A	04100P
Grey padded	N/A	04200P
Accessories		
Blue spare horseshoe seat cushion		04180
Grey spare horseshoe seat cushion		04280