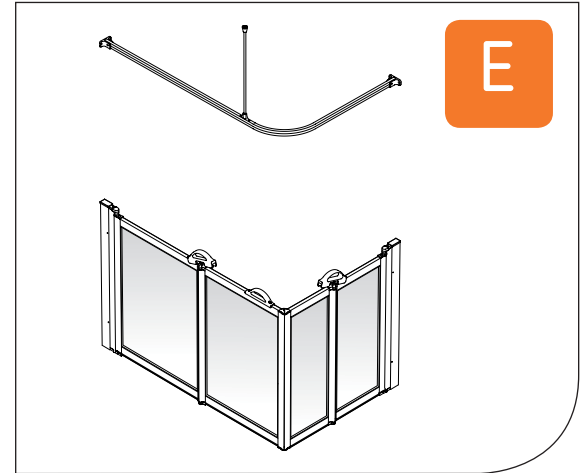


**Product Overview:** Half Height Option E White Carer Screens with bi-fold door to both sides opening in and out.

- Features:**
- Smooth modern latches and D handles
  - 180° hinges enable doors to open both inwards and outwards
  - Bi-fold screens feature 360° hinges
  - Unique locking rising butt two-way hinges
  - Elastomeric gaskets provide a high integrity, watertight seal
  - Stronger and improved designed seals for a continuous water barrier
  - Curtain rail drop rods are 600mm long where supplied
  - All hinges and caps made from hardwearing Nylon 6
  - Handles included
- Benefits:**
- Half height screens give easy carer access
  - A stronger magnetic strip increases water retention
  - Robust frames for a longer life
  - Stronger fittings provide better wear and tear
  - PET frosted panels gives shatterproof glazing for added safety
  - Quality white curtains provided as standard
  - L shaped curtain rail
  - Easy to fit
  - Can be installed with a variety of shower tray configurations

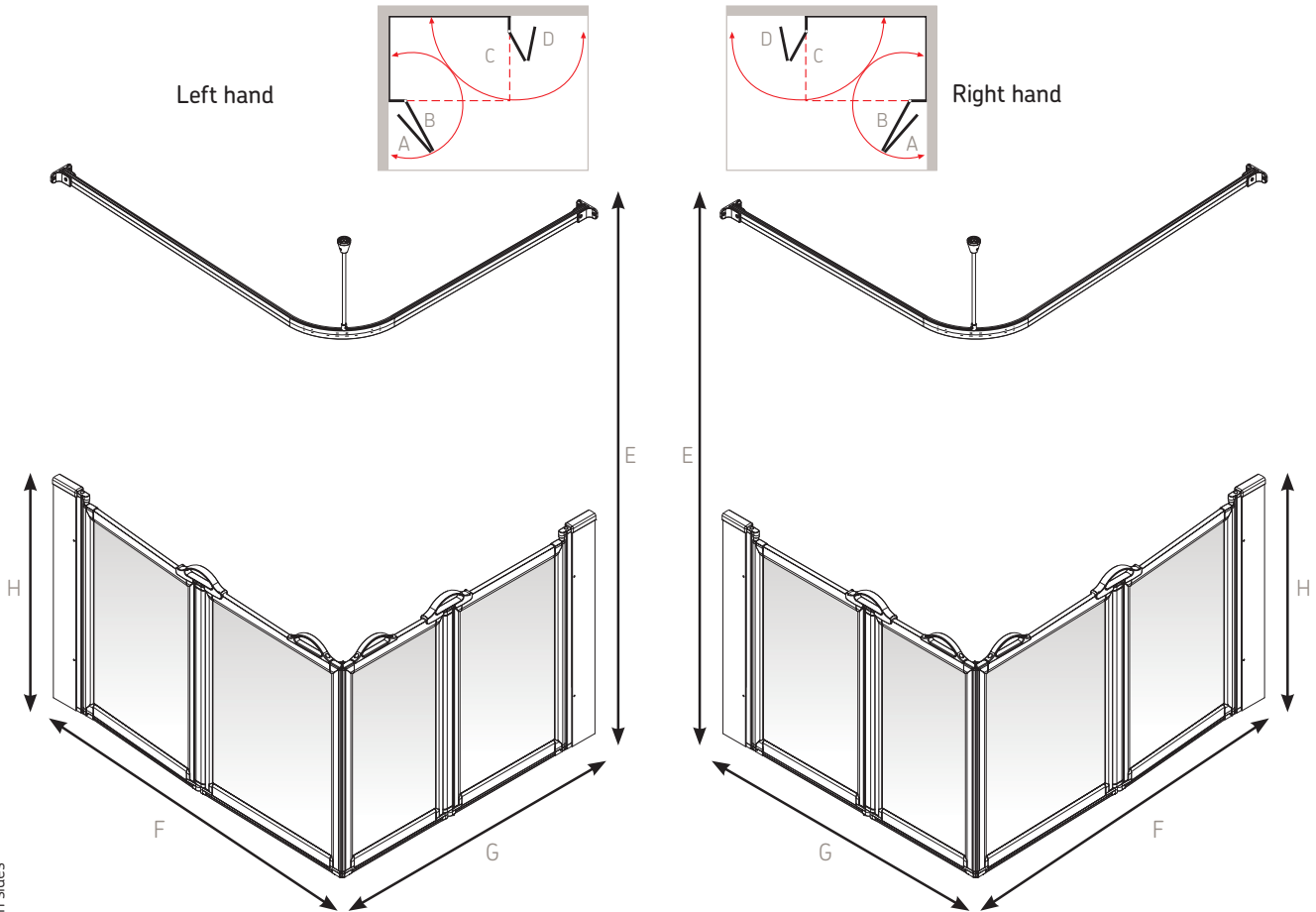


**Guarantee:**



\* The lifetime warranty excludes normal wear and tear in general applications. It applies only to products being installed for the first time and according to relevant local and national regulations. PRODUCT MUST BE FITTED IN ACCORDANCE WITH AKW INSTALLATION INSTRUCTIONS.

**Dimensions:**



Please Note: Compensators are set at mid point giving 14.5mm in and out adjustment on both sides  
Please Note: 760mm tray is achieved with extra wide compensator

Overall tray dimension	A	B	C	D	E	F	G	H	
								900mm	750mm
800 x 800mm	332mm	377mm	377mm	332mm	1880mm	800mm	800mm	91042N	91041N
820 x 820mm	342mm	387mm	387mm	342mm	1880mm	820mm	820mm	91044N	91043N
900 x 900mm	382mm	427mm	427mm	382mm	1880mm	900mm	900mm	91046N	91045N
1000 x 700mm	432mm	477mm	327mm	282mm	1880mm	1000mm	700mm	91049L/R	91047L/R
1000 x 1000mm	432mm	477mm	477mm	432mm	1880mm	1000mm	1000mm	91050N	91048N
1200 x 700mm	532mm	577mm	327mm	282mm	1880mm	1200mm	700mm	91057L/R	91053L/R
1200 x 760mm	532mm	577mm	327mm	282mm	1880mm	1200mm	760mm	91217L/R	91216L/R
1200 x 820mm	532mm	577mm	387mm	342mm	1880mm	1200mm	820mm	91058L/R	91054L/R
1200 x 900mm	532mm	577mm	427mm	382mm	1880mm	1200mm	900mm	91060L/R	91056L/R
1300 x 700mm	582mm	627mm	327mm	282mm	1880mm	1300mm	700mm	91063L/R	91061L/R
1300 x 820mm	582mm	627mm	387mm	342mm	1880mm	1300mm	820mm	91064L/R	91062L/R
1050 x 1050mm	432mm	477mm	477mm	432mm	1880mm	1050mm	1050mm	91215N	91214N
1250 x 750mm	532mm	577mm	327mm	282mm	1880mm	1250mm	750mm	91219L/R	91218L/R
1350 x 750mm	382mm	627mm	327mm	282mm	1880mm	1350mm	750mm	91221L/R	91220L/R

Denotes multi spec/pipe duct screens

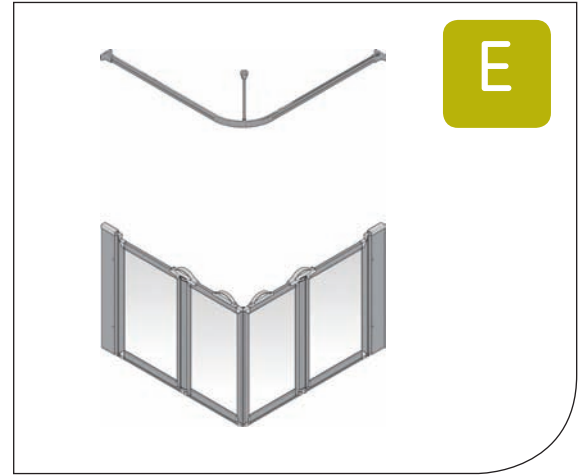


**Option E Standard Shower Screen** is available as part of the Silverdale<sup>®</sup> shower screens range.  
Please see pages 3-4 of this document for further information.

**Product Overview:** Half Height Option E Silver finish Carer Screen with bi-fold door to both sides opening in and out. L-shaped curtain rail supplied.

- Features:**
- Smooth modern latches and D handles
  - 180° hinges enable doors to open both inwards and outwards
  - Bi-fold screens feature 360° hinges
  - Unique locking rising butt two-way hinges
  - Elastomeric gaskets provide a high integrity, watertight seal
  - Stronger and improved designed seals for a continuous water barrier
  - Curtain rail drop rods are 600mm long where supplied
  - All hinges and caps made from hardwearing Nylon 6
  - Handles included
  - Stylish silver finish

- Benefits:**
- Half height screens give easy carer access
  - Easy clean finish available in clear or frosted glazing to suit any modern bathroom
  - A stronger magnetic strip increases water retention
  - Robust frames for a longer life
  - Stronger fittings provide increased product life
  - PET panels gives shatterproof glazing for added safety
  - Quality curtains provided as standard for half height screens
  - Stylish silver finish
  - Easy to fit
  - Can be installed with a variety of shower tray configurations



**Guarantee:**

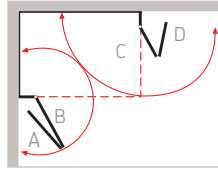


\* The lifetime warranty excludes normal wear and tear in general applications. It applies only to products being installed for the first time and according to relevant local and national regulations. PRODUCT MUST BE FITTED IN ACCORDANCE WITH AKW INSTALLATION INSTRUCTIONS.

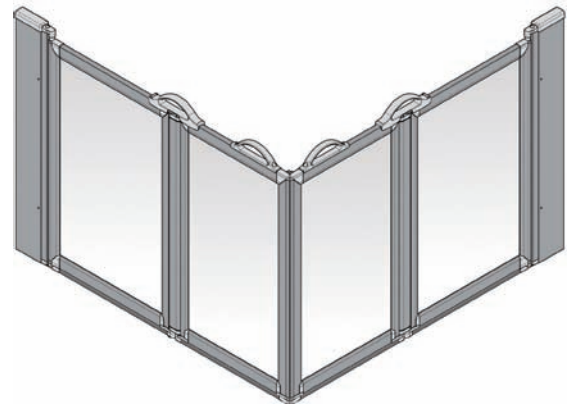
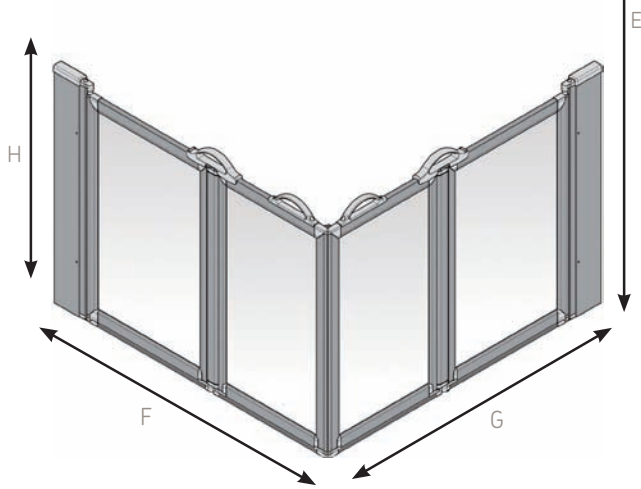
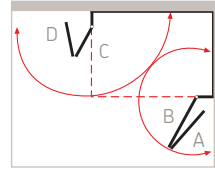
**Dimensions:**



Left hand



Right hand



*Product codes on page 5*

**Codes:**



	Silverdale <sup>®</sup> option E Screen Only	Handing	900mm high	750mm high
	800 x 800 - Clear	Non-handed	91042NSC	91041NSC
	800 x 800 - Frosted	Non-handed	91042NSF	91041NSF
	820 x 820 - Clear	Non-handed	91044NSC	91043NSC
	820 x 820 - Frosted	Non-handed	91044NSF	91043NSF
	900 x 900 - Clear	Non-handed	91046NSC	91045NSC
	900 x 900 - Frosted	Non-handed	91046NSF	91045NSF
	1000 x 700 - Clear	Left Hand	91049LSC	91047LSC
	1000 x 700 - Frosted	Left Hand	91049LSF	91047LSF
	1000 x 700 - Clear	Right Hand	91049RSC	91047RSC
	1000 x 700 - Frosted	Right Hand	91049RSF	91047RSF
	1000 x 1000 - Clear	Non-handed	91050NSC	91048NSC
	1000 x 1000 - Frosted	Non-handed	91050NSF	91048NSF
	1200 x 700 - Clear	Left Hand	91057LSC	91053LSC
	1200 x 700 - Frosted	Left Hand	91057LSF	91053LSF
	1200 x 700 - Clear	Right Hand	91057RSC	91053RSC
	1200 x 700 - Frosted	Right Hand	91057RSF	91053RSF
	1200 x 820 - Clear	Left Hand	91058LSC	91054LSC
	1200 x 820 - Frosted	Left Hand	91058LSF	91054LSF
	1200 x 820 - Clear	Right Hand	91058RSC	91054RSC
	1200 x 820 - Frosted	Right Hand	91058RSF	91054RSF
	1200 x 900 - Clear	Left Hand	91060LSC	91056LSC
	1200 x 900 - Frosted	Left Hand	91060LSF	91056LSF
	1200 x 900 - Clear	Right Hand	91060RSC	91056RSC
	1200 x 900 - Frosted	Right Hand	91060RSF	91056RSF
	1300 x 700 - Clear	Left Hand	91063LSC	91061LSC
	1300 x 700 - Frosted	Left Hand	91063LSF	91061LSF
	1300 x 700 - Clear	Right Hand	91063RSC	91061RSC
	1300 x 700 - Frosted	Right Hand	91063RSF	91061RSF
	1300 x 820 - Clear	Left Hand	91064LSC	91062LSC
	1300 x 820 - Frosted	Left Hand	91064LSF	91062LSF
	1300 x 820 - Clear	Right Hand	91064RSC	91062RSC
	1300 x 820 - Frosted	Right Hand	91064RSF	91062RSF

Please Note: Compensators are set at mid point giving 14.5mm in and out adjustment on both sides  
Silverdale screens are not suitable with pipe duct kits and Multi Spec trays