


Product Overview: Single freestanding glass screen supported by wall brace.

- Features:**
- Contemporary polished aluminium finish
 - Support rails rotate for multi-angle connections
 - Water tight high integrity seal included

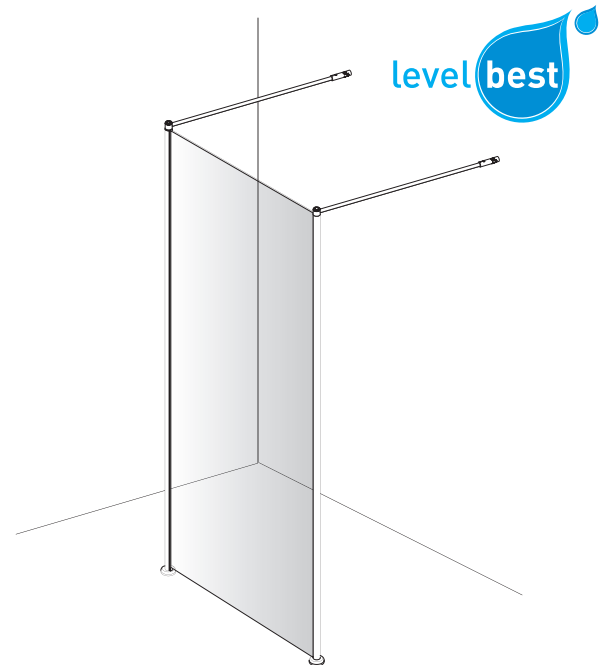
- Benefits:**
- Full height glass screens compliment any elegant bathroom
 - Easy installation



Certification:



- Safety glass to EN 12600 Class 1

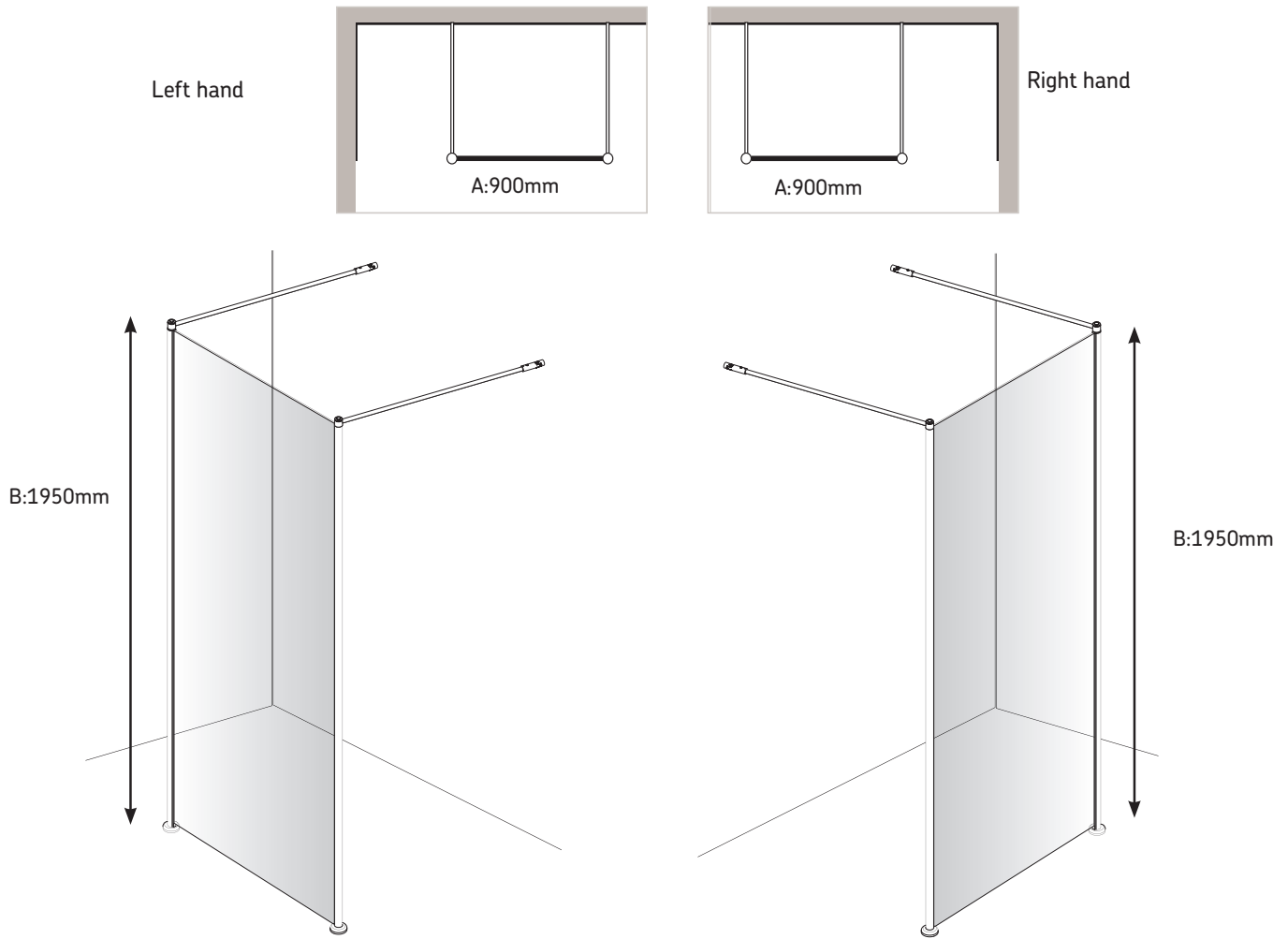


Product Specification:

- 6mm Safety glass to EN 12600 Class 1
- 700mm, 800mm, and 900mm pre-drilled tie bars available to connect two screens
- Left hand & right hand reversible options
- Cut-to-length support rails rotate for multi-angle connections
- 12-15 mm gap to floor for easy cleaning
- Easy to fit
- Can be installed with a variety of shower tray configurations

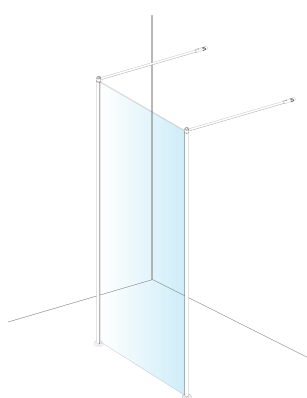
* The lifetime warranty excludes normal wear and tear in general domestic applications. It applies only to products being installed for the first time and according to relevant local and national regulations.

Dimensions: Example shown is the 900 x 1950mm Option GB Screen, non handed

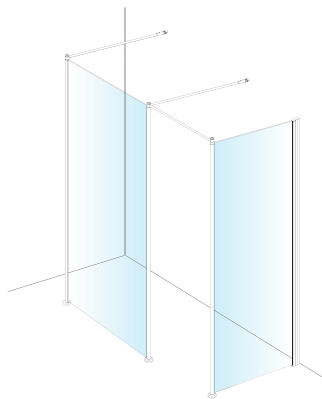


Screen sizes	A	B	Code
900 x 1950mm	900mm	1950mm	LB00111
1000 x 1950mm	1000mm	1950mm	LB00112

Level Best[®] Screen Configurations



1 x **GB** Freestanding screen (Non Handed)



1 x **GB** freestanding screen
1 x **GA** wall mounted screen

Glass screens are 6mm thick

Tie bars (optional & extra)

- 700mm length **LB00123**
- 800mm length **LB00124**
- 900mm length **LB00125**

Wall brace

- 1400mm length **LB00126**
(can be trimmed)