

Product Overview

Livenza Plus wash basins are designed to be both practical and beautiful; available in three widths with the choice of semi or full pedestal to provide stability and conceal unsightly pipework.

Basins – Features & Benefits

- + Available in three widths: 450mm, 500mm & 550mm
- + Rounded edges and corners minimise the risk of injury in the event of a trip or fall.
- + Choice of 1 or 2 tap holes, allowing for the use of basin or mixer taps.
- + Contemporary yet functional design, with a flat tap deck providing a level surface which is easy to clean.
- + 1 tap hole basins allow for the use of either a clicker waste, or plug and chain anchor waste, both of which are available to purchase separately.
- + 2 tap hole basins feature a chain stay hole, with plug and chain anchor waste available to purchase separately.

Pedestal – Features & Benefits

- + Choice of either semi or full pedestal which perfectly complement the Livenza Plus range of wash basins.
- + Standard double-ended bolts supplied with the semi pedestal to provide ease of installation for competent tradespeople.
- + Ultra stylish semi pedestal design gives the illusion of greater space, allows for much easier cleaning and convenience, whilst also providing closer access for seated or wheelchair users.
- + Full pedestal design provides a more traditional aesthetic, offers greater stability, and cleverly conceals plumbing.
- + Pedestal, waste and taps supplied separately.
- + Components are individually packaged with recyclable materials to prevent damage in transit.

Livenza Plus

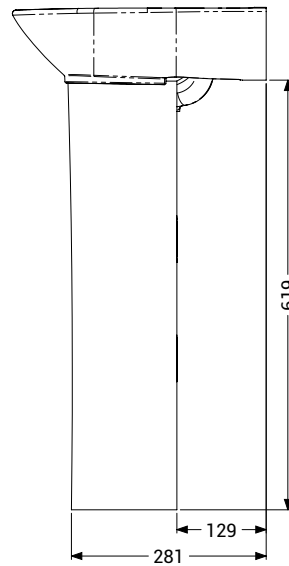
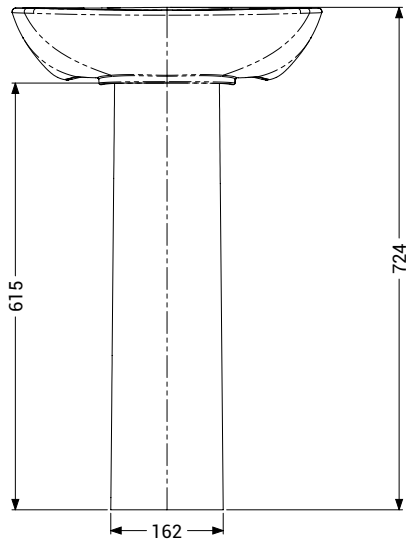
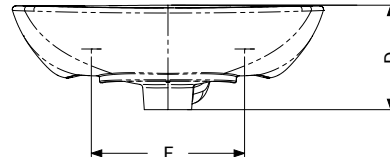
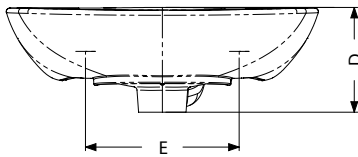
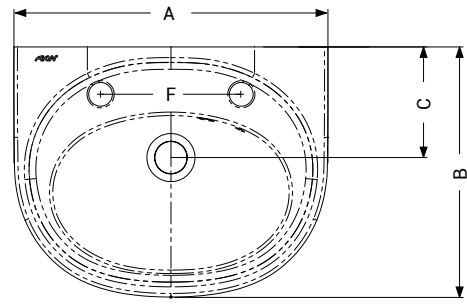
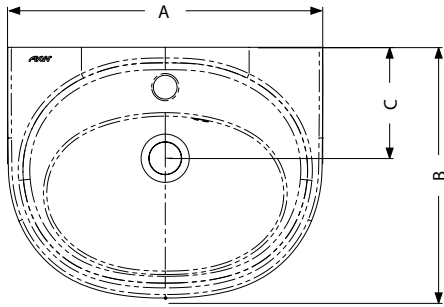


Guarantees & Approvals

- + Lifetime warranty*
- + BS EN 14688

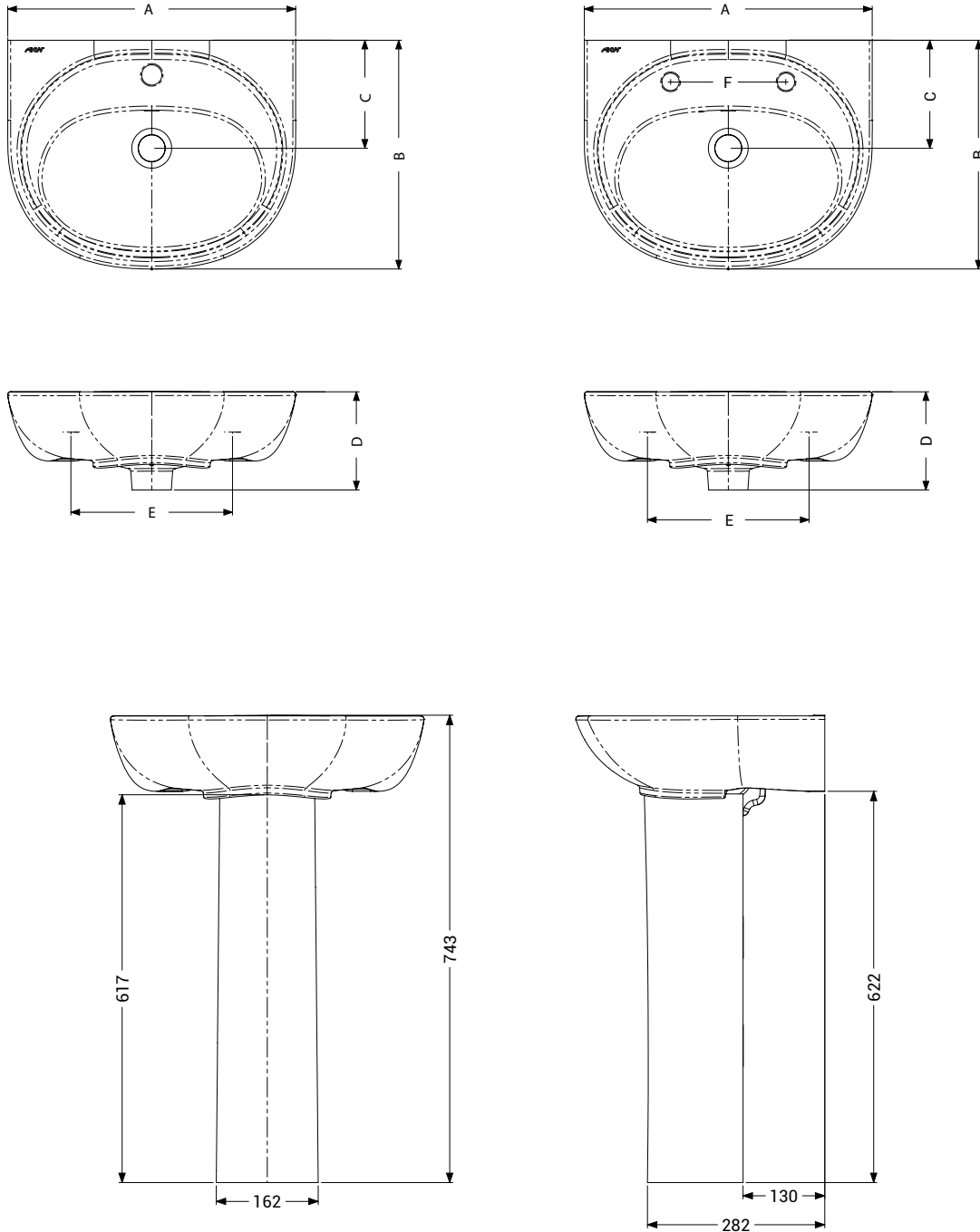


Dimensions



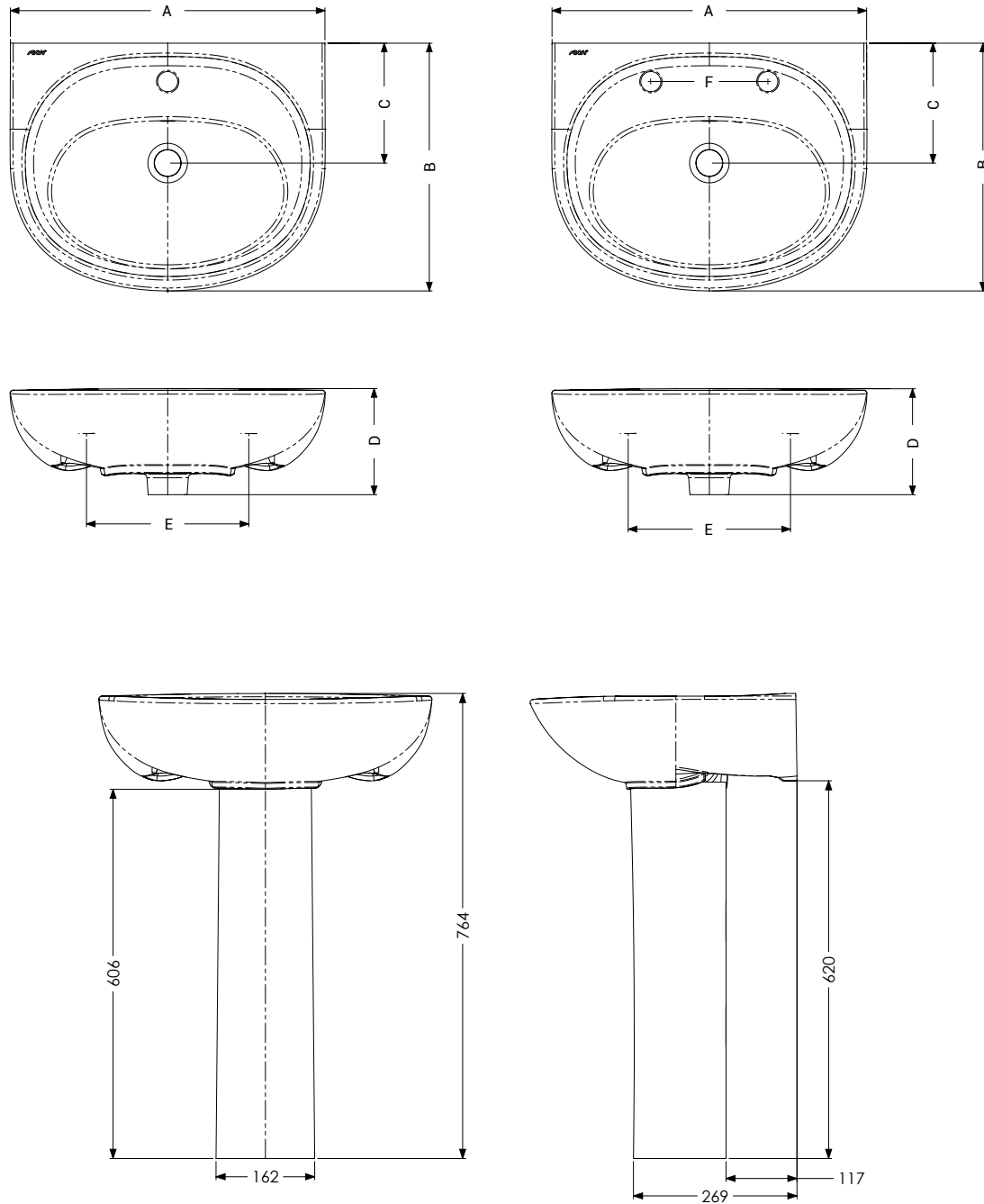
450mm wash basin with full pedestal

Dimensions



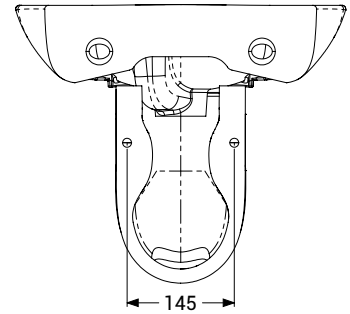
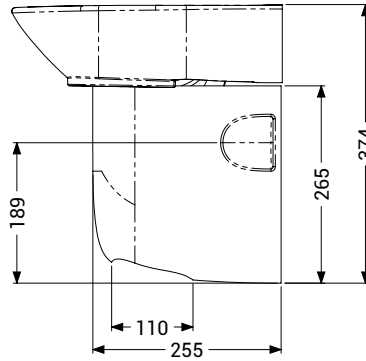
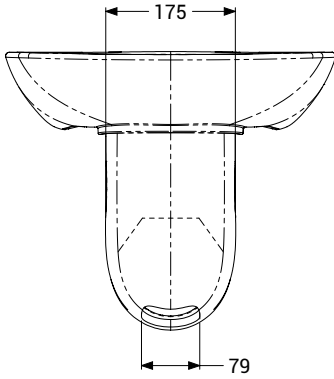
500mm wash basin with full pedestal

Dimensions

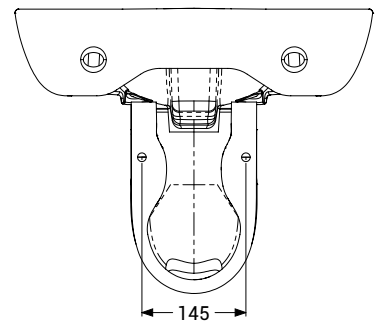
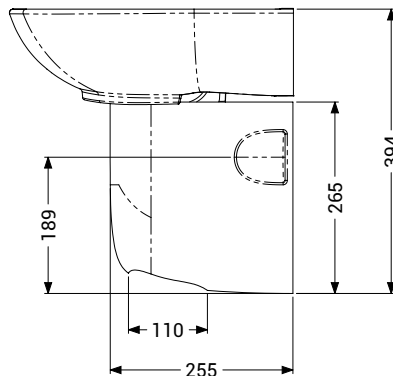
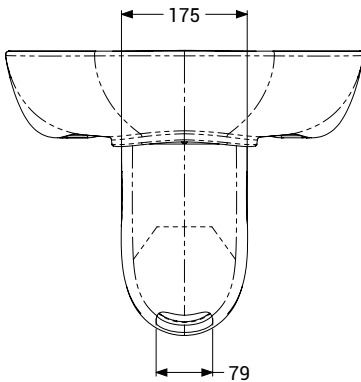


550mm wash basin with full pedestal

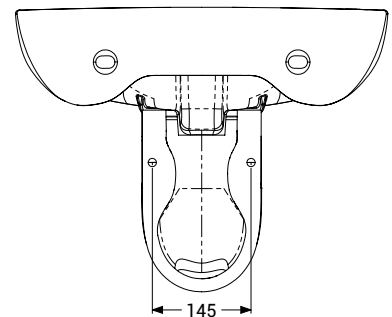
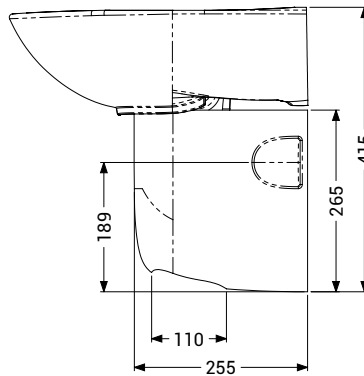
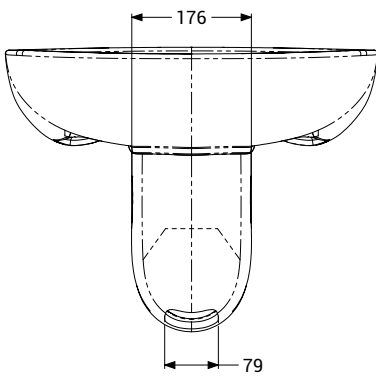
Dimensions



Semi pedestal for 450mm wash basin



Semi pedestal for 500mm wash basin



Semi pedestal for 550mm wash basin

Livenza Plus Basin Dimensions:

Product	Volume	Dimension					
		A Width	B Depth	C Distance to waste	D Height	E Fixing holes	F Distance to taps
450mm basin 1 tap hole	1.7 Litres	450	365	160	150	220	n/a
450mm basin 2 tap hole	1.7 Litres	450	365	160	150	220	200
500mm basin 1 tap hole	2.8 Litres	500	395	185	170	280	n/a
500mm basin 2 tap hole	2.8 Litres	500	395	185	170	280	200
550mm basin 1 tap hole	4.5 Litres	550	430	185	185	280	n/a
550mm basin 2 tap hole	4.5 Litres	550	430	185	185	280	200

Product Codes:

Livenza Plus semi pedestal	23915
Livenza Plus full pedestal	23909
Livenza Plus wash basin 450mm 1 tap hole	23907
Livenza Plus wash basin 450mm 2 tap hole	23912
Livenza Plus wash basin 500mm 1 tap hole	23903
Livenza Plus wash basin 500mm 2 tap hole	23913
Livenza Plus wash basin 550mm 1 tap hole	23908
Livenza Plus wash basin 550mm 2 tap hole	23914

Spares

Semi ped fixing kit	23898
Livenza Plus basin-to-wall fixing kit	23897

Related compatible products:

Slotted basin waste with plug chain anchor	18-003-032
Clicker basin waste	23385
Chrome-plated brass waste with plug	13-009-030
Basin 1 1/4" 32mm bottle trap – chrome	08-006-038
Basin 1 1/4" 32mm bottle trap – white	08-006-040
Lever handle basin taps (pair)	23196CH
AKW Denova wash basin taps (pair)	23189
Monobloc spray mixer tap – polished chrome finish	23118
TMV3 thermostatic mixer tap	23116A
AKW Denova basin mono mixer tap inc clicker waste	23316
Cross Head Basin Taps (Pair)	23629
15mm blending valve	23382
22mm blending valve	23383
Flexi hose with valve 15mm compression to 1/2" BSP 300mm LG x 2	30090
1/2 inch BSP to 15mm push-fit flexi hose 300mm x 2	30096
Flexi hoses 15mm compression to 1/2" BSP 300mm LG x 2	30048