

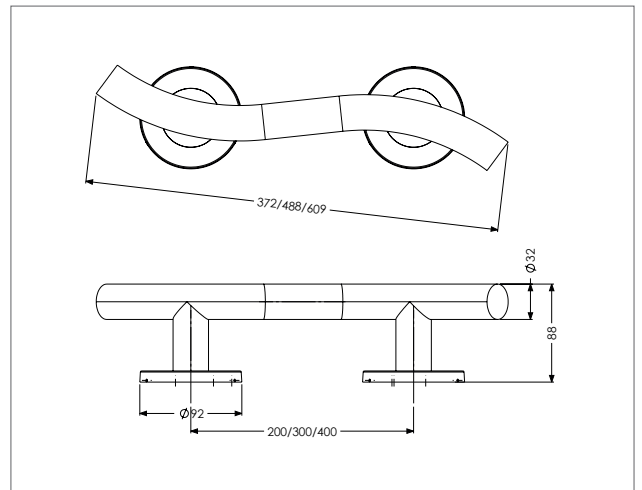
Product Overview

AKW's Curved Stainless Steel Grab Rails offer stability to people with reduced mobility when moving around the bathroom, entering/exiting the shower, or lowering down to/rising from the toilet.

Available with a brushed stainless steel finish, the discreet yet contemporary design features concealed fixings and a curved tubular rail which blends into the home while ensuring support is there when it is needed most.

Features & Benefits

- + Available in 200 / 300 / 400mm lengths
- + Curved tubular rail with 32mm diameter offers support to people when moving around the bathroom
- + Strong and durable 304 stainless steel construction ensures rails provide a maximum weight capacity of 150kg / 23.5st
- + 9 fixing points available per wall bracket offering flexibility to fit multiple screws where needed; each rail has 2 wall brackets
- + All fixing points are concealed by a removable bracket cover which makes the rail easier to clean and protects internal components from exposure to water, dust and dirt
- + Offered in a brushed stainless steel finish which is simple to maintain
- + Minimalist, contemporary design able to withstand everyday use
- + Quick and easy-to-install, fixings not supplied



Technical Specification

- + **Construction Material:** 304 stainless steel
- + **Rail Lengths:** 200 / 300 / 400mm
- + **Rail Diameter:** 32mm
- + **Wall Clearance:** 56mm
- + **Maximum Weight Load:** 150kg / 23.6st
- + **Wall Fixing Points:** 9 per bracket, 18 per rail
- + **Colour / Finish:** Brushed stainless steel
- + **Wall Fixings not supplied**

Product Codes

Curved Stainless Steel Grab Rail 200mm	01270
Curved Stainless Steel Grab Rail 300mm	01271
Curved Stainless Steel Grab Rail 400mm	01272

