

## Product Overview

This pack includes everything needed to assemble a fully compliant washroom. It features a close-coupled WC with lever flush and 750mm projection, a finger rinse wash basin with Monobloc mixer tap, and a selection of grab rails able to support up to 30st (200kg).

## Pack Specification

- + Navlin Doc M raised-height, rimless toilet pan with 750mm projection
- + Water-saving, close-coupled cistern with spatula lever flush and screw-down lid
- + Ergonomic toilet seat with lid, soft-close hinges and seat lugs (available in blue, white, dark blue or mid-grey)
- + Navlin Doc M finger rinse 400mm wash basin with two tap holes
- + Monobloc spray mixer tap
- + 600mm straight grab rails with an epoxy resin coating (available in white, dark blue or mid-grey) or fluted uPVC finish (choose from blue, white, dark blue or mid-grey) x 4
- + 450mm straight grab rail with an epoxy resin coating (available in white, dark blue or mid-grey) or fluted uPVC finish (choose from blue, white, dark blue or mid-grey)
- + Fold-up rail with an adjustable leg and optional toilet roll holder, finished with an epoxy resin coating (available in blue, white, dark blue or mid-grey), and treated with a rust inhibitor



## Guarantees & Approvals

- + WC conforms to BS EN 997 and current UK Water Supply (Water Fittings) Regulations
- + Wash basin conforms to BS EN 14688
- + AKW are self-certifying and supplying approved flush fittings in line with current UK water regulations for compliance purposes
- + WRAS approved cistern fittings



Sanitaryware (ceramic), toilet seats, brassware & grab rails



Flush fittings & fold-up rails



Cistern fittings & brassware



## Features & Benefits

- + **Rimless toilet pan with direct flushing technique** offers improved hygiene levels by reducing the build-up of bacteria and making cleaning easier
- + **480mm raised-height toilet pan** (height with seat affixed) complies with Doc M guidelines, with **extended 750mm projection** to aid with side transfer
- + **Ergonomic toilet seat (with lid)** is shaped for comfort and easy cleaning, comes with seat lugs for stability when side transferring, and soft-close hinges for safety
- + **Spatula lever flush cistern** can be easily operated by hand, closed fist, or elbow, ideal for those with limited dexterity, with a **screw-down lid** for added security and safety in public facilities
- + **Full (6 litre) and reduced flush options** increase performance and water efficiency
- + **Two tap hole finger rinse wash basin** for flexibility when installing – blanking plug supplied
- + **Monobloc spray mixer tap** with stylish lever handle design
- + **uPVC fluted grab rails** offer superb grip even when wet and support loads of up to 15.5st (100kg)



- + **Stainless-steel grab rails** benefit from a durable coating and support loads of up to 23.5st (150kg)
- + **Fold-up rail** is available in multiple colours to offer high contrast, supports loads of up to 30st (200kg), features an **adjustable leg** and optional toilet roll holder, is finished with an epoxy resin coating and is treated with a rust inhibitor for longevity
- + **Components individually packaged** in recyclable materials to prevent damage during transit

## Product Codes

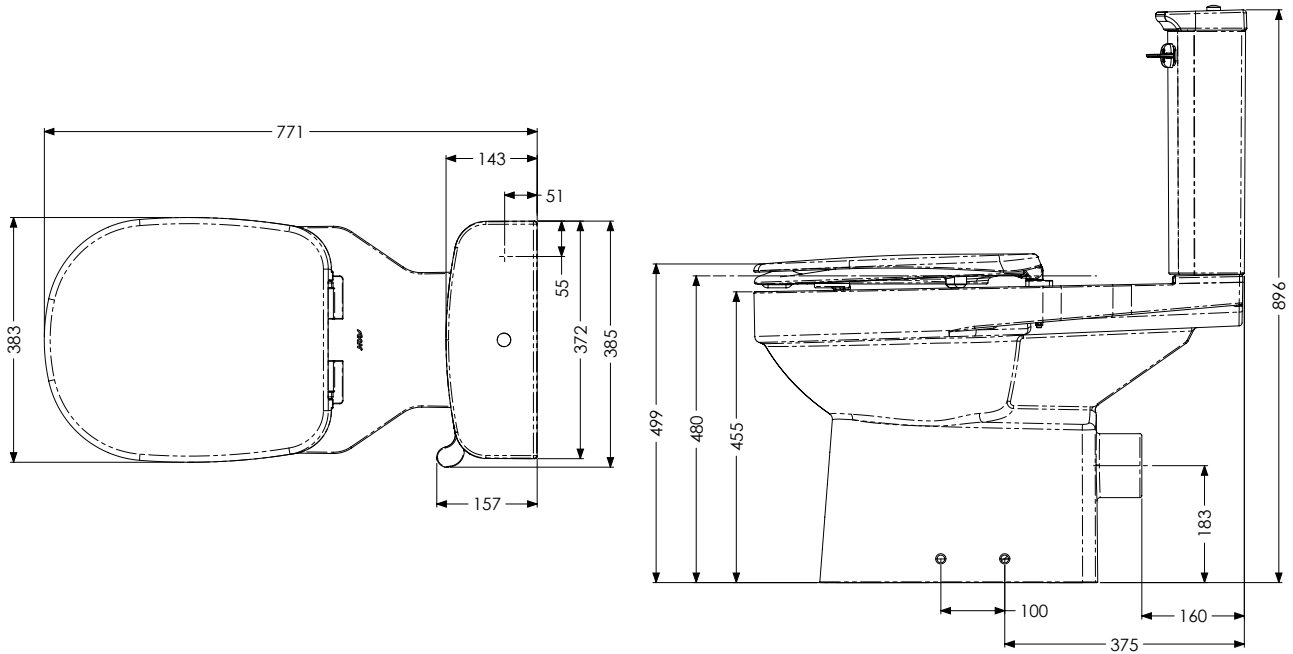
**Pack 3** Close-Coupled Std Doc M Pack

Fluted Blue	28312FBU
Fluted White	28312FWH
Fluted Dark Blue	28312FDB
Fluted Mid-Grey	28312FMG
Stainless White	28312SWH
Stainless Dark Blue	28312SDB
Stainless Mid-Grey	28312SMG

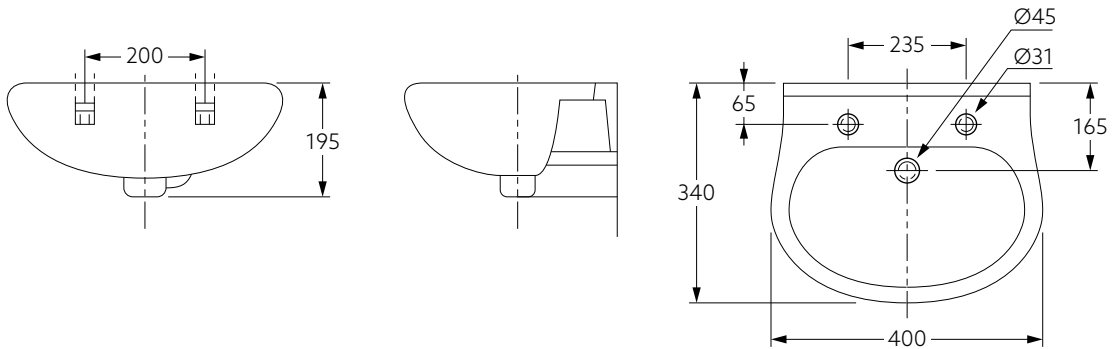
**Related Products**

<b>Pack 1</b>	Fully Compliant Close-Coupled Doc M Pack – Fluted Blue	28310FBU
<b>Pack 2</b>	Fully Compliant Low-Level Doc M Pack – Fluted Blue	28311FBU
<b>Pack 4</b>	Low-Level Std Doc M Pack	
	Fluted Blue	28313FBU
	Fluted White	28313FWH
<b>Pack 5</b>	Close-Coupled Std Doc M Pack with TMV3 Mixer Tap	
	Fluted Blue	28314FBU
	Fluted White	28314FWH
	Fluted Dark Blue	28314FDB
	Fluted Mid-Grey	28314FMG
	Stainless White	28314SWH
	Stainless Dark Blue	28314SDB
	Stainless Mid-Grey	28314SMG
<b>Pack 6</b>	Low-Level Std Doc M Pack with TMV3 Mixer Tap	
	Fluted Blue	28315FBU
	Fluted White	28315FWH
<b>Pack 7</b>	Close-Coupled Contemporary Doc M Pack – Stainless Steel	28319SS
<b>Pack 8</b>	Low-Level Contemporary Doc M Pack – Stainless Steel	28316SS
<b>Pack 9</b>	Close-Coupled Peninsular Doc M Pack	
	Fluted Blue	28317FBU
	Fluted White	28317FWH
<b>Pack 10</b>	Close-Coupled Ambulant Doc M Pack	
	Fluted Blue	28318FBU
	Fluted White	28318FWH

**Dimensions**



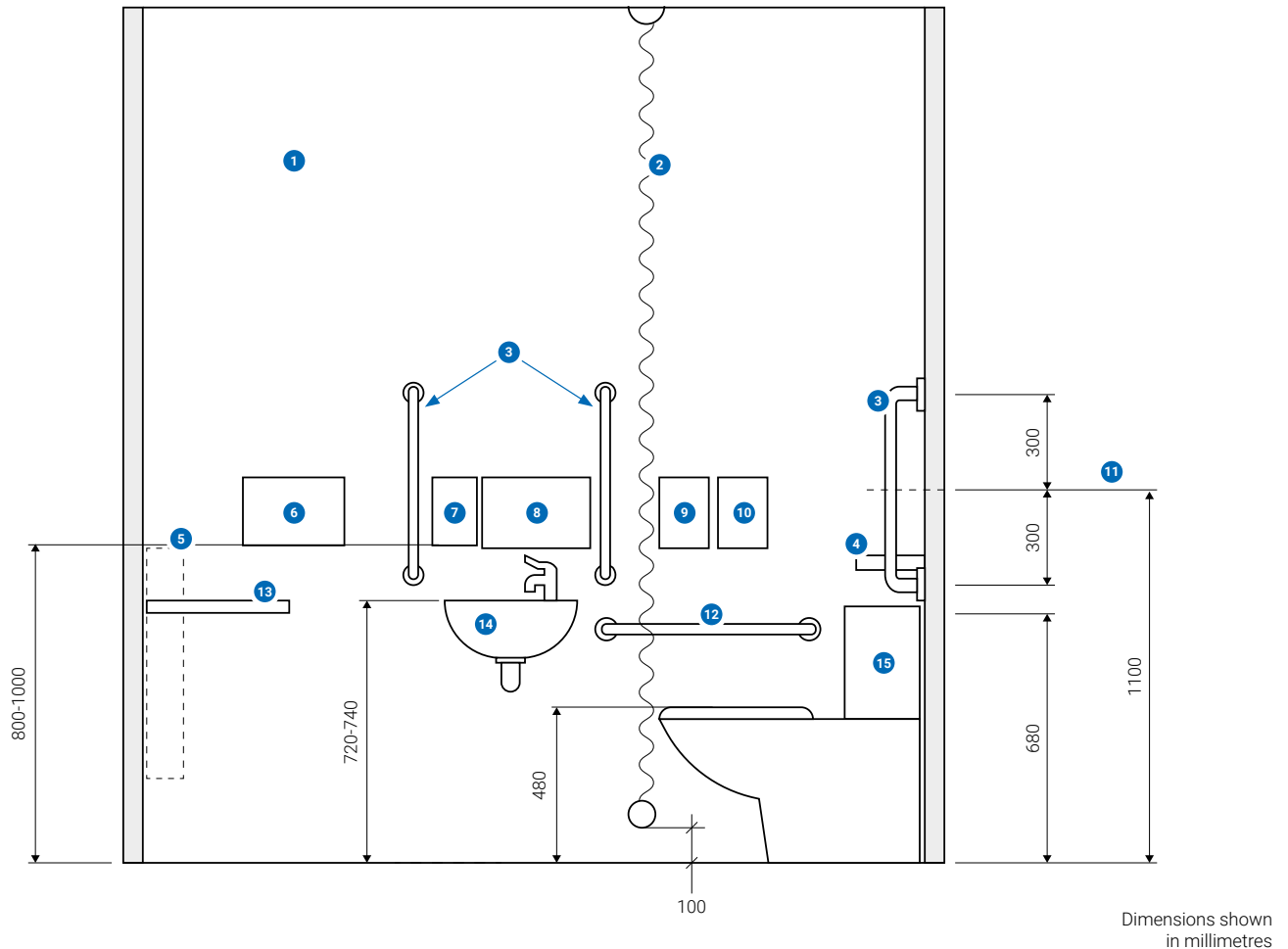
Navlin Doc M Close-Coupled WC with 750mm projection, lever flush, and ergonomic toilet seat with lid



Navlin Doc M Finger Rinse 400mm Wash Basin



## Doc M Installation – Side View



### Key

- |   |   |
|---|---|
| <p>1. Wall A (see plan view)</p> <p>2. Alarm pull cord with two red bangles</p> <p>3. Vertical grab rails installed above wash basin 500-700mm apart with basin positioned centrally below</p> <p>4. Colostomy bag changing shelf, installed 950mm above finished floor level *</p> <p>5. Sanitary dispenser, installed on wall adjacent to door, with coin slot positioned 750-1000mm above finished floor level</p> <p>6. Automatic hand dryer</p> <p>7. Soap dispenser</p> | <p>8. Paper towel dispenser</p> <p>9. Toilet tissue dispenser</p> <p>10. Alarm reset button</p> <p>11. Centre of vertical grab rails should be 1100mm</p> <p>12. Horizontal grab rail</p> <p>13. Shelf, installed 760mm above finished floor level</p> <p>14. Wash basin, mixer tap installed on side of basin nearest WC</p> <p>15. Flat-topped, close-coupled cistern, provides back rest and colostomy bag changing surface for standing users *</p> |
|---|---|

\* Where low-level cisterns are used, a rail with padded back rest should be provided, and a colostomy bag changing shelf, installed 950mm above finished floor level.

NOTE: Examples shown are for right-handed transfer to WC.