

## Product Overview

The AKW M11, M17 and M20 DigiPump<sup>®</sup> range provides quiet, reliable, and high-performance waste drainage in showering areas where gravity drainage is not achievable.

Quick and easy to install, AKW DigiPumps<sup>®</sup> are compatible with our wide range of pumped wastes and shower trays.

M11 models are ideal for use with electric showers as they offer a maximum capacity of 11 litres per minute; M17 and M20 models better suited for mixer showers with higher flow volumes and can drain up to 17 and 20 litres per minute.

For a wireless connection between the DigiPump<sup>®</sup> and SmartCare Plus<sup>®</sup> and SmartCare<sup>®</sup> Lever electric showers, the AKW Wireless Pump Module is available. To aid with any additional drainage when the shower is not running, such as when cleaning the shower area, a wall-mounted Auxiliary Switch is also now available to order.

## Features

- + Adjusting the settings of the delay and run on times allows the pump to be calibrated to suit each installation ensuring quiet operation
- + Superior pump performance with between 11-20lpm maximum capacity in a 'real life scenario'
- + Safe for use in Zones 1 & 2 with IP45 rating
- + Reversible pump head features four valves with flap valve and bowl design
- + Two non-return valves to prevent water flowing back through pump
- + Suitable for use with wide range of electric and/or mixer showers including AKW, Mira, Triton and other brands
- + A hard-wired connection can be made to the flow sensor of an iTherm electric shower and many other brands
- + Offers a wireless connection to the flow sensor within AKW SmartCare Plus<sup>®</sup> and Smart Care<sup>®</sup> Lever electric showers
- + Automatically responds to the shower being operated through internal/external flow sensor
- + Quick to install and simple to service
- + Compatible with AKW wastes, trays and showers



## Benefits

- + Reduces unnecessary excess noise for a relaxed showering experience
- + Has been designed to be highly efficient and match the flow volumes of electric and mixer showers to ensure suitability for everyday use
- + IP45 rating confirms approval for installation within the showering area (Zones 1 & 2)
- + Pump head design allows for better removal of debris and installation of inlet pipework from either left or right
- + Compatibility with electric and mixer showers enables greater flexibility based on the individual needs of the user
- + Wired or wireless connections offer the installer flexibility when fitting, as this can be tailored to the space, with wireless connections eradicating the need for post-installation decorative work
- + Easy-to-use functionality that requires no additional effort by the user
- + Low maintenance solution that reduces inconvenience to users
- + Designed for operation effortlessly with compatible AKW products for a complete showering solution

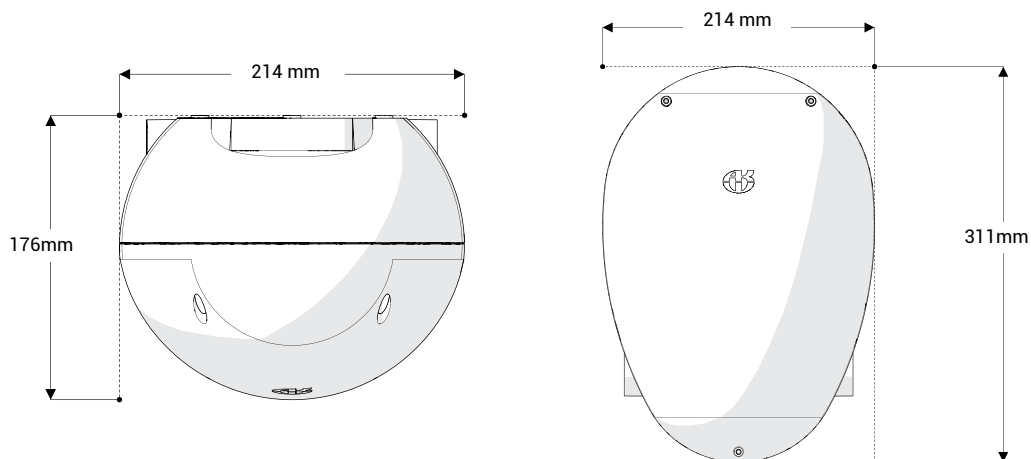
## Warranty & Approvals



- + BS EN 60335-1
- + BS EN 60335-2-41
- + EMC Directive 89/336/EEC
- + Low Voltage Directive 73/23/EEC

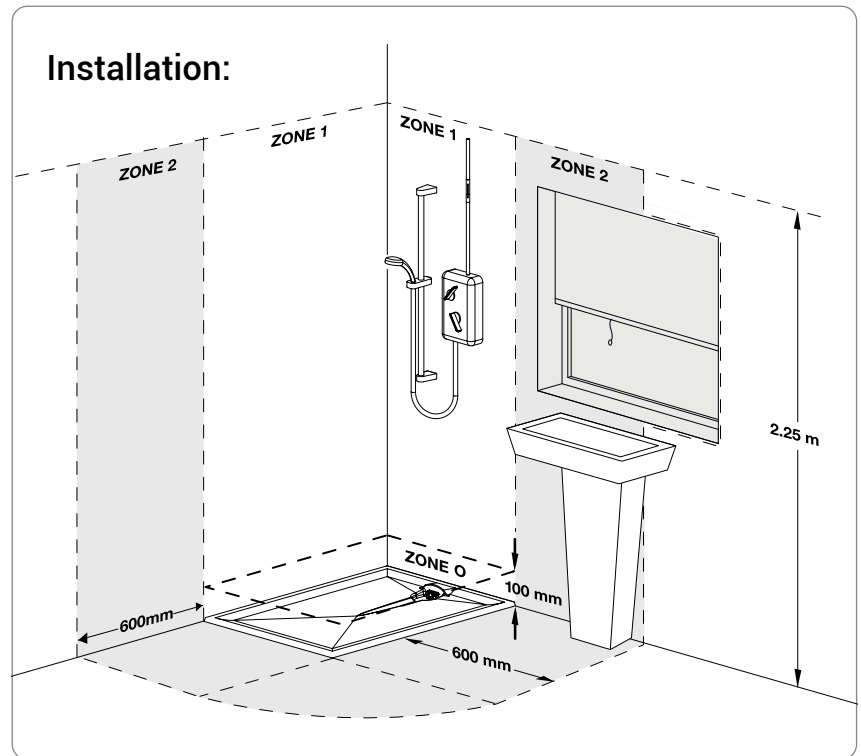


## Dimensions



## Product Specification

- + Uses AKW Flow Sensor
- + Increased accuracy when matched to shower flow rates
- + Pump head can be rotated to allow flow in either direction
- + Rated at IP45 and suitable for installation in zones 1 & 2 of a shower room
- + T5A fused internally
- + 24 VDC operation



Product Specification Table	M11	M17	M20
Shower compatibility	Electric	Mixer & electric	Mixer & electric
Max. capacity	11 litres per min	17 litres per min	20 litres per min
Inlet connectors	15mm	22mm	22mm
Outlet connectors	22mm	22mm	22mm
Max. outlet head	1m (39in)		
Max. inlet lift	0.5m (20in)		
Max. combined head and lift	1.5m (59in)		
Duty cycle	30 mins max. on 50% duty (30 mins on / 30 mins off)		
Flow meter input settings	On/Off, 600, 1000 (default), 2200 pulses per min		
Supply	230V AC 50Hz 100W		

## Product Codes

### DigiPump® only

M11 DigiPump®	25470
M17 DigiPump®	25450
M20 DigiPump®	25460

### Optional Extras

DigiPump® Auxiliary Pump Switch	25488
---------------------------------	-------

### DigiPump® & Waste Kits

M11 DigiPump® kit without waste	25471
M11 DigiPump® with Standard 50mm Diameter Chrome Waste (15mm)	25472
M11 DigiPump® with 90mm Diameter Chrome Waste (15mm)	25473
M11 DigiPump® with Tuff Form Pumped Waste (PGTF) (15mm)	25474
M11 DigiPump® with Screedmaster Waste (15mm)	25475
M11 DigiPump® with Silentflow+ Waste (PGTF) (22mm with 15mm reducer)	25476
M17 DigiPump® kit without waste	25451
M17 DigiPump® with Standard 50mm Diameter Chrome Waste (22mm)	25452
M17 DigiPump® with 90mm Diameter Chrome Waste (22mm)	25453
M17 DigiPump® with Screedmaster Waste (22mm)	25455
M17 DigiPump® with Silentflow+ Waste (PGTF) (22mm)	25458
M17 DigiPump® service kit (Inc. 2 x NRVs)	25457
M20 DigiPump® kit without waste	25481
M20 DigiPump® with Standard 50mm Diameter Chrome Waste (22mm)	25482
M20 DigiPump® with 90mm Diameter Chrome Waste (22mm)	25483
M20 DigiPump® with Screedmaster Waste (22mm)	25485
M20 DigiPump® with Silentflow+ Waste (PGTF) (22mm)	25486

**M11 DigiPump®, Wireless Pump Interface Module,  
AKW SmartCare Plus® Electric Shower & Waste Kits**

		AKW SmartCare Plus® Electric Shower		
		10.5kW	9.5kW	8.5kW
Wastes	<b>No waste*</b>	29041WH	29042WH	29043WH
	<b>PW50 waste</b>	29032WH	29033WH	29034WH
	<b>PW90 waste</b>	29035WH	29036WH	29037WH
	<b>Screedmaster waste</b>	29038WH	29039WH	29040WH
	<b>Silentflow+ PGTF 22mm</b>	29026WH	29027WH	29028WH

\* Use in conjunction with an Upward Discharge Braddan Tray as the waste is factory-fitted in the shower tray.

**AKW Electric Showers with Wireless Interface Kit**

AKW SmartCare Plus 8.5kW and Wireless Interface	29012WP
AKW SmartCare Plus 9.5kW and Wireless Interface	29011WP
AKW SmartCare Plus 10.5kW and Wireless Interface	29010WP
AKW SmartCare Lever 8.5kW and Wireless Interface	29090P
AKW SmartCare Lever 9.5kW and Wireless Interface	29091P
AKW SmartCare Lever Care 8.5kW and Wireless Interface	29090CP
AKW SmartCare Lever Care 9.5kW and Wireless Interface	29091CP