

## Fold up Shower Seats – 4000 Series Standard Shower Seat

Issue 1 May 2016

### Product overview

4000 series shower seats have been design to accomodate a variety of individual needs of end users.

### Care features

- + Unique and innovative design will give years of trouble free service
- + Made from rust proof stainless steel
- + Available in white without padding
- + Blue cushion or grey cushion options available
- + Padded back and arms for additional support and comfort
- + Horseshoe shape for improved intimate hygiene

### Benefits

- + Designed in consultation with occupational therapists, end users and installers
- + Adjustable for comfort, with seat heights of between 390–640mm (provided by two sets of legs supplied as standard)
- + Sturdy design, carries weight up to 254kg/40 stone
- + Independent folding arms make it suitable for side transfers
- + + or - 13mm fine adjustment to support leg to allow for gradient in floor

### Product specification

Maximum Weight Limit 254kg / 40 stones

Blue pad option available to offer high contrast seating for visually impaired users

Quality Tested to BS EN 12182:1998 & BS EN 12727:2000

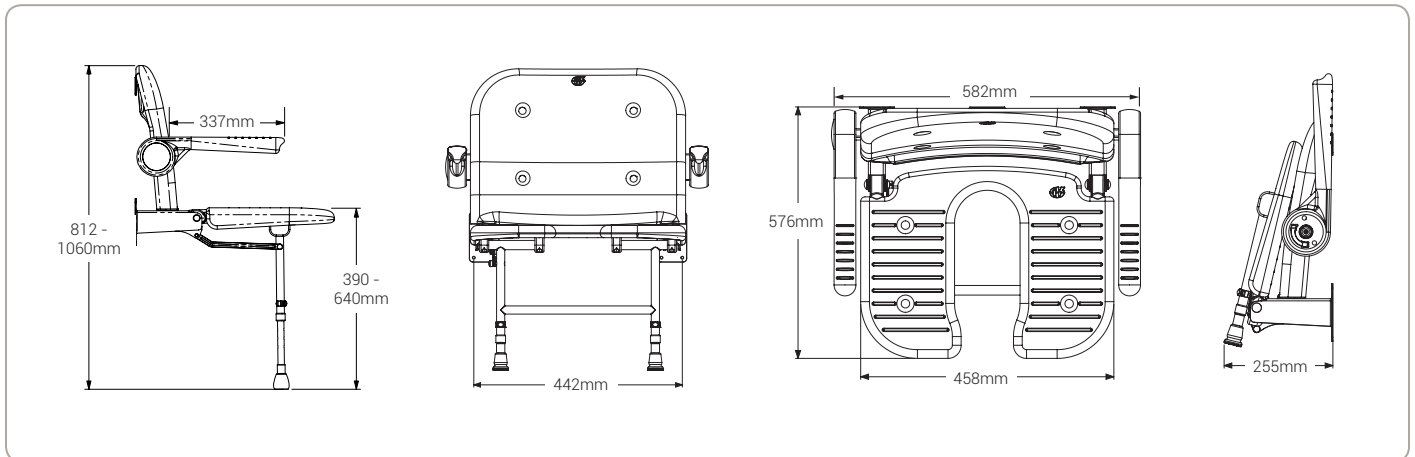
### Guarantee and approvals



Fold up Shower Seats – 4000  
Series Standard Shower Seat

Issue 1 May 2016

**Dimensions**



**Product codes**

**Seats**

AKW Part Number	Seat Colour	Arm Colour
04160	White	Blue
04160P	Blue Padded	Blue
04260	White	Grey
04260P	Grey Padded	Grey

**Accessories**

AKW Part Number	Description
04180	Blue spare horseshoe seat cushion
04280	Grey spare horseshoe seat cushion