

Product Overview: 4000 series shower seats have been designed to accommodate a variety of individual needs of end users. Extra width for additional comfort for bariatric users.

- Features:**
- Unique and innovative design will give years of trouble free service
 - Quality tested to BS EN 12182:1998 & BS EN 12727:2000
 - Made from rust proof stainless steel
 - Available without padding or with blue or grey seat cushion options

- Benefits:**
- Designed in consultation with occupational therapists, end users and installers
 - Adjustable for comfort, with seat heights of between 390–640mm (provided by two sets of leg height supplied as standard)
 - Sturdy design, carries weight up to 254kg/40 stone
 - + or - 13mm fine adjustment to foot or support leg to allow for gradient in floor



04570P

Guarantee:

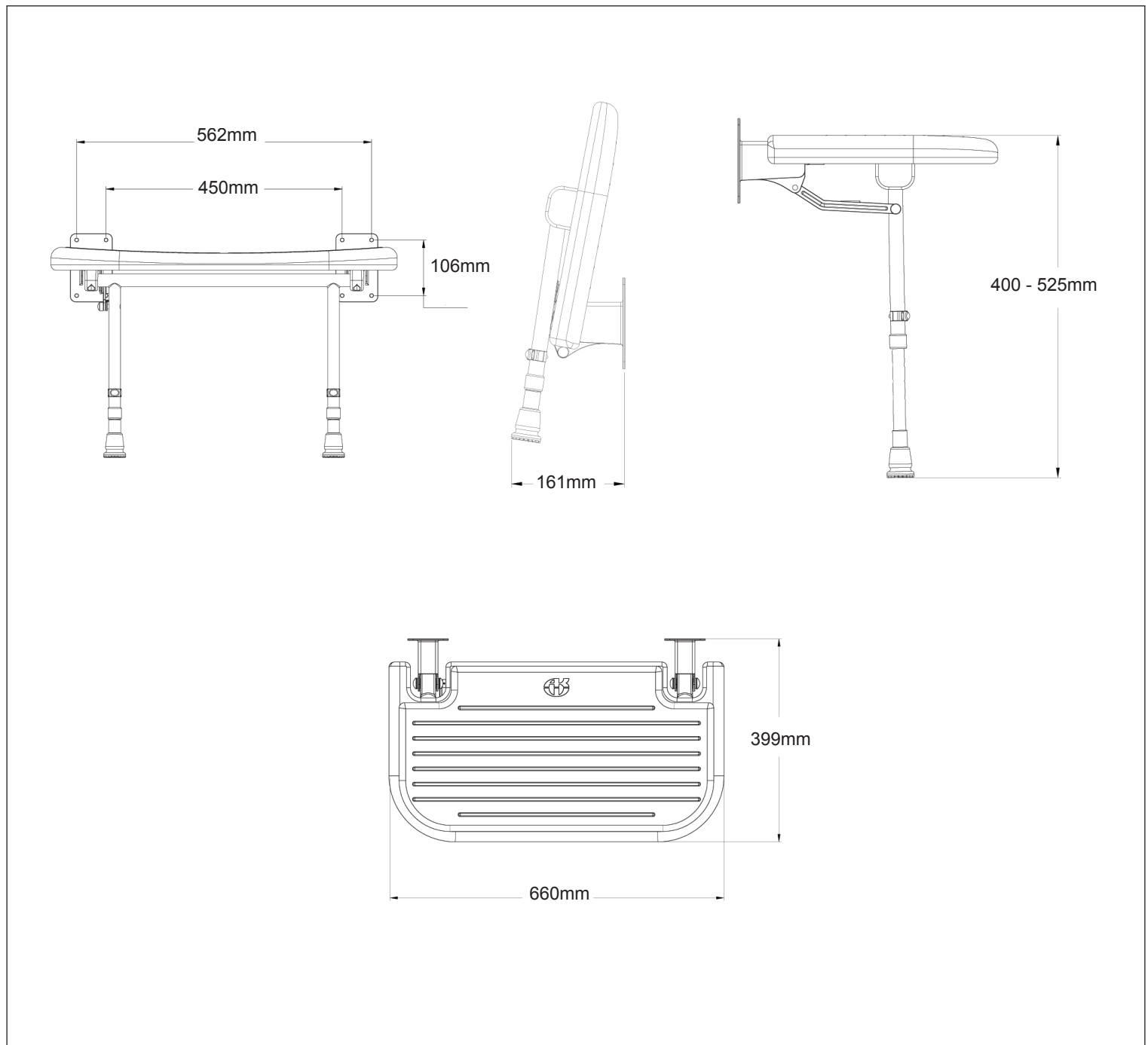


Product Specification:

- Maximum weight limit 254kg / 40 stone
- Blue padded option available to offer high contrast seating for visually impaired users
- Quality tested to BS EN 12182:1998 & BS EN 12727:2000

* The lifetime warranty excludes normal wear and tear in general applications. It applies only to products being installed for the first time and according to relevant local and national regulations. Product must be installed in accordance with AKW installation instructions.

Dimensions:



Larger Extra Wide Shower Seat Product Codes:

Seat colour	Arm colour	Overall width	Min. tray width	Max weight	Product code
White	N/A	660mm	820mm	40 stone / 254kg	04570
Blue padded	N/A	660mm	820mm	40 stone / 254kg	04580P
Grey padded	N/A	660mm	820mm	40 stone / 254kg	04570P
Accessories					Product code
Spare blue extra wide seat cushion					04585
Spare grey extra wide seat cushion					04575