

Product Overview: A stylish, practical and safe WC fully approved to all relevant standards

Features and Benefits:

- Rounded edges and corners for safety
- 3/6 litre flush for water efficiency
- Chrome push button dual flush
- Bottom inlet
- Exposed outlet for easy fitting and maintenance
- Secure floor fixings included with caps
- WRAS approved flush fittings included
- BS EN 997 approved pan for improved flush performance
- Matching wrap over seat available

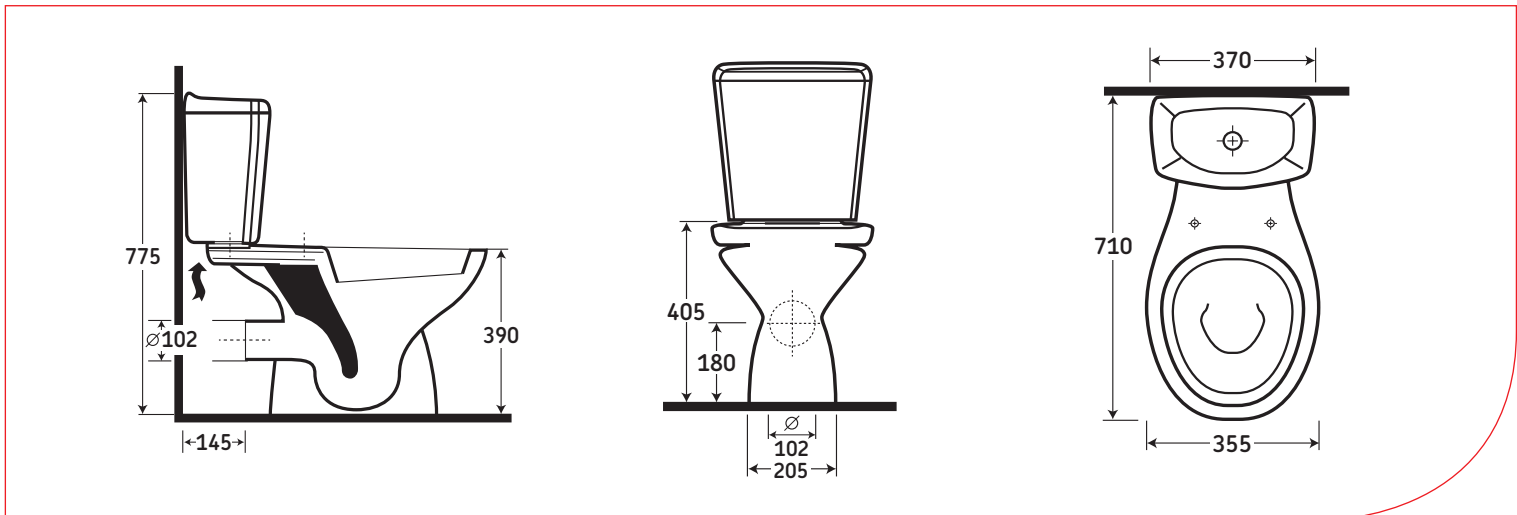
Guarantee & Certification:

- Lifetime warranty*
- WRAS approved



Close-Coupled Pan, Cistern and Seat

Dimensions and Product Codes:



Code	Description
23501	Standard close-coupled pan
23502	Cistern tank for close-coupled pan (including fittings)
23505	Seat for close-coupled pan