

Product Overview

The Livenza Plus toilet pan and cistern complement any bathroom look with a contemporary yet classic aesthetic, rimless toilet pan, fully compliant cistern, and choice of seat and flush options.

Features & Benefits

- + Rimless toilet pan with direct flushing technique offers improved hygiene levels by reducing the build-up of bacteria and making cleaning easier
- + Pan can support up to 60st (400kg) to cater a wide variety of users
- + Rounded edges and corners reduce the risk of injury in the event of a trip or fall
- + Two seat options – Carbamide model offers extra strength and durability, with our polypropylene PP seat a stylish, cost-effective solution – both feature soft-close hinges which are slower, quieter and safer for users, and support up to 23.5st (150kg)
- + BS EN 997 approved toilet pan for guaranteed flush performance
- + Available with either a raised push button or spatula lever flush, both of which can be easily operated by hand, closed fist or elbow
- + Optional sensor flush valve offers contact-free flushing and is available separately; order alongside the Livenza Plus Cistern with Raised Push Button Flush and install in place of the button flush mechanism/valve
- + Lever flush can be installed left or right-handed
- + Cisterns with lever or raised push button flush mechanisms offer full (6 litre) and reduced flush options for increased performance and water efficiency
- + Cistern is fitted with a top-fill inlet valve that has an all round air gap which fully complies with the current UK Water Regulations
- + Overflow pipe is 300mm above pan rim, fully complying with current UK Water Regulations
- + Bottom inlet water connection simplifies pipework
- + Supplied with fixing kit as standard

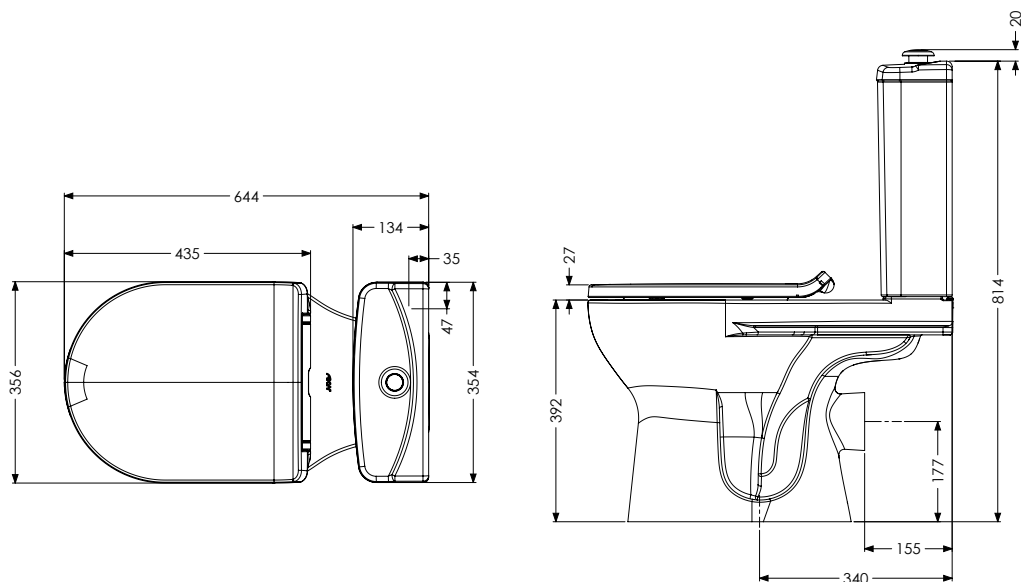
Livenza Plus



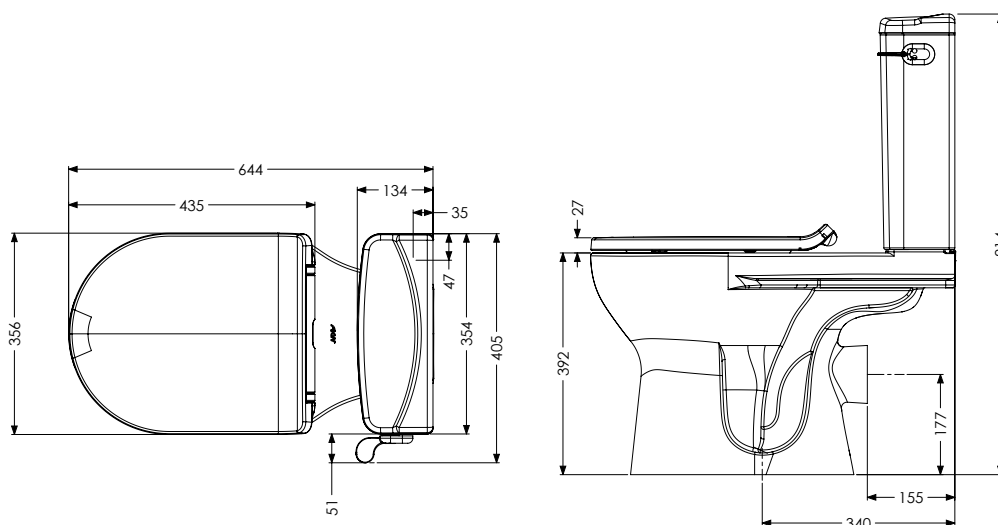
Close-Coupled Pan, Cistern & Seat

- + Horizontal outlet waste connection for easy installation and maintenance
- + Includes easy-to-secure floor fixings and white cosmetic caps to prevent rusting
- + Pan, seat and cistern (inc. flush mechanism) supplied separately
- + Components are individually packaged with recyclable material to prevent damage during transit

Dimensions

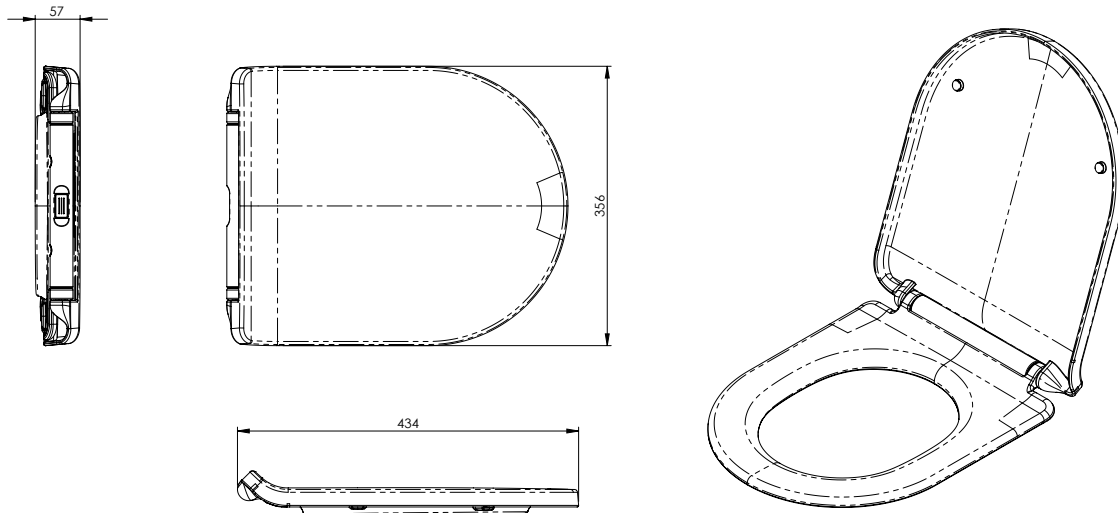


Livenza Plus Close-Coupled WC with Raised Push Button Flush & PP Seat

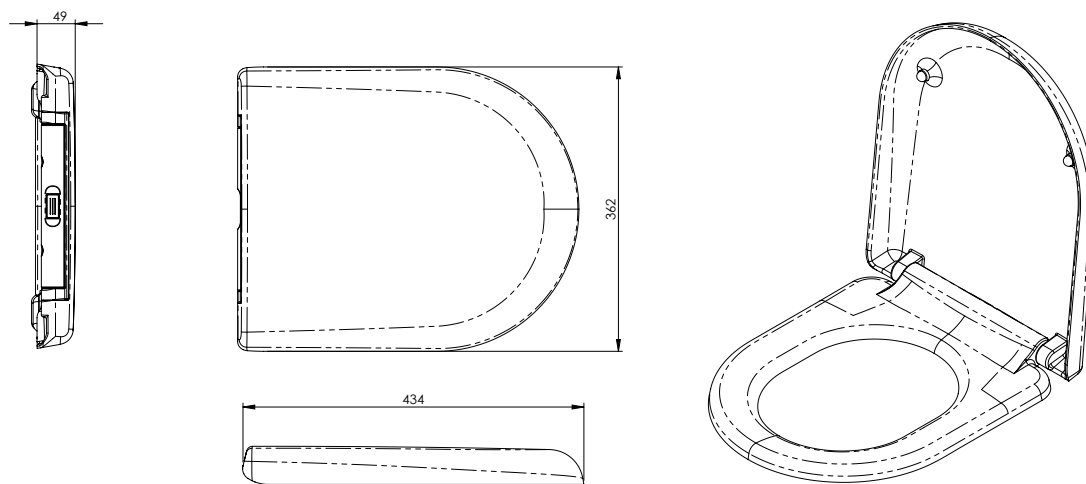


Livenza Plus Close-Coupled WC with Lever Flush & PP Seat

Dimensions



PP Soft-Close Toilet Seat with Lid



Carbamide Soft-Close Toilet Seat with Lid

Warranty & Approvals

- + Lifetime warranty on pan, cistern and seat
- + 10-year warranty on flush fittings
- + Conforms to BS EN 997 and current UK Water Supply (Water Fittings) Regulations
- + WRAS approved cistern fittings
- + AKW are self certifying and supplying approved flush fittings in line with current UK water regulations for compliance purposes



On pan,
cistern & seat



On flush
fittings



On cistern
fittings



Product Codes

Toilet Pan, Cisterns & Seats

Livenza Plus Close-Coupled Toilet Pan (p trap)	23901
Livenza Plus Cistern with Raised Push Button Flush	23902
Livenza Plus Cistern with Lever Flush	23916
PP Soft-Close Toilet Seat with Lid	23589
Carbamide Soft-Close Toilet Seat with Lid	23588
Sensor Flush	28404

Sanitaryware Spares & Fixing Kits

Livenza Plus Dual Flush Valve for Button Flush	23906
Livenza Plus Dual Flush Valve for Lever Flush	23917
Flap Valve Spatula Handle	08-002-054
Livenza Plus Raised Push Button	23891
Livenza Hydroflo Fixed Bottom-Entry 10" Inlet Valve (Standard Type)	23598
AKW Sanitaryware Blanking Plug	23896
AKW Sanitaryware Close-Coupled Pan-to-Cistern Fixing Kit	23892
Livenza Plus Pan-to-Floor Fixing Kit	23893
AKW Sanitaryware Cistern-to-Wall Fixing Kit	23894
Toilet Seat Fixing Kit	20-008-130

Related Products

AKW Bidet Side-Entry Ergonomic Seat & Lid	30502
Livenza Plus 59mm High GRP Toilet Plinth	23924

Water Connections

Flexible Pan Connector	30052
McAlpine Straight Rigid Pan Connector WC CON2	30098
McAlpine 90-Degree Bend Rigid Pan Connector WC CON8	30099
McAlpine Space-Saving Rigid 90-Degree Pan Connector WC CONQ	30100
Flexi Hose 15mm Compression to 1/2" BSP 300mm LG x 2	30048
Flexi Hose with Valve 15mm Compression to 1/2" BSP 300mm LG x 2	30090
1/2" BSP to 15mm Push-Fit Flexi Hose 300mm x 2	30096
15mm Compression Isolating Valves x 5	30053
15mm Compression Full Bore Isolating Valves x 5	30054
15mm Compression Full Bore Isolating Elbow x 5	30089