

## Product Overview

Our Navlin Doc M close-coupled WC benefits from a raised-height, rimless toilet pan available with standard or extended projection which has been designed for use within our Doc M washroom packs.

Complete your WC with a fully compliant, water-saving cistern and a choice of flush and seat options.

AKW Navlin and Navlin Doc M sanitaryware ranges have been designed with compatibility in mind, allowing you to create a contemporary bathroom that expertly caters to a variety of needs.

## Features & Benefits

- + Pan available with 650mm or 750mm projection to aid with side transfer from a wheelchair
- + 480mm raised-height toilet pan (height with seat affixed) complies with Doc M guidelines and makes it easier for less mobile users to lower/rise from the toilet
- + Rimless toilet pan with direct flushing technique offers improved hygiene levels by reducing the build-up of bacteria and making cleaning easier
- + Pan can support up to 60st (400kg) to cater to a wide variety of users
- + Wide pan footprint for increased stability when side transfers to/from a wheelchair
- + BS EN 997 approved toilet pan for guaranteed flush performance
- + Rounded edges and corners reduce the risk of injury in the event of a trip or fall
- + Ergonomic toilet seats (available with or without lid) are shaped for comfort and easy cleaning, come with seat lugs for stability when side transferring, soft-close hinges for safety, can support up to 47st (300kg), and comes in a choice of colours to benefit the visually impaired or those with dementia
- + Available with a raised push button or spatula lever flush, both of which can be easily operated by hand, closed fist or elbow
- + Full (6 litre) and reduced flush options increase performance and water efficiency
- + Bottom inlet water connection simplifies pipework
- + Overflow pipe is 300mm above pan rim, fully complying with current UK Water Regulations
- + Cistern is fitted with a top-fill inlet valve that has an all-round air gap which is fully compliant with current UK Water Regulations
- + Horizontal outlet waste connection for easy installation and maintenance
- + Includes easy-to-secure, four-point, side-entry floor fixings which reduce the build-up of dust and bacteria and are easier to clean, as well as white cosmetic caps to prevent rusting
- + Toilet pan, cistern (inc. flush mechanism) and seat supplied separately for additional flexibility when specifying
- + Supplied with fixing kit as standard
- + Components individually packaged in recyclable materials to prevent damage during transit

navlin **Doc M**



## Guarantee & Approvals

- + Lifetime warranty on pan, cistern and seat
- + 10-year warranty on flush fittings
- + Conforms to BS EN 997 and current UK Water Supply (Water Fittings) Regulations
- + WRAS approved cistern fittings
- + AKW are self-certifying and supplying approved flush fittings in line with current UK Water Regulations for compliance purposes



On pan,  
cistern & seat



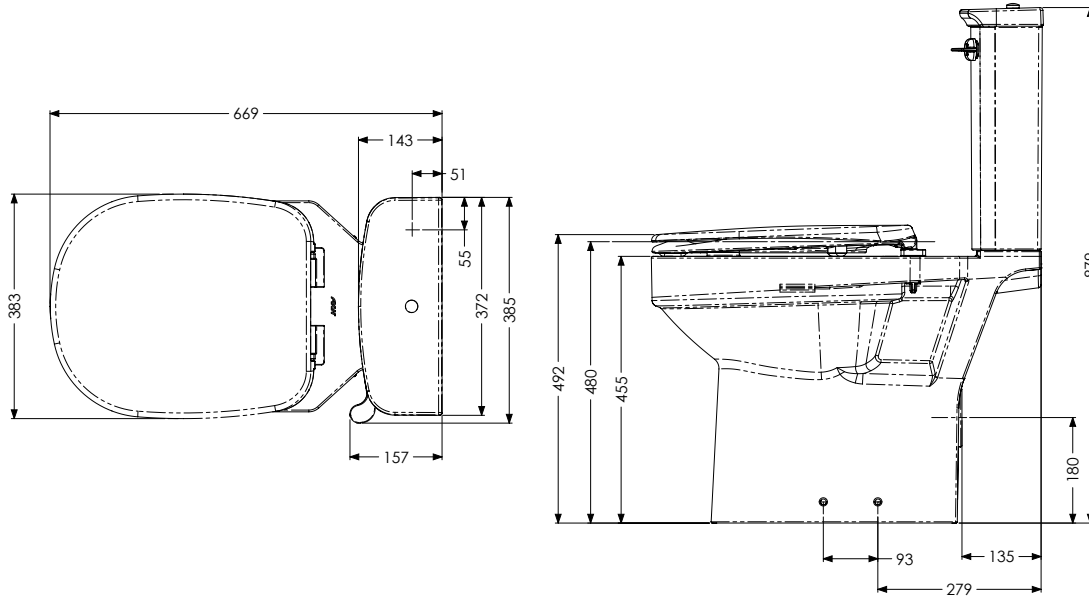
On flush  
fittings



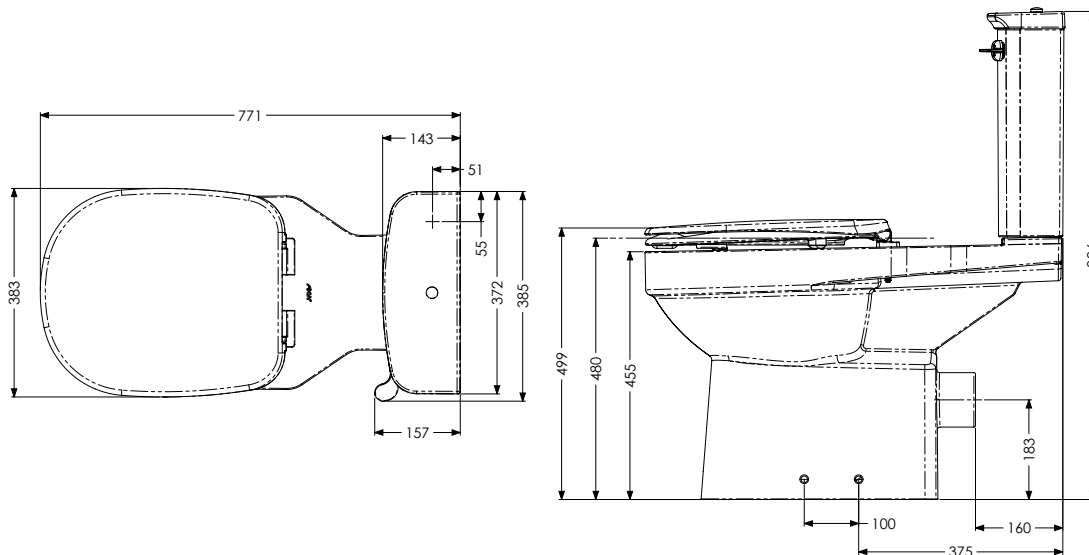
On cistern  
fittings



**Dimensions**



Navlin Doc M Raised-Height Close-Coupled Toilet Pan (650mm), Cistern with Lever Flush and Ergonomic Seat & Lid



Navlin Doc M Raised-Height Close-Coupled Toilet Pan (750mm), Cistern with Lever Flush and Ergonomic Seat & Lid

## Product Codes

### Toilet Pans & Cisterns

Navlin Doc M Raised-Height Close-Coupled Toilet Pan (650mm)	23591
Navlin Doc M Raised-Height Close-Coupled Toilet Pan (750mm)	23590
Navlin Doc M Cistern with Lever Flush & Screw-Down Lid	23594
Navlin Cistern with Raised Push Button Flush	23574

### Ergonomic Toilet Seats

Ergonomic Toilet Seat with Lid – Blue	23124
Ergonomic Toilet Seat without Lid – Blue	23125
Ergonomic Toilet Seat with Lid – White	23122
Ergonomic Toilet Seat without Lid – White	23123
Ergonomic Toilet Seat with Lid – Dark Blue	23124DB
Ergonomic Toilet Seat without Lid – Dark Blue	23125DB
Ergonomic Toilet Seat with Lid – Mid-Grey	23124MG
Ergonomic Toilet Seat without Lid – Mid-Grey	23125MG

### Sanitaryware Spares & Fixing Kits

Navlin Doc M Lever Flush Cistern Lid	20-008-035
Navlin Raised Push Button Flush Cistern Lid	20-008-034
AKW Sanitaryware 12½" Cistern Fill Valve	23899
Flush Valve & Spatula Flush Handle (no fill valve)	23599
AKW Sanitaryware Blanking Plug	23896
Spare Ergonomic Toilet Seat Lug	06-021-033
Navlin Doc M Pan Fixing Kit	20-008-066
AKW Sanitaryware Close-Coupled Pan-to-Cistern Fixing Kit	23892
Navlin Doc M Cistern Lid Securing Kit (for Screw-Down Lid)	20-008-084

---

**Related Products**

AKW Bidet Side-Entry Consilio Seat & Lid	30501
--	-------

---

**Water Connections**

Flexible Pan Connector	30052
------------------------	-------

---

McAlpine Straight Rigid Pan Connector WC CON2	30098
---	-------

---

McAlpine 90-Degree Bend Rigid Pan Connector WC CON8	30099
---	-------

---

McAlpine Space-Saving Rigid 90-Degree Pan Connector WC CONQ	30100
---	-------

---

Flexi Hose 15mm Compression to 1/2" BSP 300mm LG x 2	30048
--	-------

---

Flexi Hose with Valve 15mm Compression to 1/2" BSP 300mm LG x 2	30090
---	-------

---

1/2" BSP to 15mm Push-Fit Flexi Hose 300mm x 2	30096
--	-------

---

15mm Compression Isolating Valves x 5	30053
---------------------------------------	-------

---

15mm Compression Full Bore Isolating Valves x 5	30054
---	-------

---

15mm Compression Full Bore Isolating Elbow x 5	30089
--	-------

---