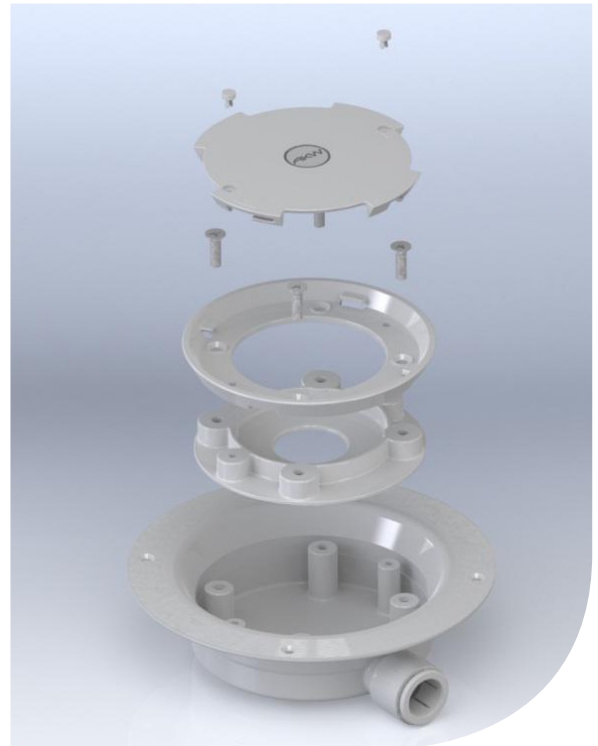


Product Overview: The SilentFlow+[®] waste pumped wastes is a completely new design which is 'Silent' in operation to reduce the noise associated with shower pumps and wastes

- Benefits:**
- Provides a silent pumped waste solution for customers
 - Bayonet or screw waste top for easy cleaning
 - Low maintenance and reliable operation
 - Compatible with all AKW shower waste pumps

- Features:**
- Integrated 22mm JG fitting giving good flow capacity
 - Quiet performance at all flow rates
 - Internal design optimised to balance flow and reduce gulping effect
 - Flow guides encourage linear flow
 - Bayonet cover fits existing TF75
 - Can be specified with any Tuff Form former with vinyl floor covering

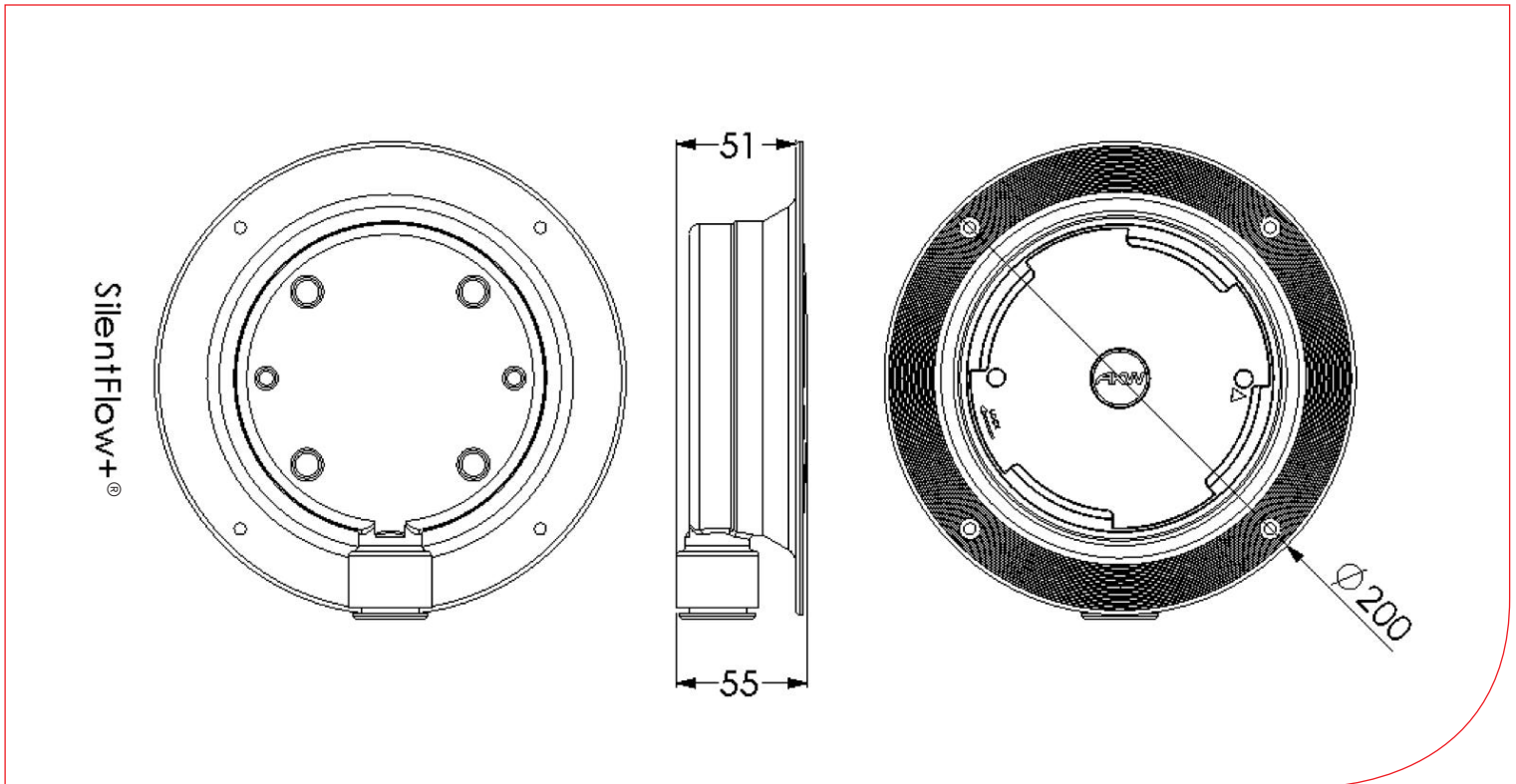
Guarantee & Approvals:



Product Specification:

- Noise level testing shows the Silent Flow+[®] is comparable with the nearest competitors 'quiet' pumped waste at 11lpm and outperforms above 11lpm
- The new waste can be connected to all pumps in the current range and has an integrated 22mm John Guest fitting, connection to a 15mm pipe is via a JG adaptor
- Made from ABS plastic
- Patented design GB 2373515

Dimensions:



Product Compatibility:

- DigiPump 4
- DigiPump M11
- DigiPump M17
- DigiPump

Product Code:

Codes	Description	Trade B
25414	AKW Silentflow+ [®] PGTF 22mm	£98.00