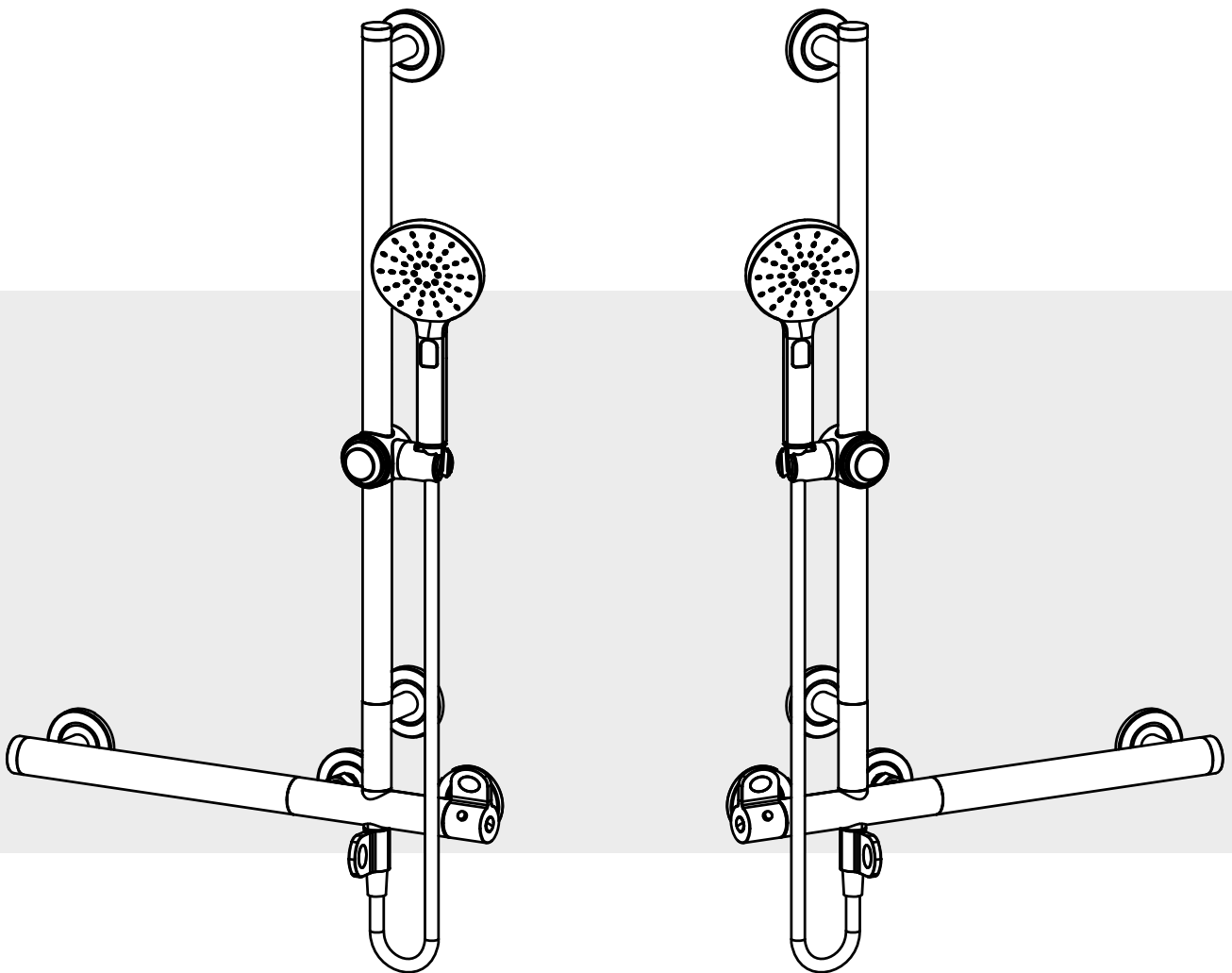


# Onyx Combo Shower Mixer

## INSTALLATION AND USER MANUAL



# Essential Installer Information

Installation must be carried out in accordance with these instructions, and must be conducted by qualified and competent installer. The shower mixer positioning must comply with the latest Building Regulations in accordance with BS6700 and must be installed in compliance with the latest Water Regulations.

## Water Pressure

This mixer is suitable for low and high pressure systems. You may need to fit the optional flow limiter to meet local requirements. This mixer should not be used with pressures exceeding 5 Bar. Min Pressure 0.2bar. Hot and cold water supply pressures should be balanced, isolating and non-return valves should be fitted. Where the supplies are unbalanced, i.e. hot water from cylinder tank / cold from the mains, approved check valves must be fitted in the supply pipes. If the mains pressure is over 5bar, then a pressure reducing valve should be fitted. If you are unsure, please obtain the advice of a professional plumber before attempting any work.

## Before you start

Please remove all protective covering and examine carefully. Check that all items are present before discarding of any packaging. Please notify your supplier immediately of any damage or faults. The manufacturer cannot be held responsible for any installation costs that may arise from damaged or faulty products being installed and not in accordance with these instructions.

## Safety

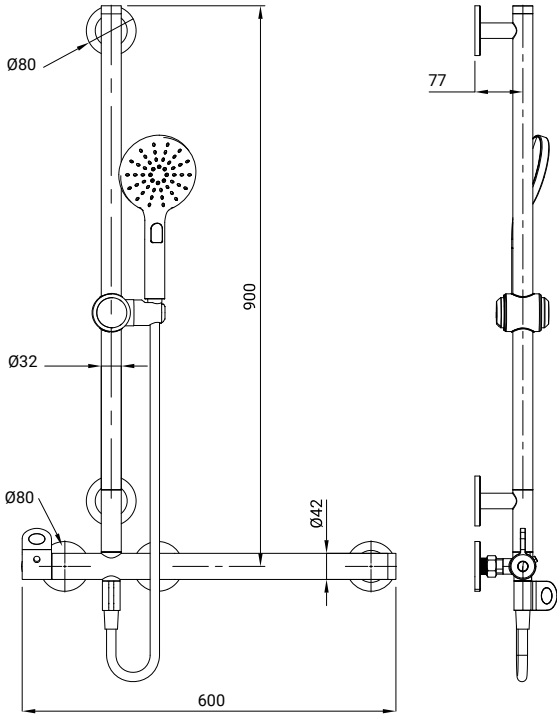
- 150kg load rating limit.
- Have the correct tools available.
- When drilling into walls, check first for hidden pipes and cables.
- Use safety eye wear when drilling.
- Do not use fixings with countersunk heads.
- Make sure that all fixing holes are used.
- ACS approved
- WRAS approved
- Keep children away from the installation, and away from small parts and packaging.

This shower mixer and grab rail must be attached to a finished vertical surface, capable of supporting the specified weight limit using suitable fixings appropriate to the type of surface and loading conditions that will be applied.

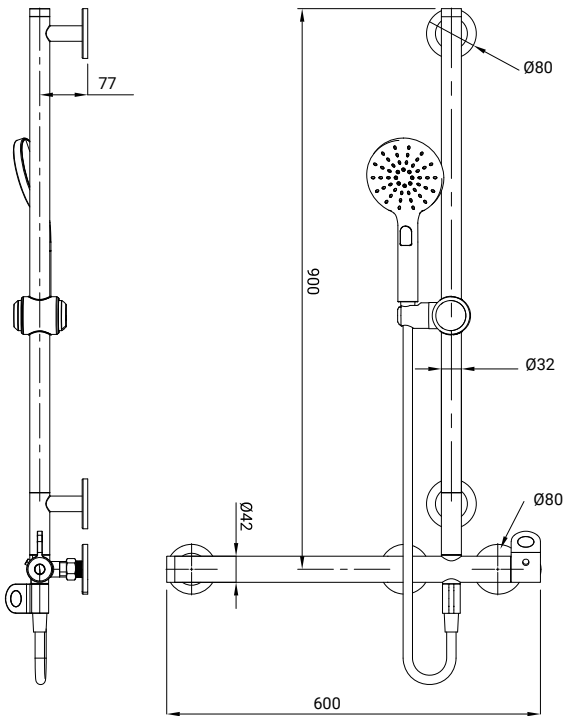
## Supply pipe work

Complete the pipework to the shower area prior to this installation, having decided on the position of the shower and direction of pipe protruding from the wall into the showering area. The centres should be 150mm. Match the correct water supply pipes to the shower mixer valve before installation. Hot must be on the left and the cold on the right when viewed from the front. Access must be made available to the water supplies and isolation valves for future maintenance and servicing. If it is intended to operate the shower in areas of hard water (above 200-ppm temporary hardness), a scale inhibitor may have to be fitted.

## Left Handed Mixer Body - Stock Code 25436L-LS



## Right Handed Mixer Body - Stock Code 25436R-LS

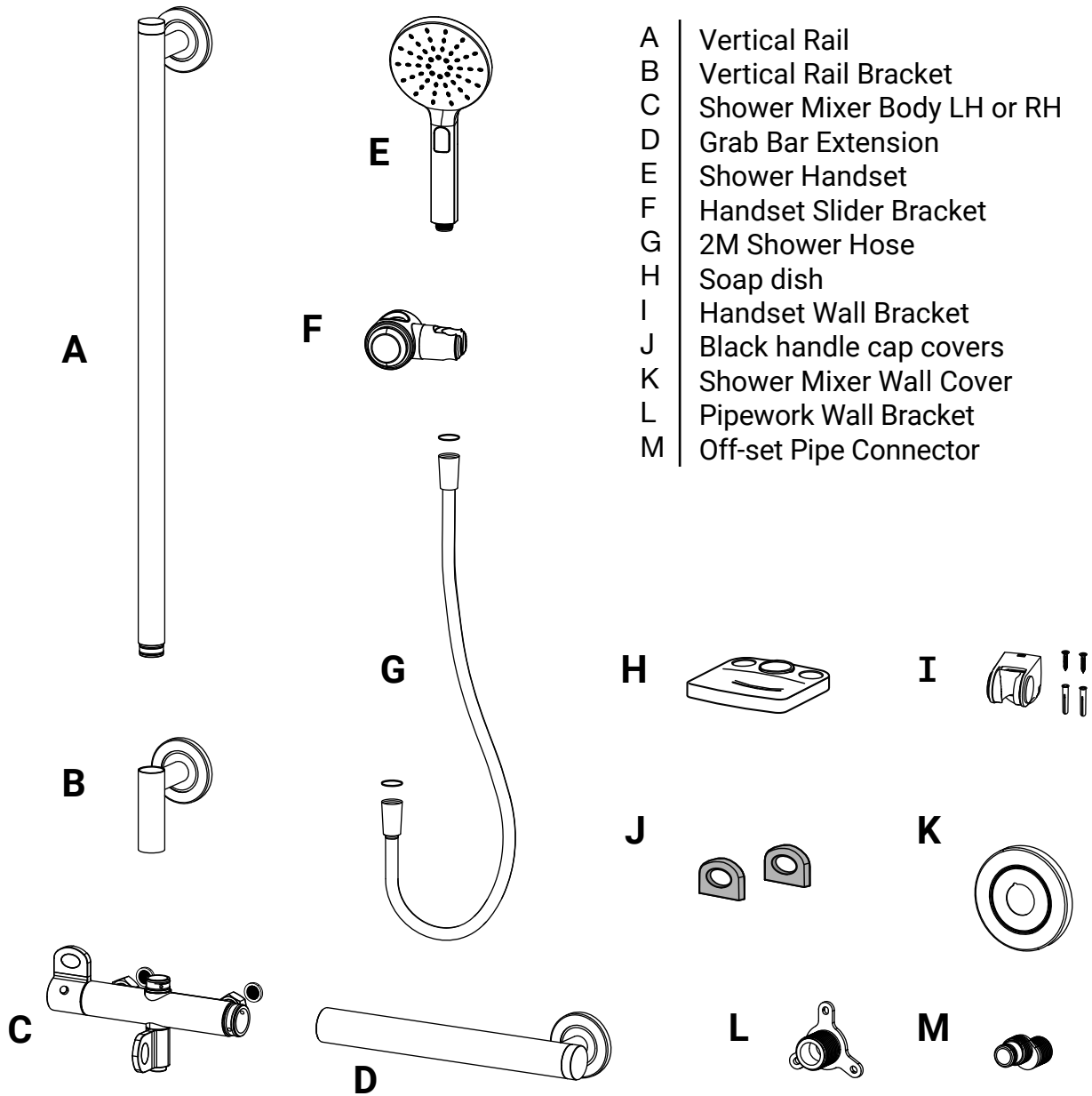


\* Dimensions in mm

# Parts List

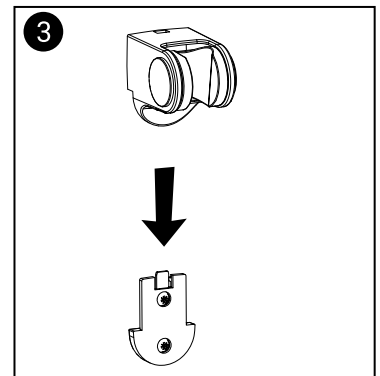
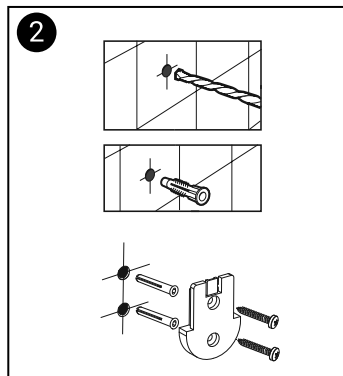
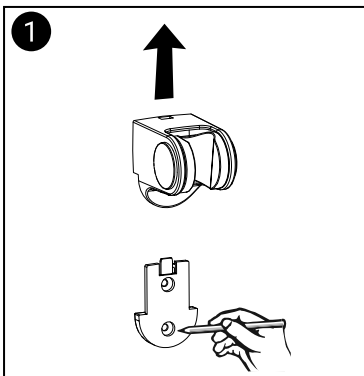
PARTS LIST

\* Right handed product illustrated

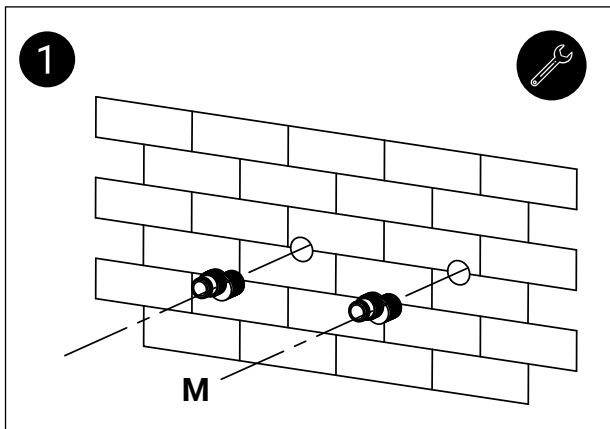


Parts	QTY
A	1
B	1
C	1
D	1
E	1
F	1
G	1
H	1
I	1
J	2
K	2
L	2
M	2

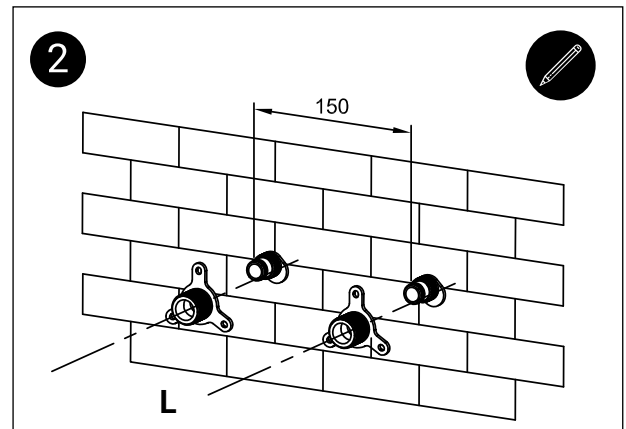
## Installing the shower handset wall bracket (I)



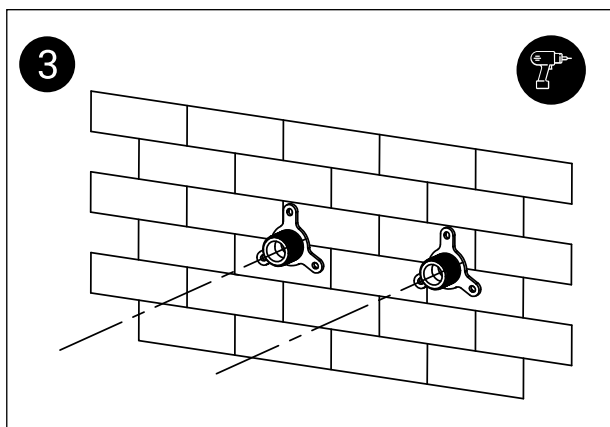
**Important :** Match the correct water supply pipes to the shower mixer valve before installation. Hot must be on the left and the cold on the right when viewed from the front.



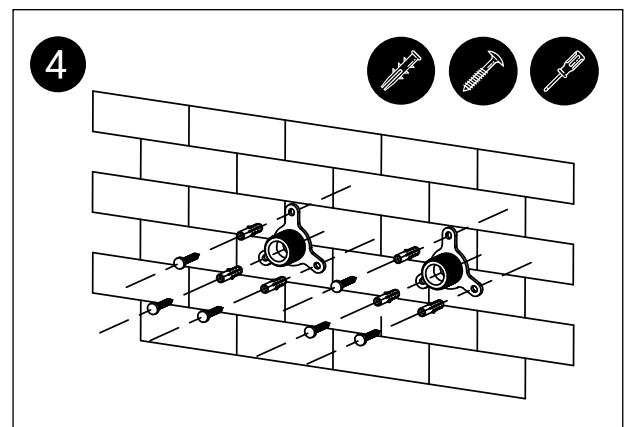
Ensure the pipe centres are 150mm apart. If required attach the off-set pipe connectors (**M**) to existing pipework to align with the mixer.



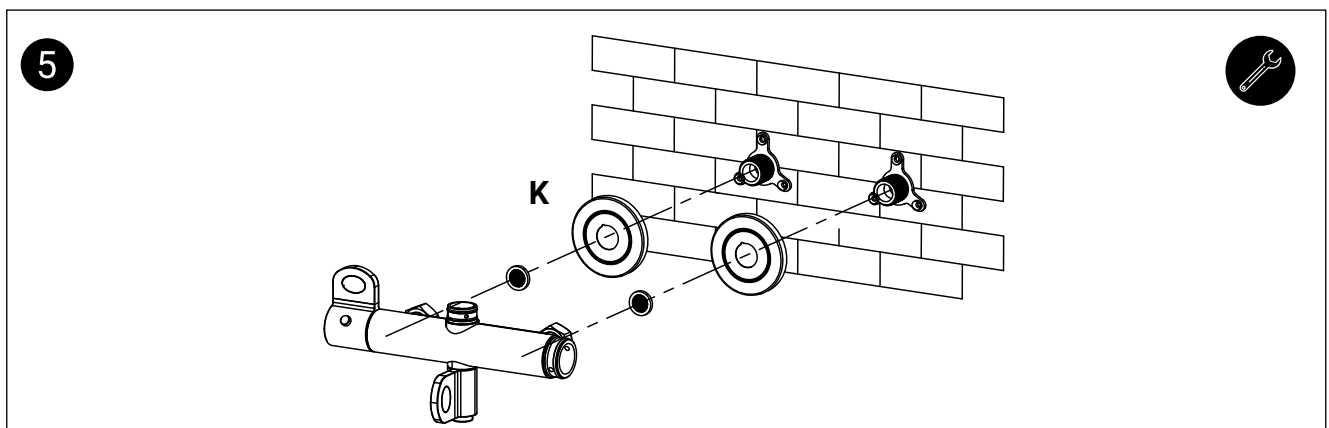
Connect the wall brackets (**L**) onto the off-set connectors or existing pipework. Mark the fixing points positions for installation.



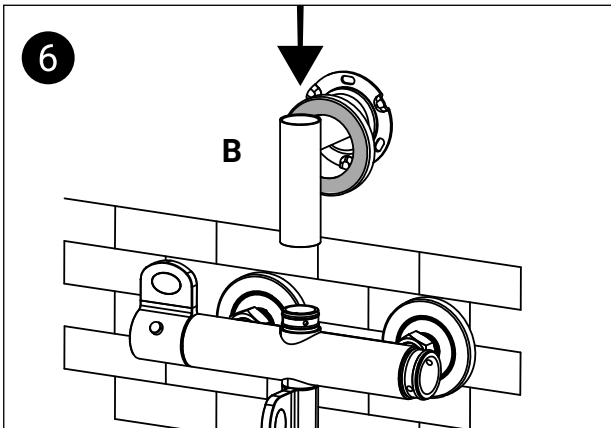
Drill holes with a suitable drill bit and insert the wall plugs. Re-tighten the wall bracket and ensure the fittings are watertight.



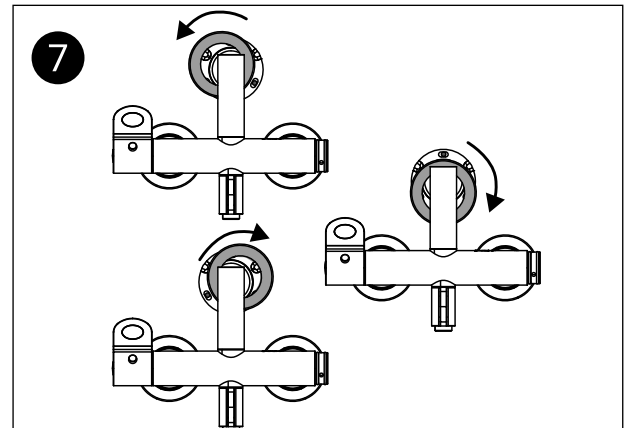
Use suitable wall fixings to secure the mounting brackets to the wall and ensure the wall fixings are secure.



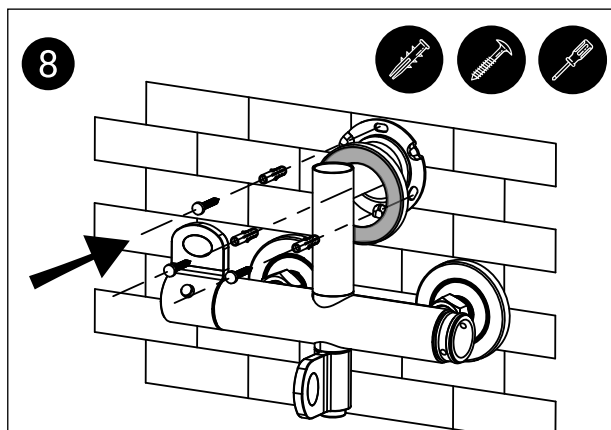
Use the wall cover plates (**K**) to cover the plumbing connections and screw fixings. Ensure the inlet filters are in position before connecting the shower mixer to the wall brackets.



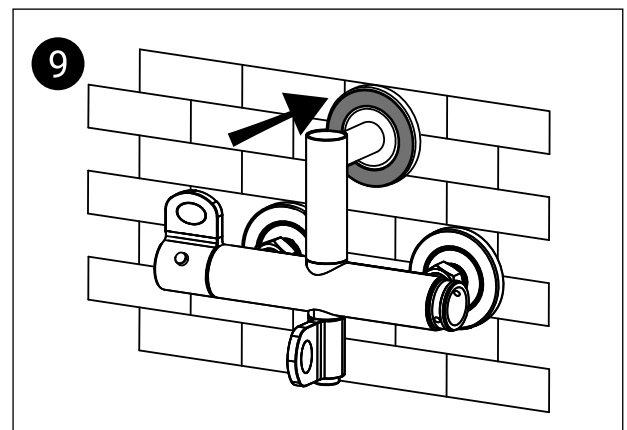
Loosen the bracket cover and attach the vertical rail bracket (**B**) onto the shower mixer.



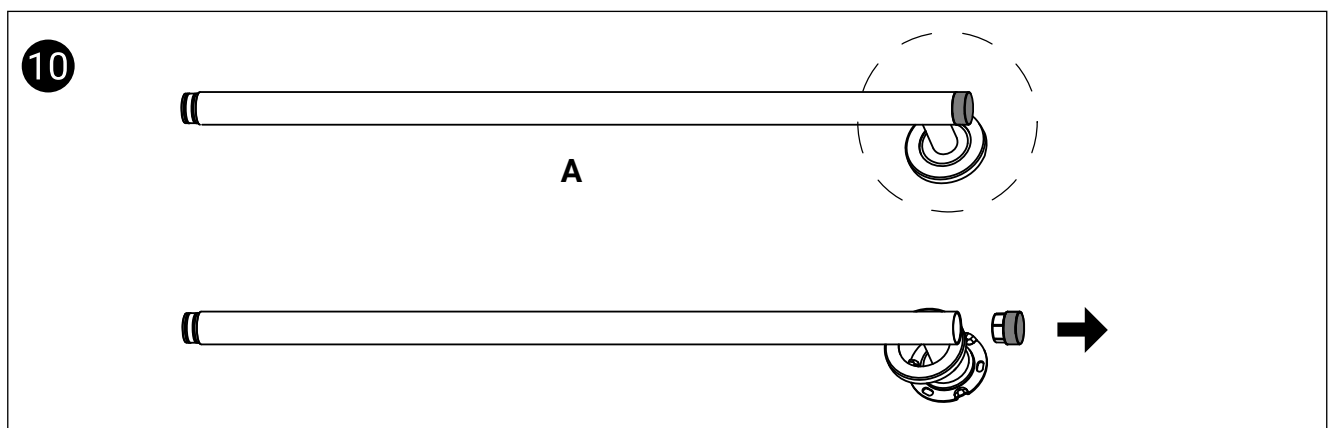
Mark the bracket mounting holes by rotating the bracket cover. Remove the bracket to drill holes and insert the wall plugs.



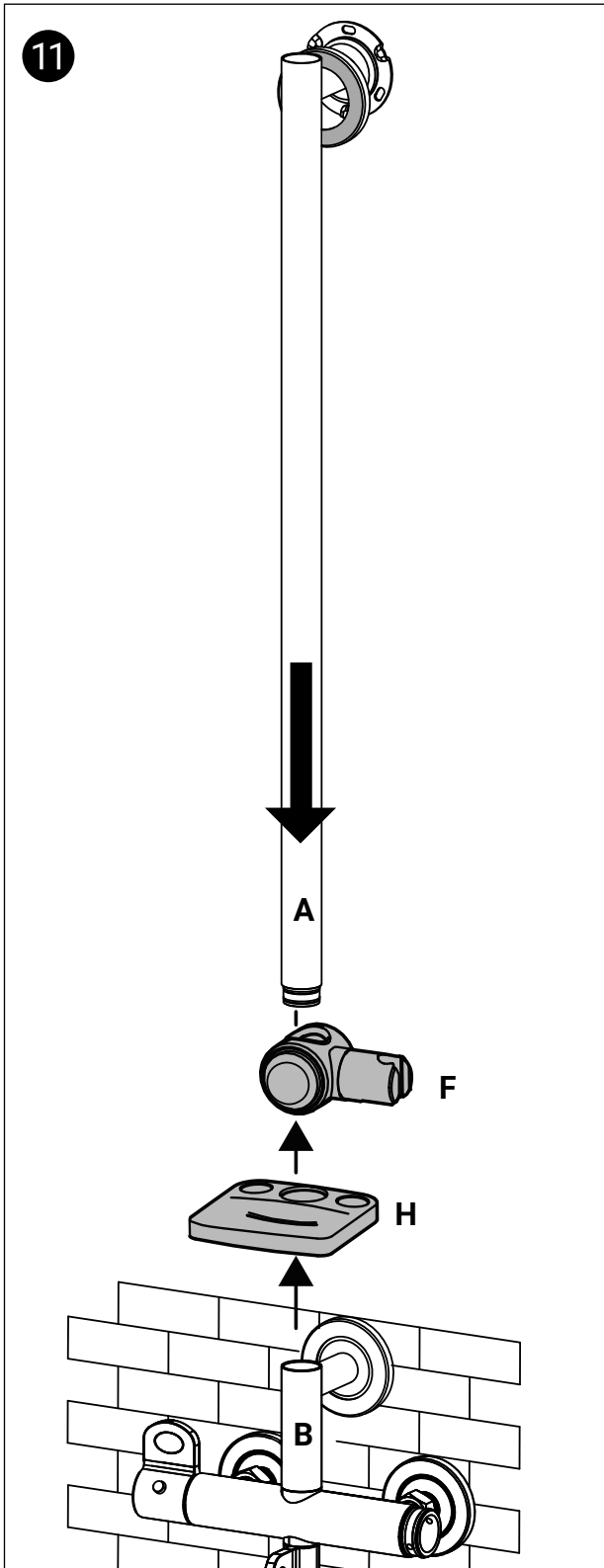
Use suitable wall fixings to secure the mounting bracket to the wall.



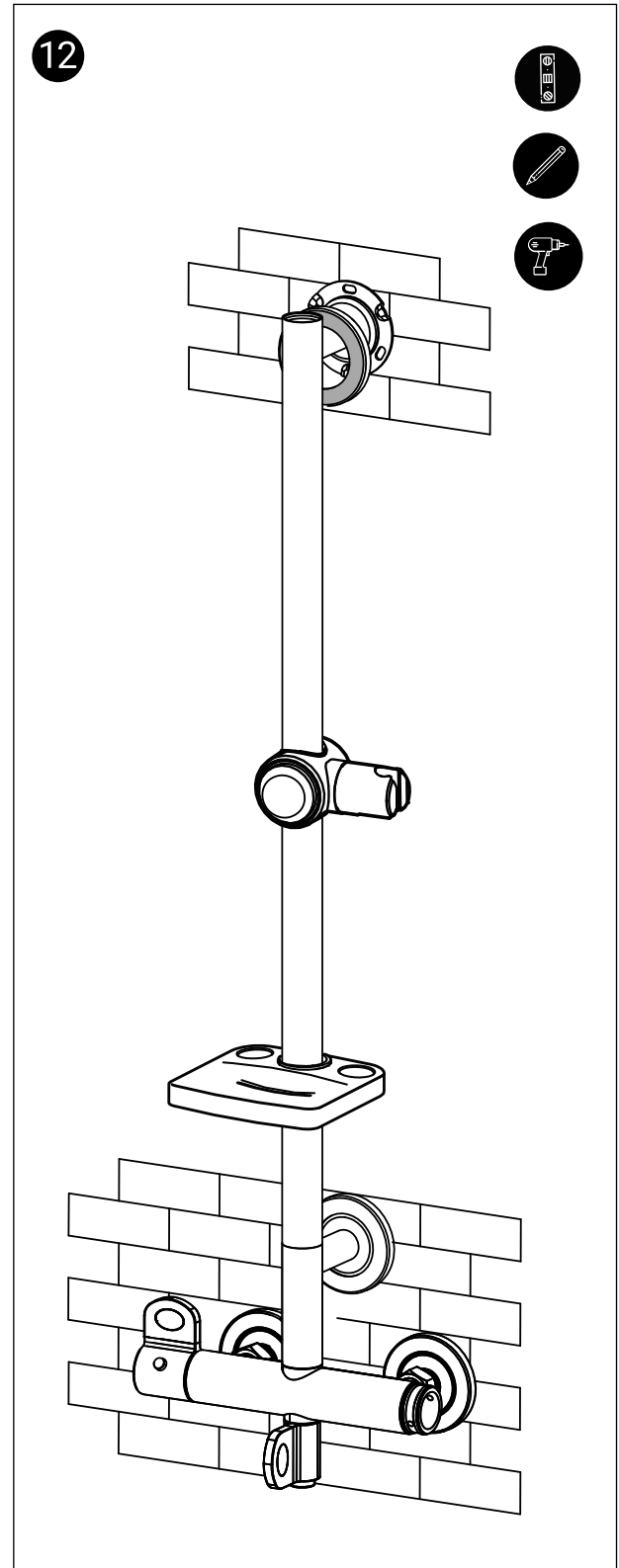
Re-attach the bracket cover, push fit only.



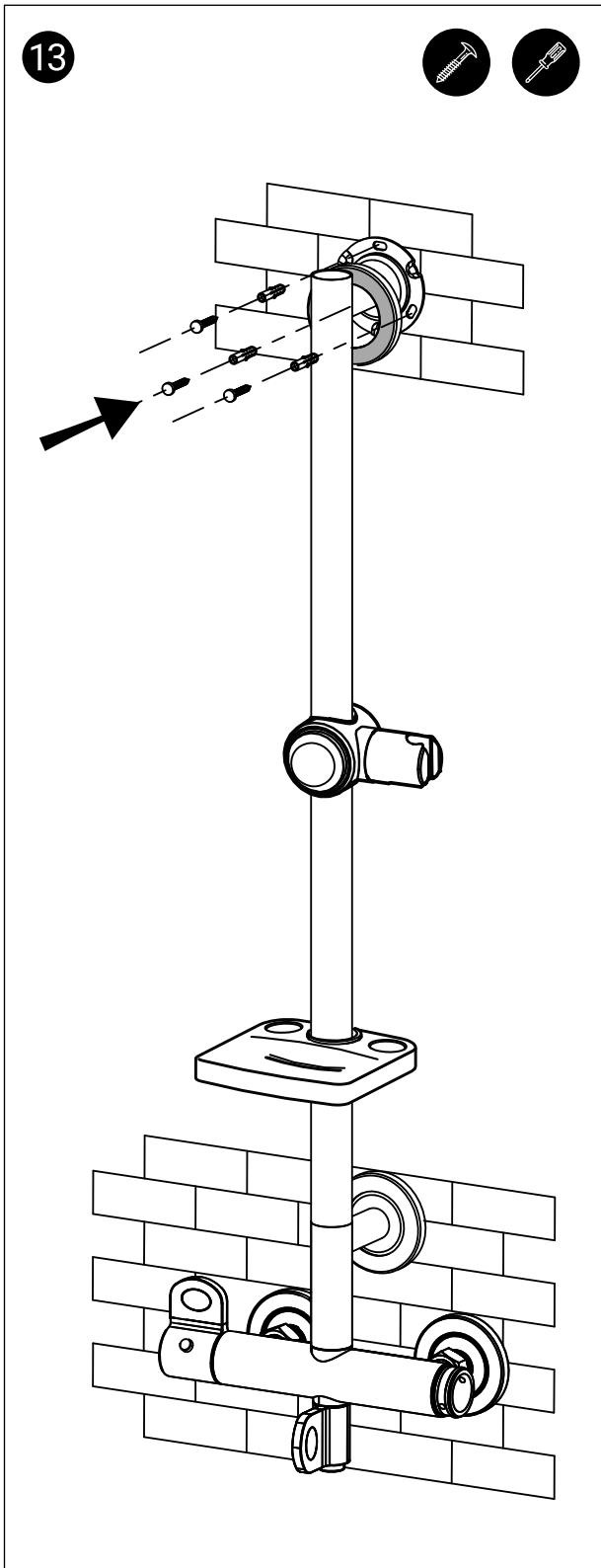
Loosen the mounting bracket cover and remove the end cover cap from the vertical rail (**A**).



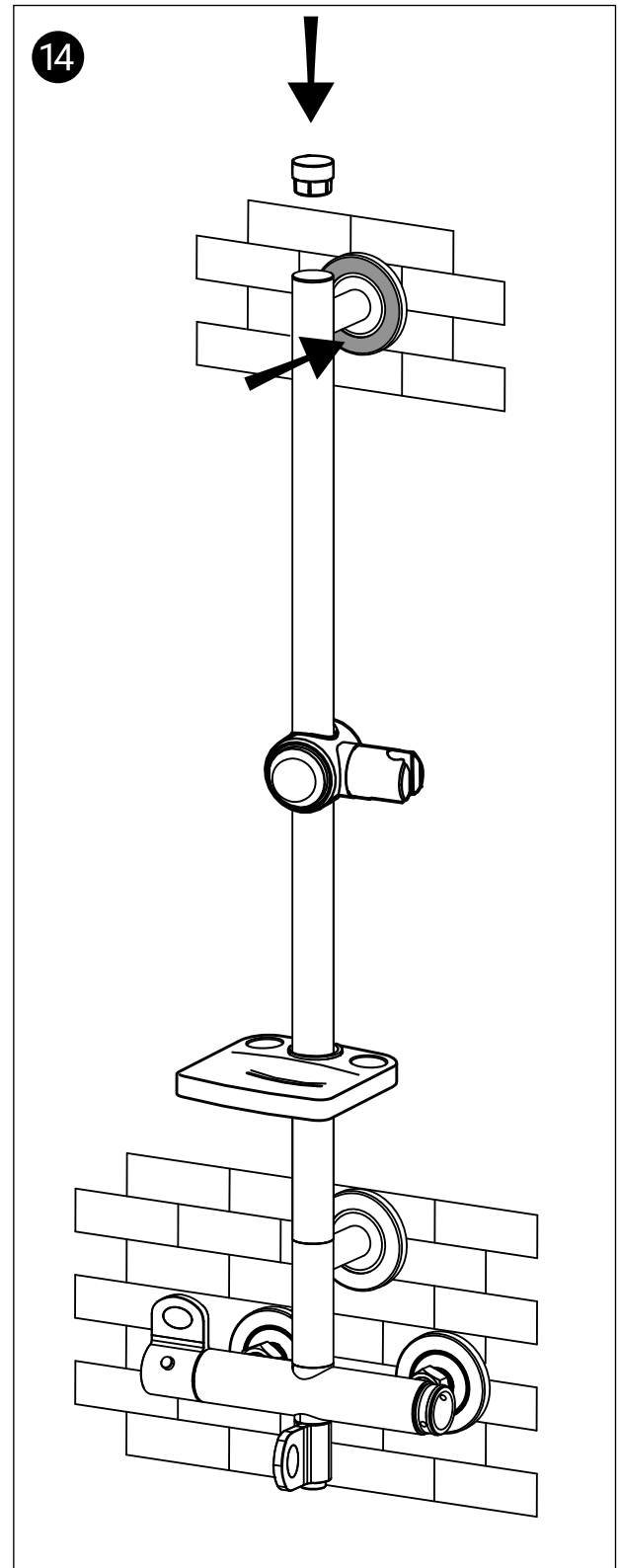
Install the soap dish (H) and slider (F) onto the vertical rail (A) and push fit onto the shower mixer vertical bracket (B).



Using a level to ensure the rail is vertical, mark the top bracket mounting holes positions. Remove the rail and drill the mounting holes.

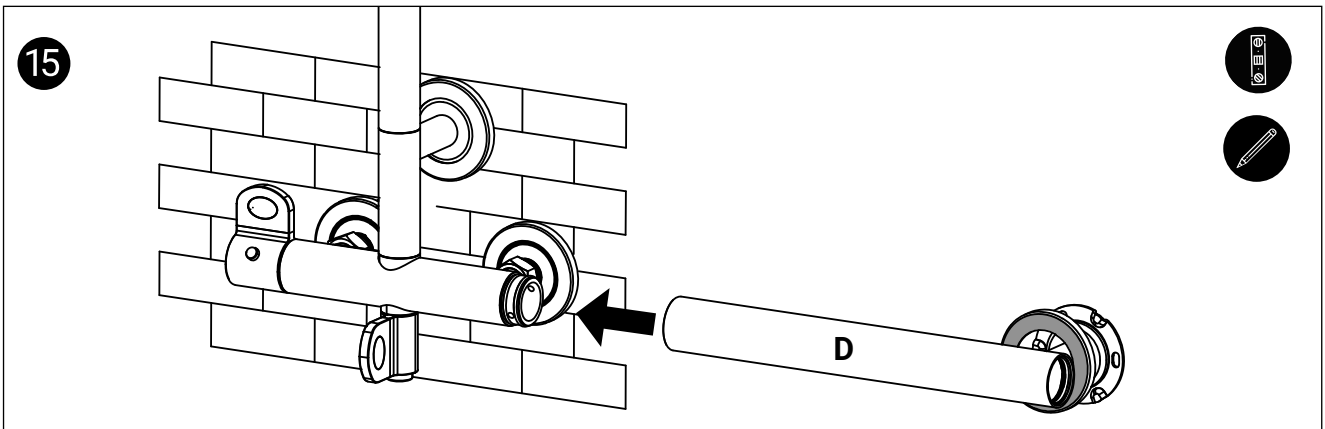


Use suitable wall fixings to secure the mounting bracket to the wall.

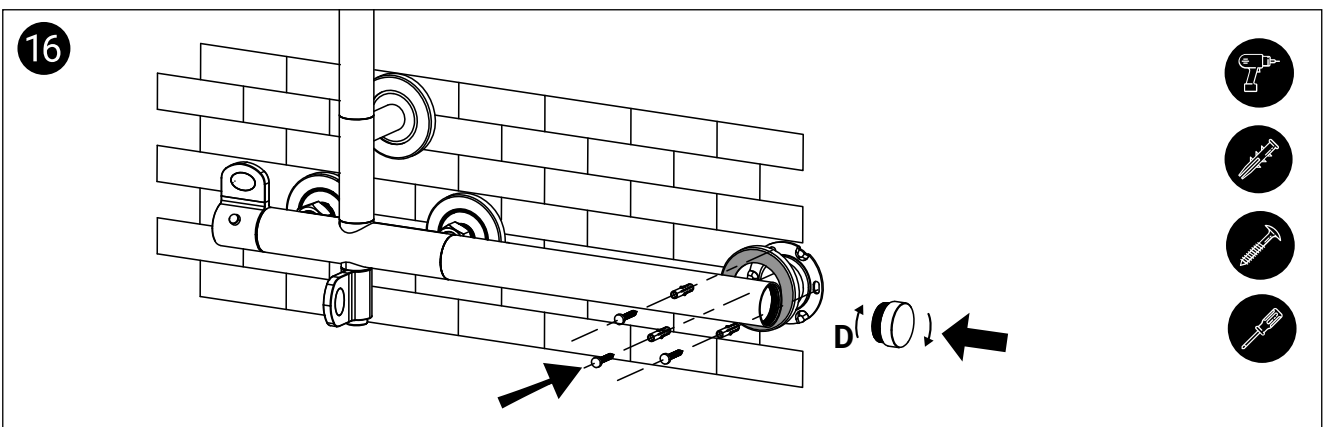


Re-attach the bracket cover, push fit only, and replace the end cover cap.

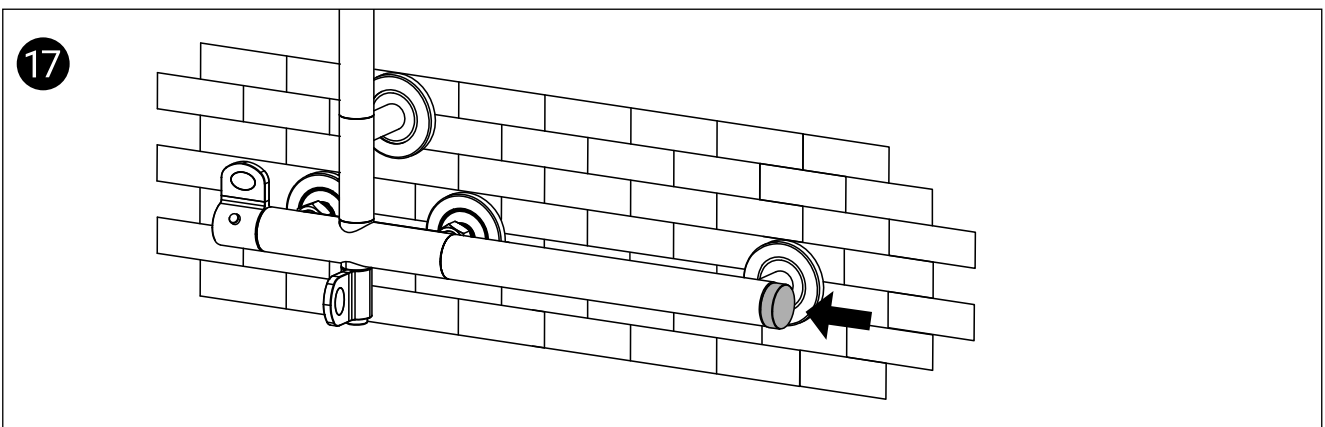




Loosen the mounting bracket cover and remove the end cover cap from the horizontal rail **(D)**. Attach the grab bar extension **(D)** onto the mixer body by sliding onto the O-ring connector ensuring the connection is tight. Mark the mounting hole positions on the wall when level.

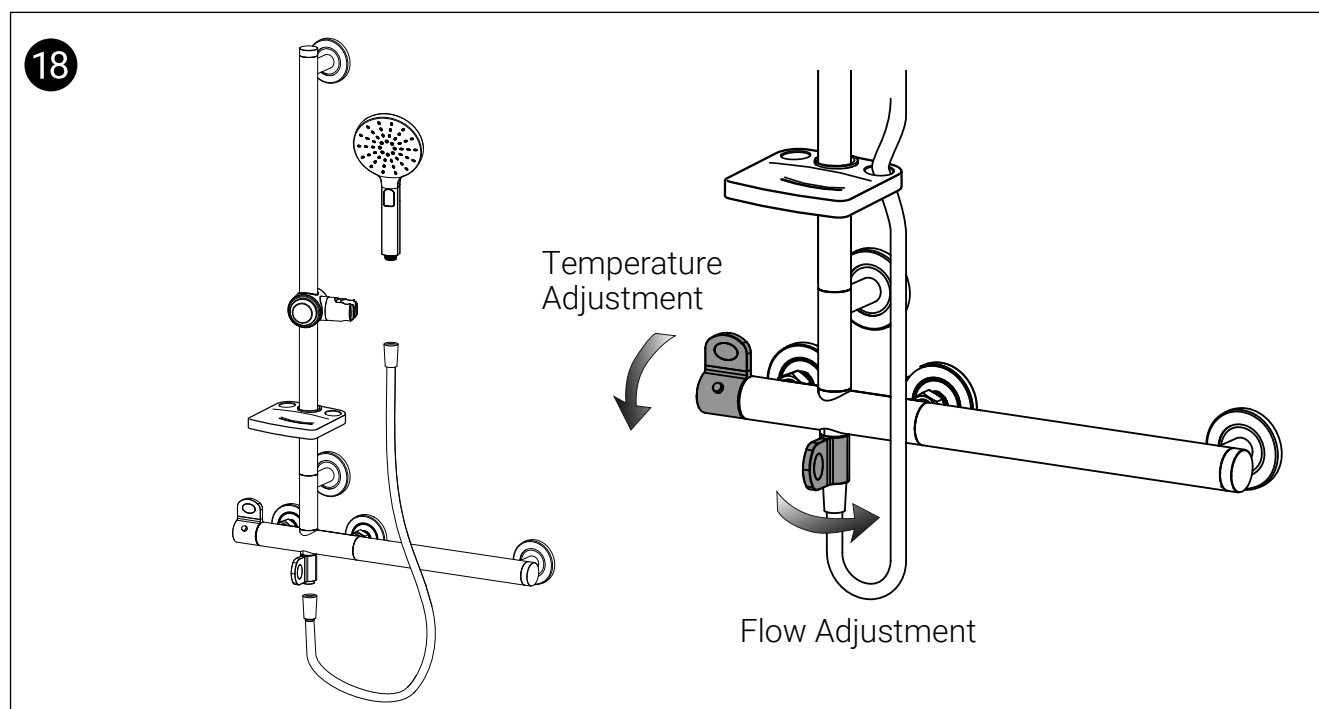


Remove the bar to drill the mounting holes and insert the wall plugs. Reconnect the bar and use the wall fixings to secure the mounting bracket to the wall. Replace the end cover cap.



# Final assembly and checks

Connect the shower hose onto the shower mixer and onto shower handset through the soap dish.



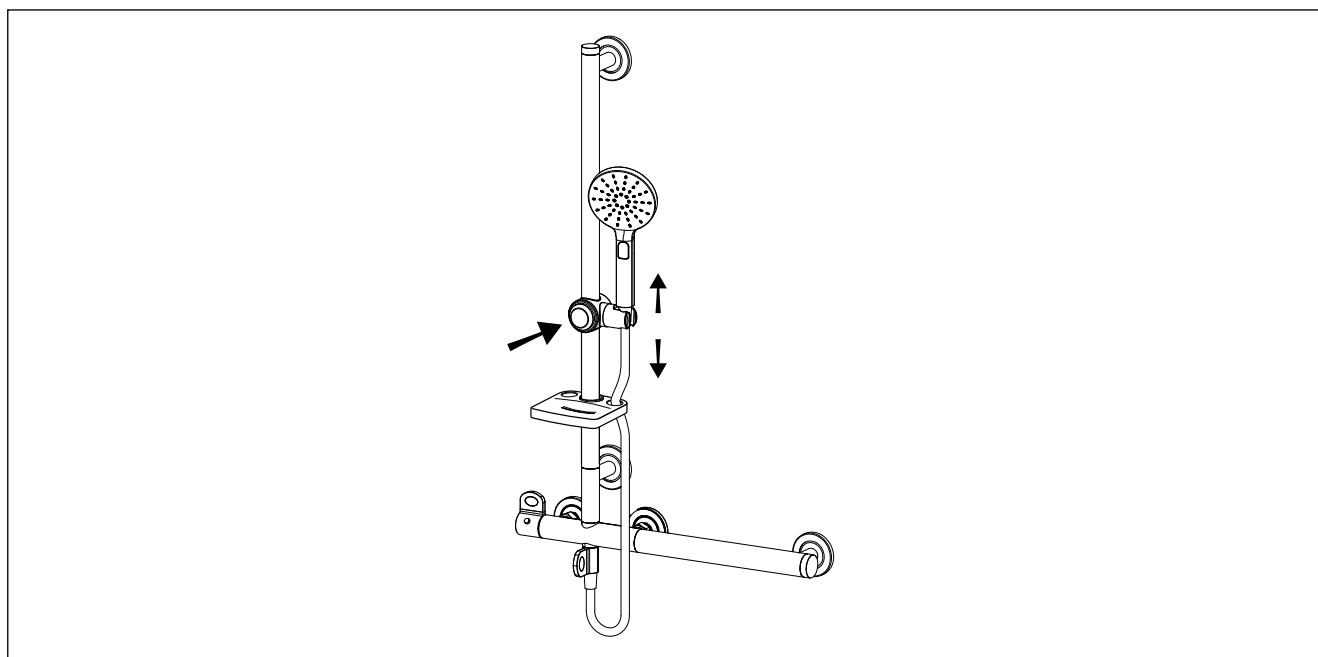
## Adjusting the Flow

The flow is controlled by rotating the flow lever on the bottom of the mixer.

## Adjusting the Temperature

The temperature is controlled by rotating the temperature lever on the side of the mixer. The temperature is limited to a comfortable showering level of 38°C. To obtain a higher temperature, press the override button on the temperature lever and continue to rotate the lever.

## Final Assembly



## Shower Mixer Use

The shower rail mixer must be used only for the task it is intended to perform.

It is advised that this product should be checked as part of a planned maintenance programme.

Children and other users may require supervision when using this product. If any maintenance is required, it must be carried out by a competent installer.

## Keeping your AKW Shower Mixer Clean

This product should be cleaned periodically to remove any accumulation of hair, soap or other waste material, using normal domestic bathroom cleaning materials. It is important to keep areas such as seals and moving parts clear from build up of grime and water deposits to maintain good working order. Always rinse the shower area with warm water and then wipe thoroughly with a damp cloth to remove any cleaning material residues before drying off.

## Disinfecting

Where disinfecting is necessary, standard established procedures for disinfecting equipment should be used with due care and attention taken of the warnings concerning possible effects of aggressive chemicals on plastics and metals. Do not use strong or concentrated acidic, alkaline, or other cleaning materials on an abrasive pad as these may discolour or damage the product. If more thorough cleaning is needed using domestic cleaning products always test on a small area first and read the label warning first.

## Packaging

Packaging should be disposed of in accordance with local recycling regulations.

## Further information

These instructions are provided to advise the minimum standards of installation and recommend what the best practice for the installation is. Due to the very wide variability of possible installation conditions, AKW cannot provide all circumstances for the installation. AKW cannot accept any liability in connection with this information or its use. This information is provided on the condition that the person receiving it shall make his/her own tests to determine the suitability for his/her particular purpose. Failure to install this AKW product in accordance with supplied instructions or the making of unauthorised modifications will invalidate any warranty and may affect product safety. None of the foregoing affects your statutory rights.

# Contact Us

**AKW**<sup>®</sup>  
Life Made Better

## Orders & Quotes

01905 823 299  
orders@akw-ltd.co.uk

## General Enquiries

01905 823 298  
sales@akw-ltd.co.uk

## Technical Enquiries

01905 560 219  
tech@akw-ltd.co.uk

## Kitchen Enquiries

01905 823 262  
kitchens@akw-ltd.co.uk

## Fax

01905 823 297

## AKW

Pointon Way, Hampton Lovett  
Droitwich Spa, WR9 0LR

[www.akw-ltd.co.uk](http://www.akw-ltd.co.uk)  
[orders.akw-ltd.co.uk](mailto:orders.akw-ltd.co.uk)

## Follow us on Social:



## Guarantee

The life time guarantee applies only to manufacturing or material defects, conditional on the one-time correct installation of the product.

Does not apply to:

- Inappropriate use or accidental damage.
- Damage or defects that result from incorrect installation.
- Lack of maintenance including the build up of grime or damage resulting from inappropriate cleaning.
- Damage or defects that result from repairs or modifications undertaken by unauthorised persons.
- This guarantee excludes general wear and tear through usage and does not apply to surface finishes.

## What to do if something goes wrong?

In the event that you should encounter a problem with this product, please contact your local installer and if this does not resolve the issue, then contact AKW technical team who will provide further advice and, if necessary, arrange for a maintenance engineer to visit and report any issues. See the T&Cs on our website or our catalogue for further information. None of the foregoing affects your statutory rights.