

Shower Riser Rail Kit

Installation & User Care Instructions



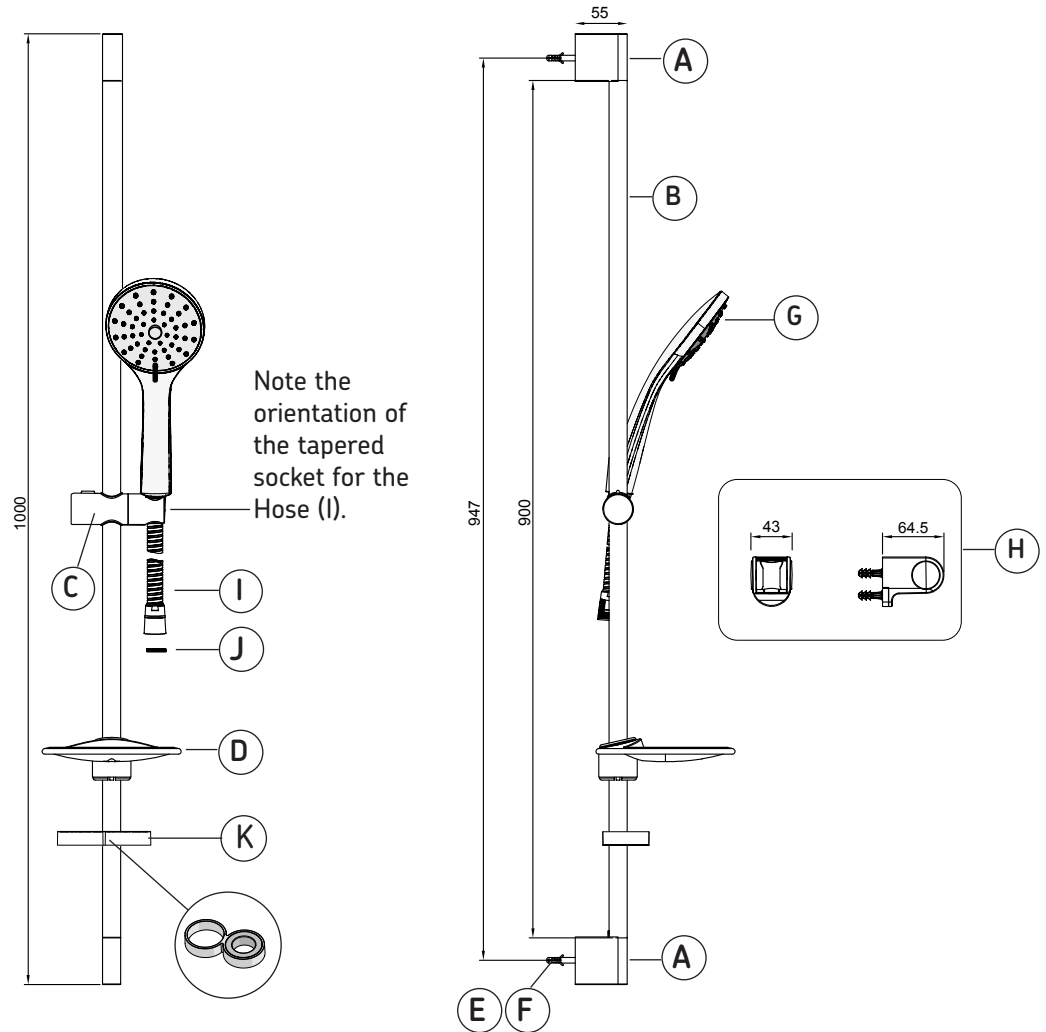
READ ALL INSTRUCTIONS CAREFULLY BEFORE INSTALLATION AND LEAVE WITH THE END USER FOR FUTURE REFERENCE

Important notes



Positioning- Must comply with water regulations, building regulations, and should be in accordance with BS6700.

- (A) x2 Mounting Brackets
- (B) x1 Rail
- (C) x1 Slider
- (D) x1 Soap Dish
- (E) x2 Wall plug
- (F) x2 Screw
- (G) x1 Shower Handset
- (H) x1 Wall Bracket
- (I) x1 Hose
- (J) x2 Washer
- (K) x1 Hose Retainer



Step 1

Ensure that the Mounting Brackets (A) are attached to the Rail (B). Note that only one bracket has a key which locks into the slot in the Rail (B) to stop the rail turning (see Step 2).

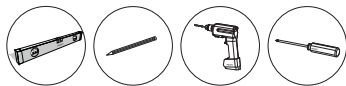
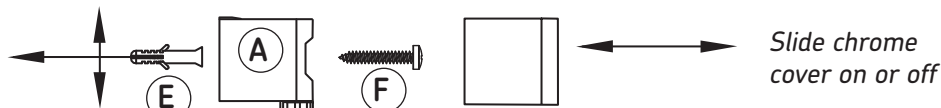
Remove the chrome covers from both of the Mounting Brackets (A) by sliding them off horizontally.

Attach the Slider (C) and the Soap Dish (D) to the Rail (B) by removing one of the Mounting Brackets (A) and sliding them on to the Rail (B). Ensure that the tapered socket on the Slider (C) for the Hose (I) is orientated correctly.

Re-attach the Mounting Brackets (A) and then, holding the assembly against the wall, establish the position for the riser rail, making allowance for the heights of all persons likely to use the shower regularly.

Mark the position of the Mounting Brackets (A).

Step 2



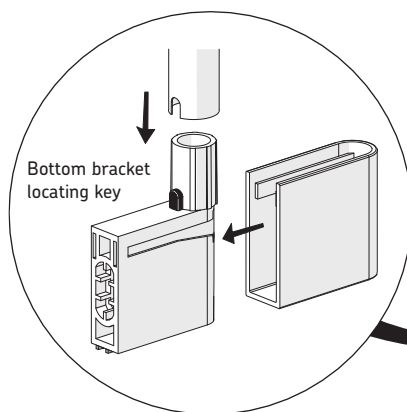
Use a spirit level to ensure that the hole positions and Rail (B) are vertical. Locate bracket key and rail position.

Note that the locating key is present only on one of the mounting brackets.

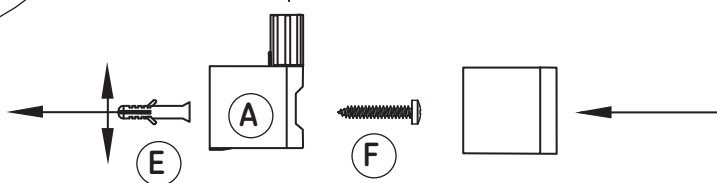
Fix the Mounting Brackets (A) and Rail (B) to the wall using a $\phi 6\text{mm}$ wall/tile bit, drill holes and fit the wall plugs (E).

The wall plugs supplied are suitable only for use in solid walls. If fitting to other types of walls, ensure that suitable fittings are used.

Using the screws (F) provided, fix the top Mounting Bracket into position. Then, with Slider (C), Soap Dish (D) and Hose Retainer (K) (optional) in the correct orientation, fit the Rail (B) to the top bracket (A). Insert the bottom Bracket (A) into the Rail (B) and secure to the wall.

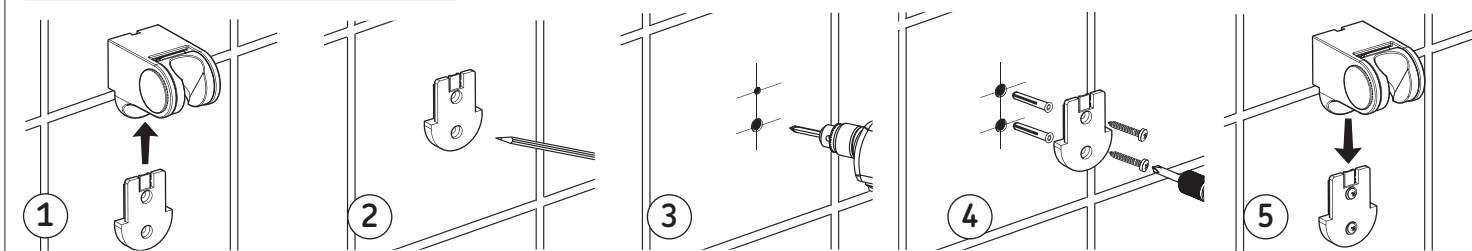


NOTE: Optional Hose Retainer (K) should be installed where double check valves are not to ensure that the shower headset cannot reach the toilet, sink, or bidet.



Re-fit the chrome covers on to the Mounting Brackets by sliding them into position. Place a Hose Washer (J) into one end of the Hose (I) then screw the shower handset on. Place the other Hose Washer (J) into the other end of the Hose (I) and fit to the Mixer.

(Optional) Wall Bracket (H)



Keeping your shower rail clean

This product should be cleaned periodically using normal domestic bathroom cleaning materials.

Do not use strong or concentrated acidic or alkaline cleaning materials as these may discolour or otherwise damage the product. After cleaning, always rinse with water then wipe thoroughly with a damp cloth to remove any cleaning material residues before drying off. It is important to clean areas such as seals and keep moving parts clear from build up of grime and water deposits to maintain good working order. Dry with a towel to prevent new water spots from forming. When possible, rinse the shower rail after use to remove soap and other deposits.

AKW Medi-Care Limited, Liberty House, Pointon Way, Hampton Lovett, Droitwich Spa, WR9 0LR

Website
www.akw-ltd.co.uk

Orderline
+44 (0)1905 823 298

Technical Enquiries
01905 560219
technicalenquiries@akw-ltd.co.uk

AKW
Life Made Better