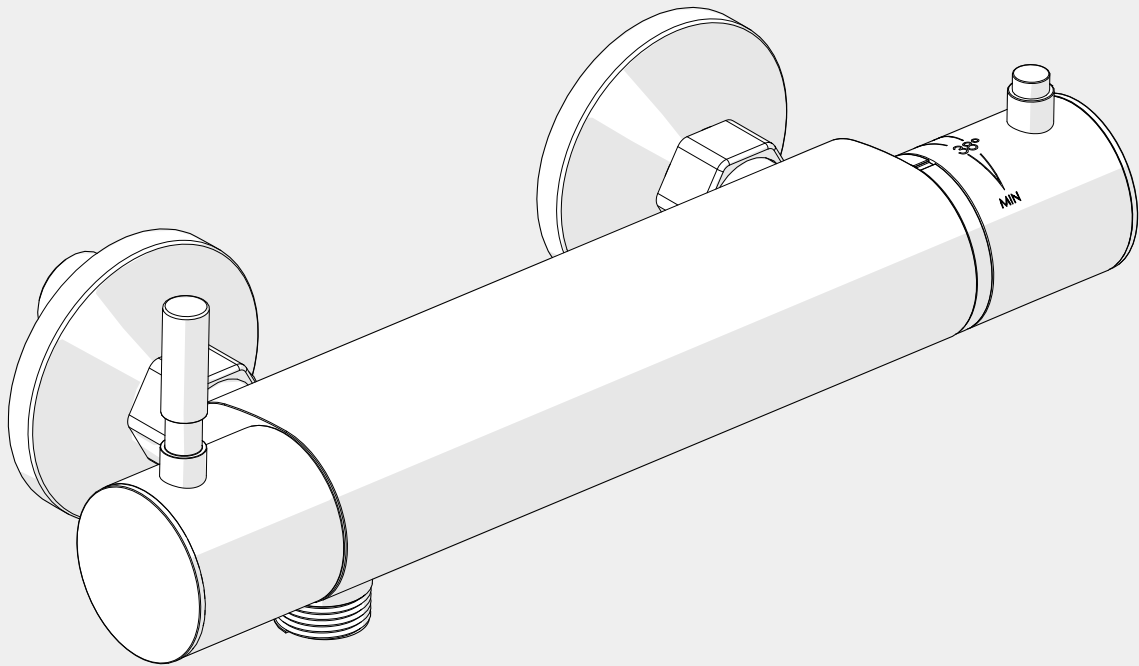


Vettora[®] Thermostatic TMV2 Mixer Shower

INSTALLATION INSTRUCTIONS

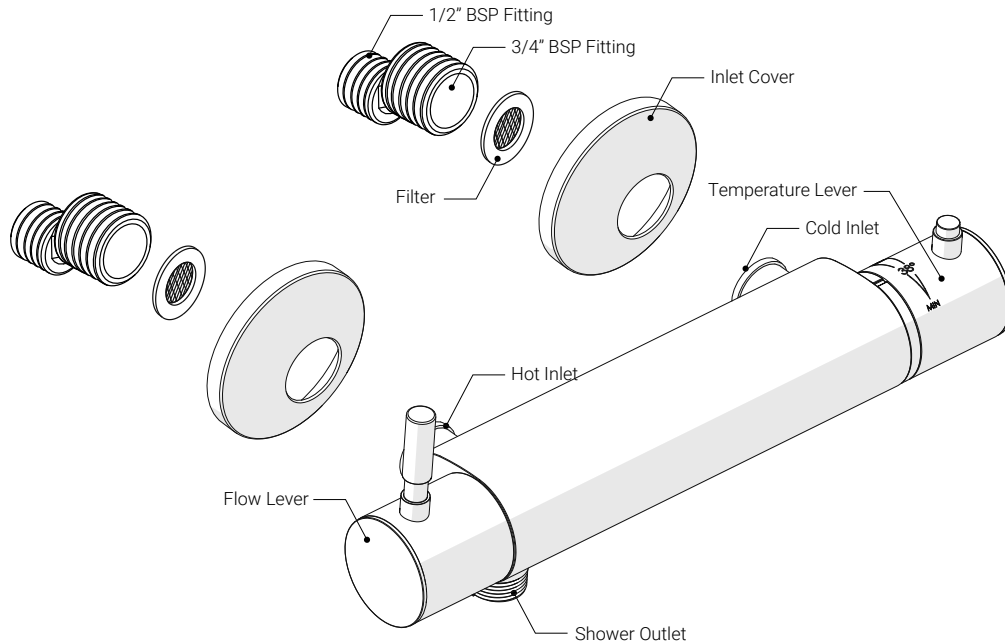


Stock Code
25657

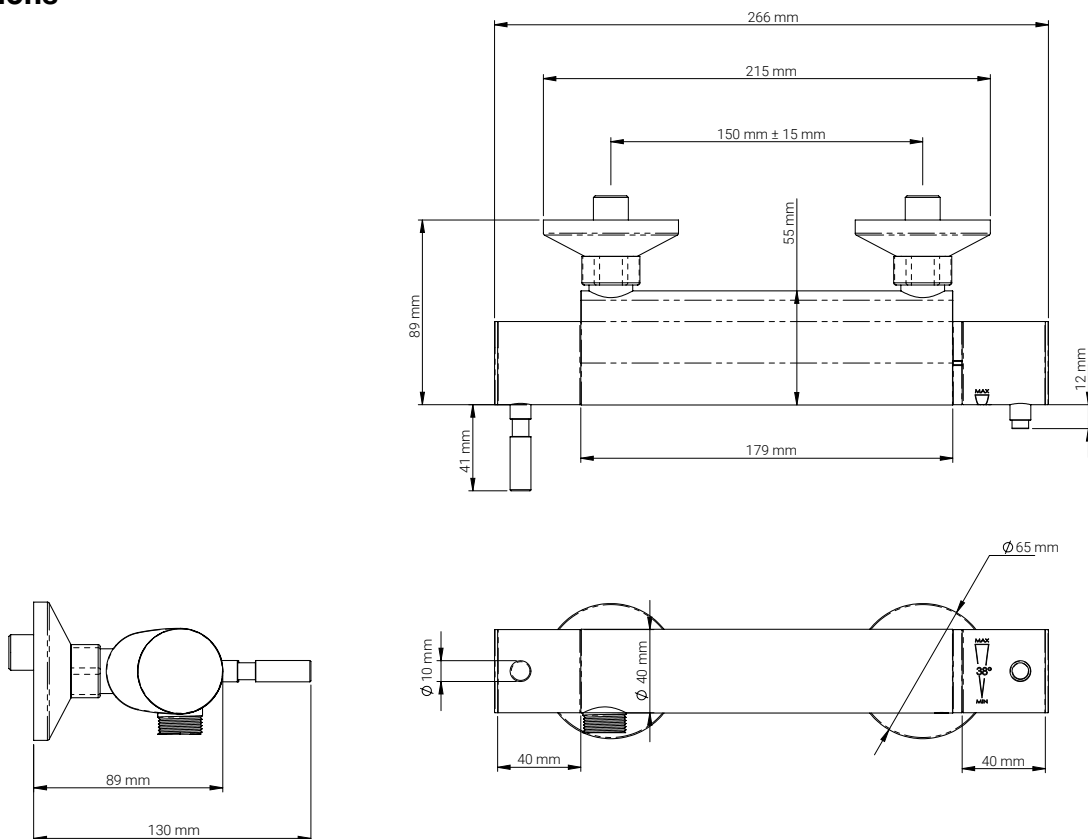
Please read all instructions before installation and leave this document with the end user for future reference as it contains important warranty information

Components & Dimensions

Components



Dimensions



Please check that all components are present from the packaging box prior to installation of this product. If anything is missing or damaged please contact General Enquiries - see back page.



Minimum Dynamic Pressure	1 Bar
Maximum Dynamic Pressure	3 Bar
Maximum Static Pressure	10 Bar
Dimensions for Fitting	150 mm +/- 15 mm
Concealed & Exposed Water Entry	Back
Inlet Connectors	3/4" BSP
Valve Type	Thermostatic Bar Shower Mixer with Independent Flow & Temperature Control
Approvals	TMV2, WRAS
Maximum Pre-Set Temperature	38°C
Maximum Pressure Difference (Between Hot & Cold Water Supply)	1 Bar
Maximum Flow (@ 3 Bar)	33.7 L/Min

Do not choose a position where the shower could become frozen. Do not connect this mixer shower to any form of tap or fitting not recommended by the manufacturer. Do not allow the inlet pressure or flow rates to operate outside the guidelines laid out in 'site requirements'.

This product is precision-engineered and should give continued superior and safe performance, provided that:

1. It's installed, commissioned, operated and maintained in accordance with the recommendations given in this manual and must be conducted by designated, qualified and competent personnel.
2. Installation must comply with all local/national water supply authority regulations/by-laws and building and plumbing regulations.
3. Periodic attention is given, as necessary, to maintain the product in good functional order. This product is designed to deliver water consistently at a safe temperature. In keeping with every other mechanism, the Vettora mixer cannot be considered as being functionally infallible therefore the Vettora mixer cannot totally replace the vigilance of nursing/ supervisory staff where that is necessary.

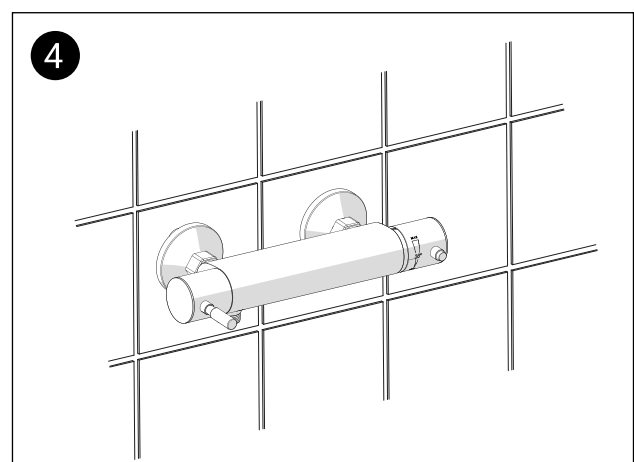
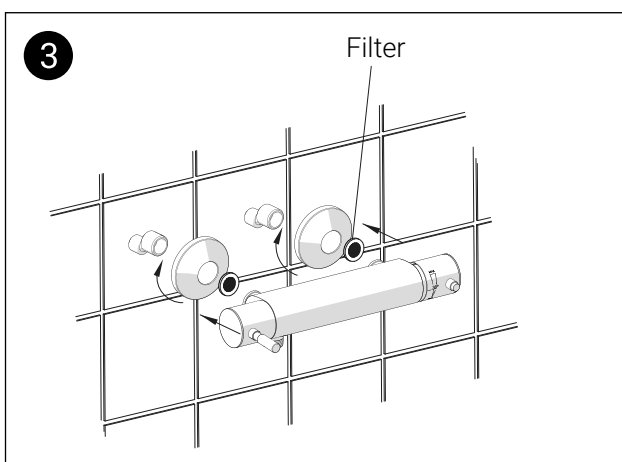
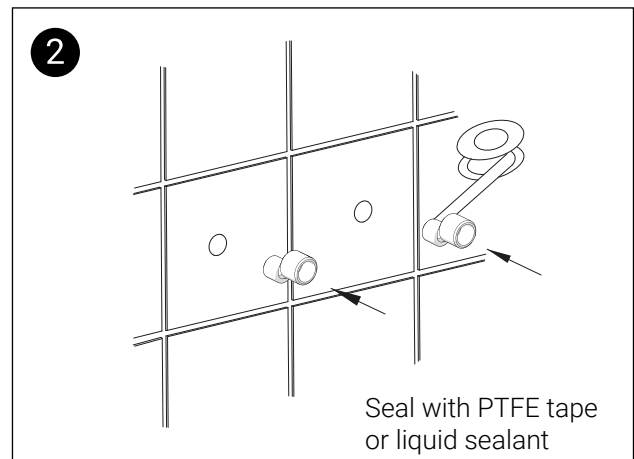
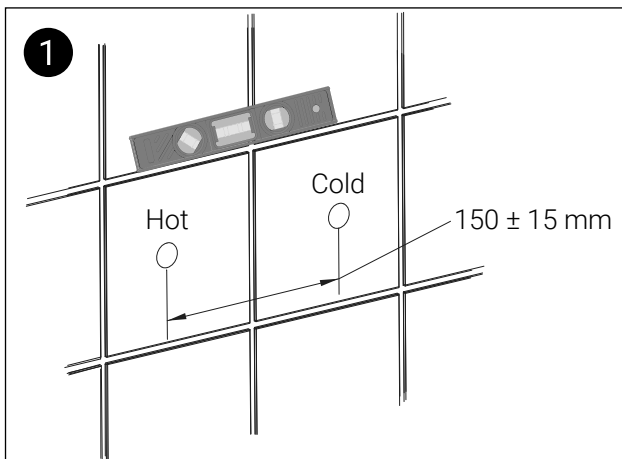
Provided it is installed, commissioned, operated and maintained within these recommendations, the risk of failure is not eliminated but can be reduced to a minimum.

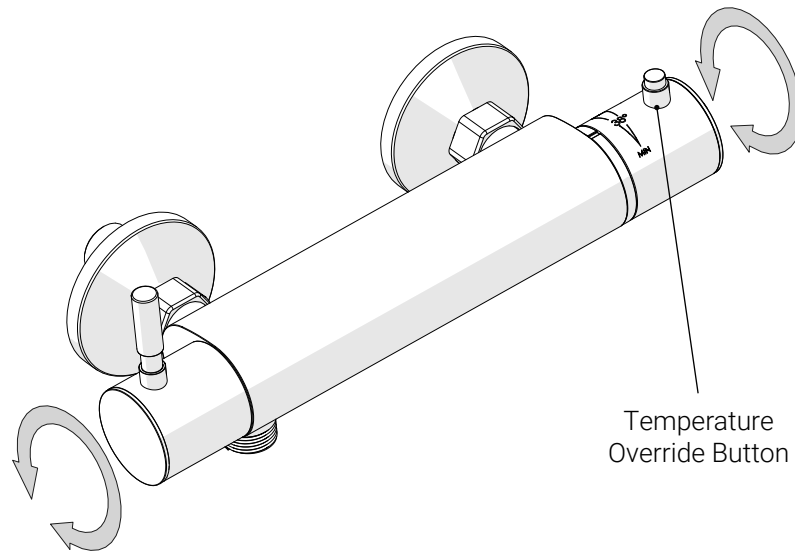
Installation

All pipe work must be flushed out and routed as protruding before installing the shower mixer. The hot and cold supply pipes must be anchored rigidly and must be mounted to a solid wall type to support the valve and stop any movement after installation. The inlet centres on the shower valves are 150 mm +/- 15 mm. Minimise pipework wherever possible. Recommended minimum supply line pipe diameter is 1/2" or 15 mm.

If it is intended to operate the shower in areas of hard water (above 200-ppm temporary hardness), a scale inhibitor may have to be fitted. For best performance the shower-handset **MUST** be regularly cleaned to remove scale and debris.

1. Mark out and drill two holes 150 ± 15 mm away from each other for the inlet pipes to feed through. Make sure that the holes are levelled.
2. The inlet threaded connection should be made only with a PTFE tape or liquid sealant. Do not use oil-based, non-setting jointing compounds.
3. Assemble the inlet cover, filter and 1/2" - 3/4" BSP fitting, and check valve (remove with a 9 mm hex key) and then finally the bar mixer itself.
4. Clean with a cloth and warm soapy water when everything is secure.





Adjusting the Flow

The flow is controlled by rotating the flow lever on the right side of the mixer.

Adjusting the Temperature

The temperature is controlled by rotating the temperature lever on the right side of the mixer. The temperature is limited to a comfortable showering level of 38 °C. To obtain a higher temperature, press the override button on the temperature lever and continue to rotate the lever.

Mixed Water Temperature

Application	Abbreviated Designation	Mixed Water Temperature (°C)
Shower	HP-S	38

Purpose

Since the installed supply conditions may be different from those applied in the factory, it is appropriate at commissioning to carry out some simple checks and tests of the product.

Procedure

Check that:

- The designation of the mixing valve matches the intended application.
- The supply pressures are balanced and within the range of operating pressures for the designation of the valve.
- The supply temperatures are within the range of 55 - 65 °C for the valve for the prevention of legionella etc.

Note: the final stabilised mixed water temperature during installation should not exceed the values in Table 3. If there is residual flow during the commissioning or the annual verification (cold water supply isolation test), it is acceptable providing the temperature of the water seeping from the valve is no more than 2 °C above the designated maximum mixed water outlet temperature setting of the valve. Temperature readings should be taken at the normal flow rate after allowing for the system to stabilise.

Maximum Temperature Setting

The maximum blend temperature obtainable by the user should be limited to prevent accidental selection of a temperature that is too hot.

Make sure that an adequate supply of hot water is available at the hot inlet of the mixer. The minimum temperature of the hot water must be at least 10 °C above the desired blend. However, during resetting, this should be close to the typical storage maximum to offset the possibility of any blend shift due to fluctuating supply temperatures. Make sure that both inlet isolating valves are fully open. Temperatures should always be measured using a thermometer with proven accuracy.

Fault	Diagnosis
Water temperature is too hot or too cold	No hot water is reaching the mixer - check supply Inlet tails are reversed - check connections Filters are blocked - check filters Conditions are outside of the specifications. Isolation valve is closed - check valves Temperature set too high during commissioning - check setting Airlock in the inlet pipework - check for airlocks Water supply is not balanced - check supply pressure is balanced
Low flow	Filters are blocked - check filters Isolation valve is closed - check valves Conditions are outside of the specifications. Supply pressure too low - check the supply is above 0.5 Bar
No flow	No hot water is reaching the mixer - check supply Filters are blocked - check filters Isolation valve is closed - check valves
Water goes cold in use	No hot water is reaching the mixer - check any boiler or water tank that is supplying hot water
Water is leaking from the mixer Cannot turn the mixer off	Seals worn or damaged - request service

Contact Us

AKW
Life Made Better

Orders & Quotes

01905 823 299
orders@akw-ltd.co.uk

General Enquiries

01905 823 298
sales@akw-ltd.co.uk

Technical Enquiries

01905 560 219
tech@akw-ltd.co.uk

Kitchen Enquiries

01905 823 262
kitchens@akw-ltd.co.uk

Fax

01905 823 297

AKW

Pointon Way, Hampton Lovett
Droitwich Spa, WR9 0LR

www.akw-ltd.co.uk
orders.akw-ltd.co.uk

Follow us on Social:



Warranty

Warranty applies only to manufacturing or material defects, conditional on the one-time correct installation of the product. It does not apply to:

- Inappropriate use or accidental damage.
- Damage or defects that result from incorrect installation.
- Lack of maintenance including the build up of grime or damage resulting from inappropriate cleaning.
- Damage or defects that result from repairs or modifications undertaken by unauthorised persons.
- General wear and tear through usage and does not apply to surface finishes.

Warranty period starts from the date of installation.

To activate your warranty, you must register your product within 30 days of installation. See the T&Cs on our website for further information.

Select 1 of 3 ways to activate your warranty

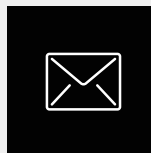


1. Scan using your Smart Device



2. Visit Online

akw-ltd.co.uk/warranty-information



3. Warranty Card

Fill and complete warranty card and post using the prepaid envelope supplied

What to do if something goes wrong?

In the event that you encounter a problem with this product, follow the trouble shooting guide if applicable, then contact your local installer. If the issue is still unresolved, contact AKW Technical Enquiries who will provide further advice and arrange for a maintenance engineer to visit if necessary. None of the foregoing affects your statutory rights.