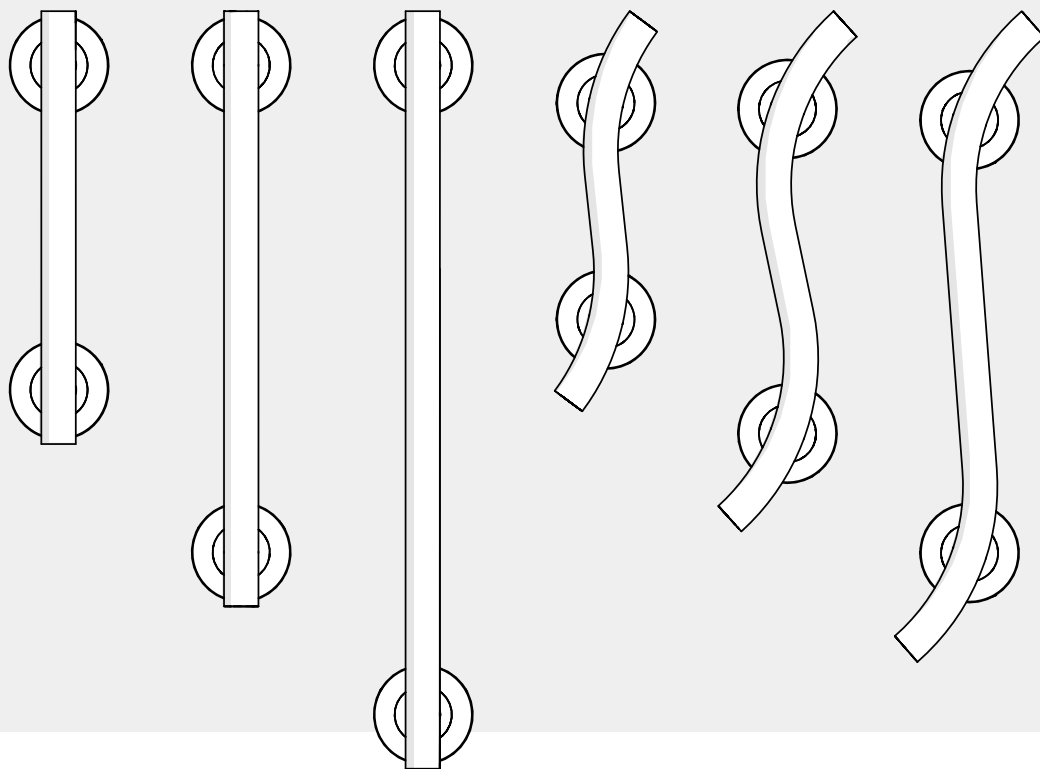


# Norye Stainless Steel Grab Rails

## INSTALLATION INSTRUCTIONS



Please read all instructions before installation and leave this document with the end user for future reference as it contains important warranty information

# Important Information & Installation

**Installation must be carried out in accordance with these instructions, and must be conducted by a competent installer.**

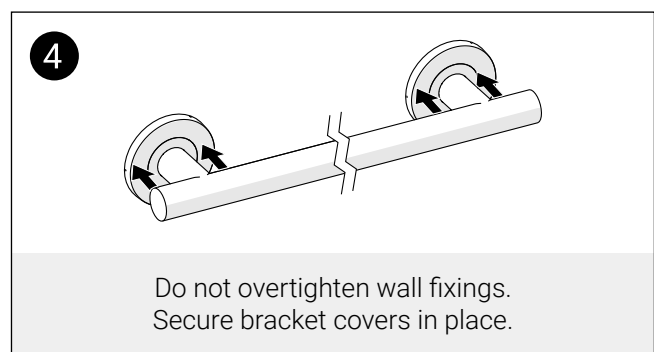
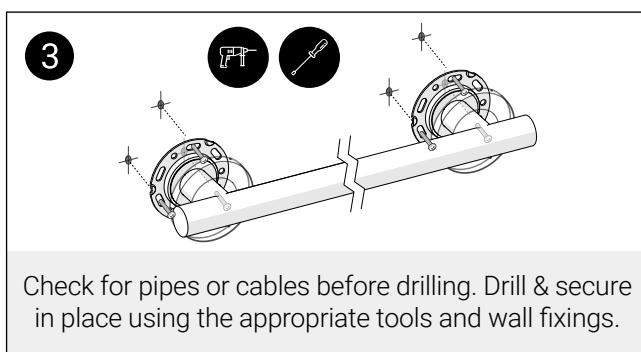
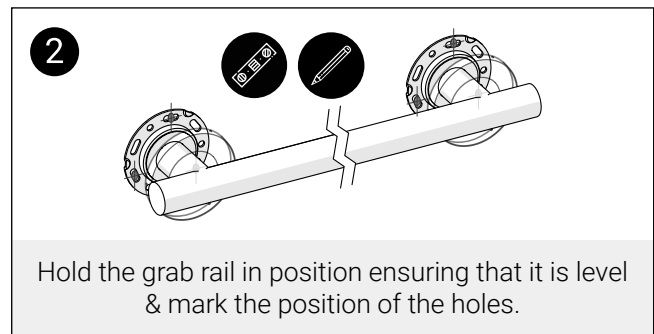
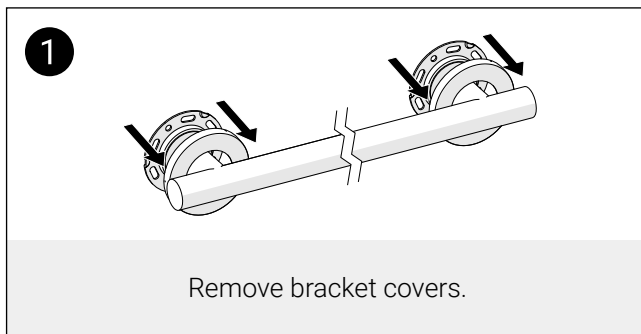
## Important

Before fixing anything to the walls, ensure that the construction of that wall type is capable of the maximum weight of the loaded unit and that the appropriate fixings and fixtures are used for that wall type. Wall fixings are not supplied.

Do not use countersunk screw fixings.

## Before you start

Please remove any protective covering and examine carefully. Check that all items are present before discarding of all packaging. Please notify the retailer immediately of any damage or faults. The manufacturer cannot be held responsible for any installation costs that may arise from damaged or faulty products being installed and not in accordance with these instructions. Keep small parts and packaging away from children and dispose all packaging in accordance with the local recycling authorities.



Product	Diameter	Length	Height	Rail Colour	Stock Code
300mm Stainless Steel Grab Rail	32mm	300mm	56mm	Brushed Stainless Matt Black	01273SS 01273BK
450mm Stainless Steel Grab Rail	32mm	450mm	56mm	Brushed Stainless Matt Black	01274SS 01274BK
600mm Stainless Steel Grab Rail	32mm	600mm	56mm	Brushed Stainless Matt Black	01275SS 01275BK
200mm Curved Stainless Steel Grab Rail	32mm	200mm	56mm	Brushed Stainless	01270
300mm Curved Stainless Steel Grab Rail	32mm	300mm	56mm	Brushed Stainless	01271
400mm Curved Stainless Steel Grab Rail	32mm	400mm	56mm	Brushed Stainless	01272

**PRODUCT SPECIFICATION AND DATA INFORMATION**

**Maximum weight load:**

23.6 stone (150kg)

Weight load refers to the grab rail only, applied for less than 30 minutes in any 60 minute period. Fixings and retention in the mounting surface are the responsibility of the installer.

Standard operating temperature range: -5°C to +35°C.

Materials of construction:

Brackets: SS304 | Bracket covers: SS304 | Rails: SS304

# Contact Us

**AKW**<sup>®</sup>  
Life Made Better

## Orders & Quotes

01905 823 299  
orders@akw-ltd.co.uk

## General Enquiries

01905 823 298  
sales@akw-ltd.co.uk

## Technical Enquiries

01905 560 219  
tech@akw-ltd.co.uk

## Kitchen Enquiries

01905 823 262  
kitchens@akw-ltd.co.uk

## Fax

01905 823 297

## AKW

Pointon Way, Hampton Lovett  
Droitwich Spa, WR9 0LR

[www.akw-ltd.co.uk](http://www.akw-ltd.co.uk)  
[orders.akw-ltd.co.uk](http://orders.akw-ltd.co.uk)

## Follow us on Social:



## Warranty

Warranty applies only to manufacturing or material defects, conditional on the one-time correct installation of the product. It does not apply to:

- Inappropriate use or accidental damage.
- Damage or defects that result from incorrect installation.
- Lack of maintenance including the build up of grime or damage resulting from inappropriate cleaning.
- Damage or defects that result from repairs or modifications undertaken by unauthorised persons.
- General wear and tear through usage and does not apply to surface finishes.

Warranty period starts from the date of installation. See the T&Cs on our website for further information.

### Select 1 of 2 ways to activate your warranty



#### 1. Scan using your Smart Device



#### 2. Visit Online

[akw-ltd.co.uk/warranty-information](http://akw-ltd.co.uk/warranty-information)

### What to do if something goes wrong?

In the event that you encounter a problem with this product, follow the trouble shooting guide if applicable, then contact your local installer. If the issue is still unresolved, contact AKW Technical Enquiries who will provide further advice and arrange for a maintenance engineer to visit if necessary. None of the foregoing affects your statutory rights.