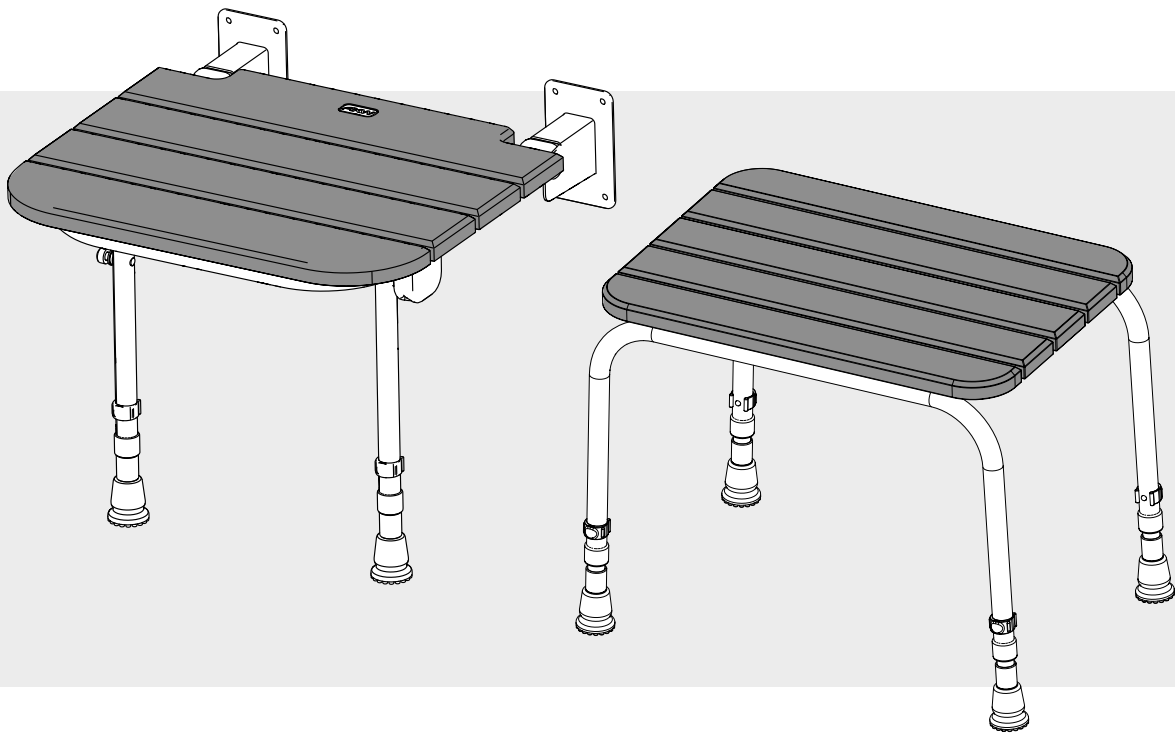


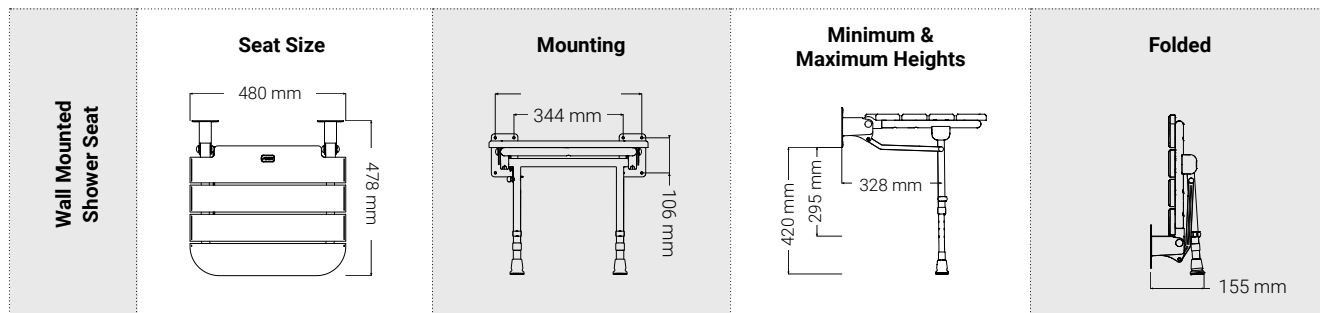
# Wooden Slatted Shower Seats

## INSTALLATION AND USER MANUAL



# Wall Mounted Shower Seat Information

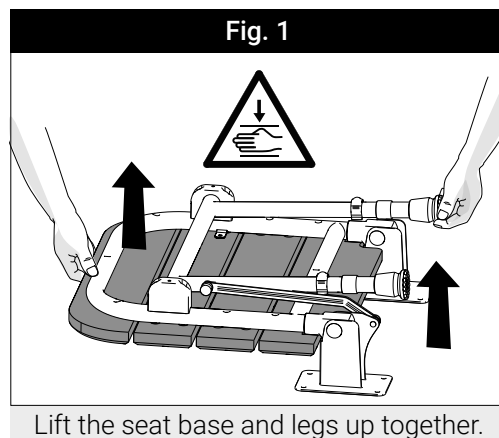
## Dimensions



**This product is rated to 40 stone (254 kg, 560 lb). Do not exceed this weight capacity.**

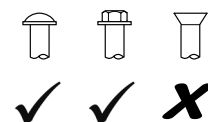
Remove all packaging and examine the product for any damage or manufacturing faults. Notify the retailer immediately if damage or faults are found. Check that all items are present before discarding any packaging. The manufacturer cannot be held responsible for any installation costs that may arise from damaged or faulty products being installed and not in accordance with these instructions.

Be careful of the finger traps around the legs and frame. Hold the seat as shown in Fig. 1 if opening it when inverted. Do not force the legs away from the seat base.



This seat must be attached to a finished vertical surface, capable of supporting the specified weight limit. Use suitable wall fixings appropriate to the type of surface and loading conditions. Check that the floor surface is suitable for supporting the weight applied on the feet when in the down position. Acrylic shower trays are not recommended.

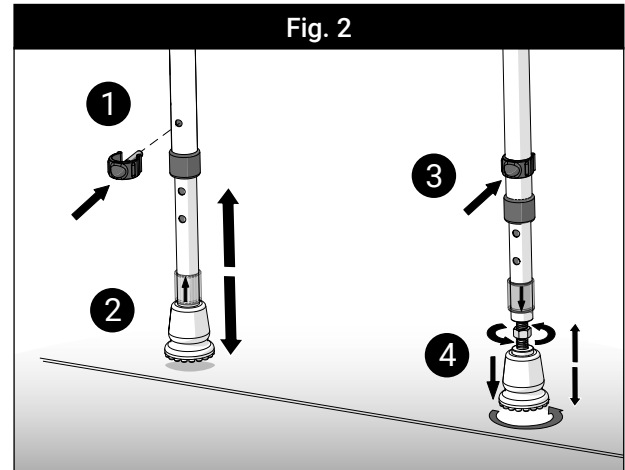
- No fixings are supplied due to the various mounting surfaces to which the seat can be attached. Do not use countersunk head fixings. Do not enlarge the holes in the wall brackets. Consult a fixing manufacturer if you are unsure of what to use.
- Stainless steel wall fixings are recommended.
- Take care not to damage the painted surface on the seat brackets.
- Make sure that all fixing holes are used.
- Do not stand on the seat or use it as a step.
- Once installed check that the plastic pivot caps are firmly in place and the leg C-clips are installed.



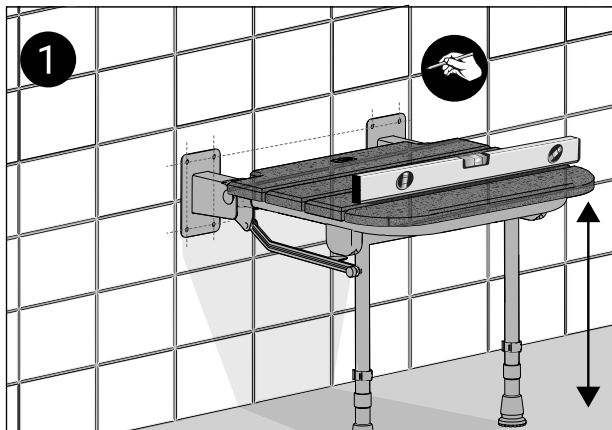
**The support legs must not exceed a maximum of 1 in 40 shower base slope when placed in the down position. Curved surfaces such as corners of bathtubs are not acceptable.**

Adjust support legs ensuring that both legs sit firmly on a flat surface as shown in Fig. 2.

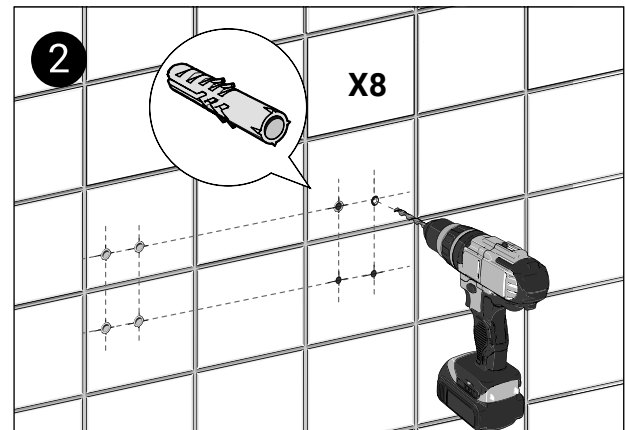
1. Remove the leg C-clips.
2. Adjust the leg height to the desired height when the seat is level in the down position.
3. Insert C-clips.
4. Unscrew the adjustment foot until it is tight against the floor and lock the foot with the nut tightened up with a spanner.



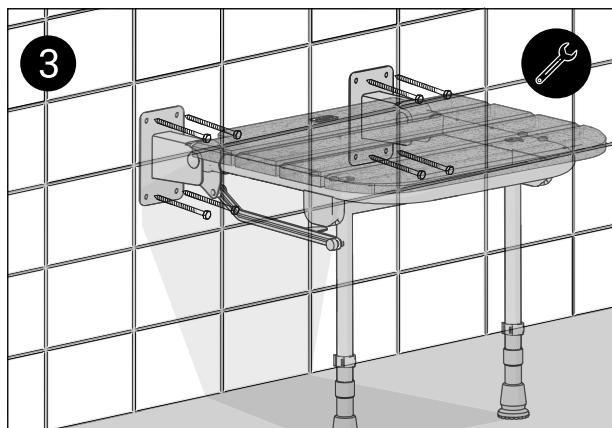
## Installation



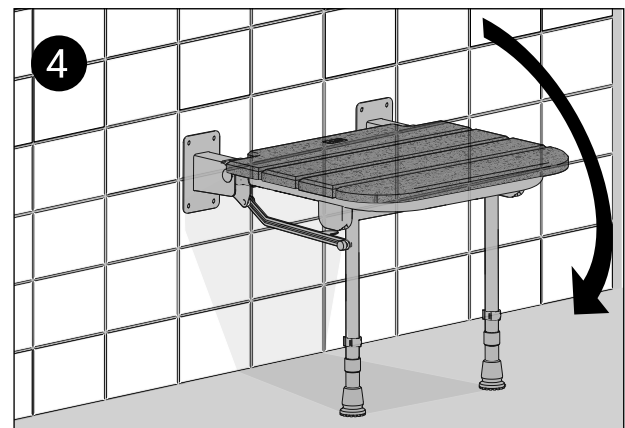
Mark the desired position of the mounting brackets on the wall ensuring the seat is level. Adjust the feet to make finer adjustment.



Check for cables and pipework before drilling. Drill the holes with a suitable drill bit and insert wall plugs.



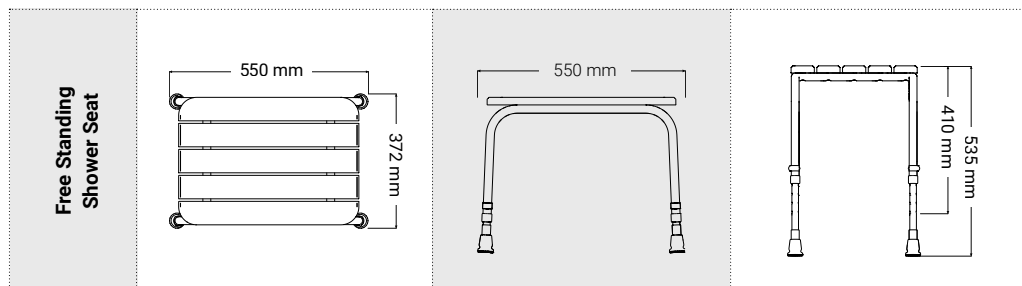
Use suitable wall fixings to secure the mounting brackets to the wall.



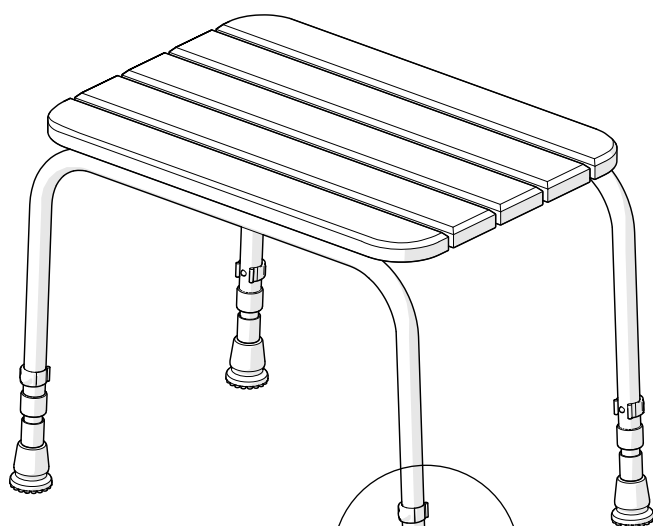
Ensure all fixings are secure. When the seat is in the down position, ensure both feet are flat against the floor surface.

# Free Standing Shower Seat Information

## Dimensions



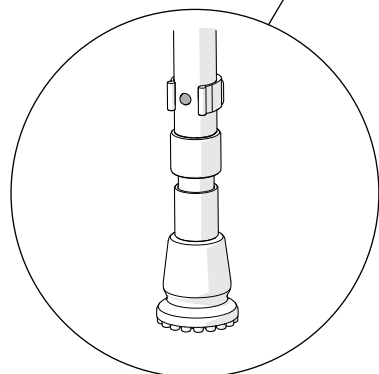
**This shower seat product is rated to 40 stone (254kg, 560lb). Do not exceed this weight capacity. Do not stand on the shower seat.**



The Wooden Slatted Shower Seat is supplied pre-assembled with adjustable legs which allow 25mm incremental height adjustments between 410 and 535mm.

Always ensure that the legs are fitted securely with the adjustable leg clips firmly in place and the legs are of even length.

When adjusting the leg length, align the holes and ensure that the leg clip pin is clearly visible on the back of the leg.



## Shower Seat Use

Shower seats must be used only for the task it is intended to perform. Do not stand on it or misuse it. This may have serious detrimental effects on its performance and safety. If any maintenance is required, it must be carried out by a competent installer.

It is advised that this product should be checked as part of a planned maintenance programme. Children and other users may require supervision when using this product.

## Keeping your AKW Shower Seat Clean

Seats should be cleaned periodically to remove any accumulation of hair or other waste material, using normal domestic bathroom cleaning materials. It is important to keep areas such as seals and moving parts clear from build up of grime and water deposits, to maintain good working order. Always rinse the shower seat with warm water. After cleaning, always flush down with water then wipe thoroughly with a damp soft cloth to remove any cleaning material residues before drying off.

## Disinfecting

Where disinfecting is necessary, standard established procedures for disinfecting equipment should be used with due care and attention taken of the warnings concerning possible effects of aggressive chemicals on plastics. Do not use strong or concentrated acidic, alkaline, or other cleaning materials on an abrasive pad as these may discolour or damage the product. If more thorough cleaning is needed using domestic cleaning products always test on a small area first.

## Packaging

All packaging should be disposed of in accordance with local recycling regulations.

## Further information

These instructions are provided to advise the minimum standards of installation and recommend what the best practice for the installation is. Therefore due to the very wide variability of possible installation conditions, AKW cannot provide all circumstances for the installation. AKW cannot accept any liability in connection with this information or its use. This information is provided on the condition that the person receiving it shall make his/her own tests to determine the suitability for his/her particular purpose. Failure to install this AKW product in accordance with supplied instructions or the making of unauthorised modifications will invalidate any warranty and may affect product safety. None of the foregoing affects your statutory rights.





# Contact Us

**AKW**<sup>®</sup>  
Life Made Better

## Orders & Quotes

01905 823 299  
orders@akw-ltd.co.uk

## General Enquiries

01905 823 298  
sales@akw-ltd.co.uk

## Technical Enquiries

01905 560 219  
tech@akw-ltd.co.uk

## Kitchen Enquiries

01905 823 262  
kitchens@akw-ltd.co.uk

## Fax

01905 823 297

## AKW

Pointon Way, Hampton Lovett  
Droitwich Spa, WR9 0LR

[www.akw-ltd.co.uk](http://www.akw-ltd.co.uk)  
[orders.akw-ltd.co.uk](mailto:orders.akw-ltd.co.uk)

## Follow us on Social:



## Guarantee

The life time guarantee applies only to manufacturing or material defects, conditional on the one-time correct installation of the product.

Does not apply to:

- Inappropriate use or accidental damage.
- Damage or defects that result from incorrect installation.
- Lack of maintenance including the build up of grime or damage resulting from inappropriate cleaning.
- Damage or defects that result from repairs or modifications undertaken by unauthorised persons.
- This guarantee excludes general wear and tear through usage and does not apply to surface finishes.

## What to do if something goes wrong?

In the event that you should encounter a problem with this product, please contact your local installer and if this does not resolve the issue, then contact AKW technical team who will provide further advice and, if necessary, arrange for a maintenance engineer to visit and report any issues. See the T&Cs on our website or our catalogue for further information. None of the foregoing affects your statutory rights.