



ALWAYS read the installation instructions before installing this product.
ALWAYS attach grid removal tool to a cord to prevent loss.



ALWAYS read the installation and end user care instructions.

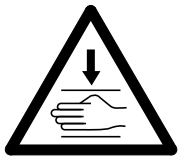


ALWAYS match the correct waste to the shower base.

ALWAYS have the waste installed by a trained and experienced skilled craftsman.



NEVER use the waste without the unit fully assembled.



BEWARE A child finger trap may be present during the handling or use of this product.
ALWAYS Keep fingers clear of the gaps between the cover, and the locking ring during installation.



DO NOT place matches or cigarettes on or near this product.
 The following plastic materials are used in this product: Acrylonitrile Butadiene Styrene (ABS)

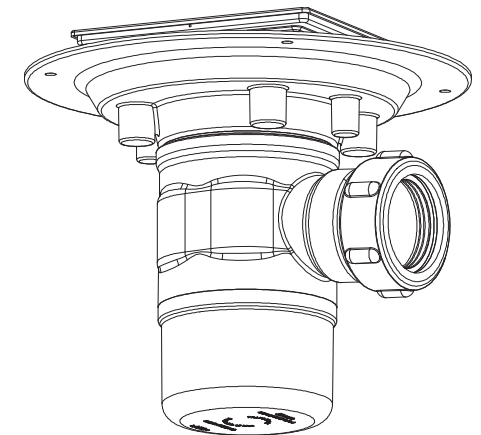
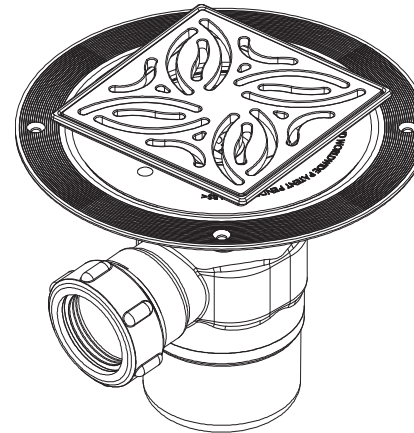
This product carries a lifetime warranty against manufacturing and material defects conditional on the one-time correct installation of the product. Warranty excludes debris & blockages and improper installation. Your statutory rights are not affected.

The measurements throughout these installation and user care instructions have been converted from metric to its equivalent in imperial, therefore all dimensions are approximate and subject to manufacturing tolerances. Level Best does not make any warranty, expressed or implied, or accept any liability in connection with this information or its use. This information is furnished upon the condition that the person receiving it shall make his/her own tests to determine the suitability thereof for his/her particular purpose.



TFWA Waste Adaptor with Stainless Steel cover & 50mm gravity waste

Installation and user care instructions



Colour: White

Internal Building use only

Patent Pending

For further details on this and other Level Best products please contact your distributor - see details on outer packaging

Installer: Please ensure that this information is left with the end user of this product.

Installation Instructions

Follow the instructions provided with the gravity waste. Do Not fit the the waste top cover as this is replaced by the stainless steel cover.

As a "dry run" first place the wet floor former into the desired location and determine the position and depth of clearance required to position the gravity waste.

Before fitting the gravity waste place the nut onto the waste pipe, followed by the backing ring and the seal. Insert waste pipe into the gravity waste, and tighten nut. Check pipe connection is correctly assembled, sealed and watertight.

Now install the wet floor former over the gravity waste according the instructions.

Before installing the TFWA check the shower tray area slopes correctly towards the waste and the waste outlet pipe slopes down and away from the waste position by approximately 25mm per metre run (1 in 40).

To remove the central Stainless Steel grid (A) insert the grid removal tool into one of the corner slots. Then gently lever the grid up and out. Do not try to pull the grid out vertically.

Unscrew the grid frame threaded adjustment ring (B) – put these to one side.

Locate the waste in the required position, ensuring the main body seal firmly in position and is in contact with the underside of the TFWA.

Align and fit the locking ring by turning clockwise to tighten. Check the seal is in position in the trap tube groove then lower the trap into the recess within the waste body.

Refitting the gravity waste cover is optional but can be replaced by rotating until the lugs snap into place.

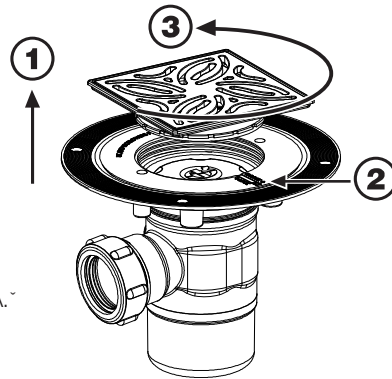
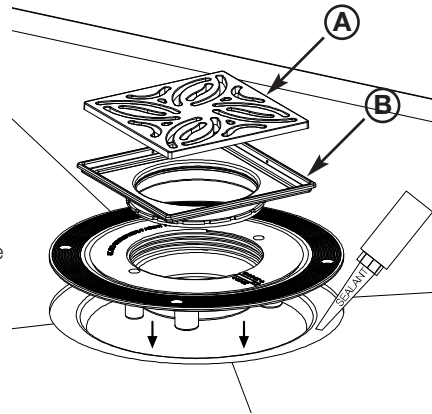
Apply sealant to the underside of outer rim and install into centre hole of Tuff Form Former. Secure with 4 x CSK Head screws. Ensure the heads are flush and do not protrude or they may cut into the Wet Floor waste gasket seal.

Fitting the sealed Flooring

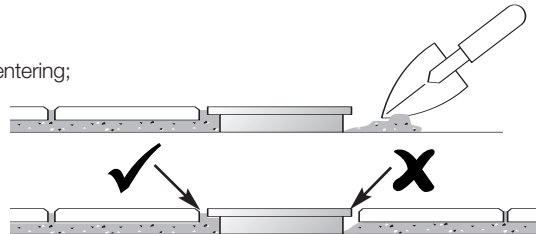
Temporarily blank off waste centre hole to stop debris entering;

Apply wet floor tanking sealant to floor to overlap edge of waste 25mm, let this dry before continuing;

Depending upon the thickness of the floor tiles to be used, change the threaded adjustment ring (B) (small = 6-16mm (1/4"-5/8" in) / large = 16-25mm (5/8"-1 in). This part is a push fit but may require some leverage to remove.



1. SET HEIGHT BY ROTATING THREADED RING
2. LOCK IN POSITION WITH SLIDER
3. ALIGN WITH TOP OF TILE BY ROTATING STAINLESS STEEL COVER PLATE



Fitting the sealed Flooring (continued)

Insert centre waste grid fitting carefully and screw down until height is level with intended finished floor. ①

Move sliding locking clip towards centre of waste to lock height adjustment; ②

Rotate centre grid to line up with tile edges (this is sometimes a tight / stiff action); ③

REMOVE THE CENTRE STAINLESS STEEL GRID AND STORE TO ONE SIDE TO ENSURE IT IS NOT DAMAGED DURING TILING

IMPORTANT: Tiling cement must be carefully packed around and below the centre grid support to ensure a long and trouble free life to the product and water-proof seal to the flooring is maintained.

Finishing the waste installation

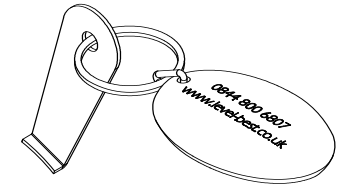
Clean up inside the waste grid area of tile grout and cement – do NOT place this in the waste!

REMOVE TEMPORARY WASTE BLANKING MATERIALS, clean any grout and cement or other rubbish from the waste; lift out the trap bucket and empty it.

Re-fit the stainless steel grid. It should sit level with the edge of the frame and the finished floor surface.

User Care Instructions

The Level Best TFWA is designed for low maintenance and reliable operation. The TFWA and gravity waste located inside should be checked as part of a planned maintenance programme, any part showing evidence of damage or misuse must be replaced.



Keeping your TFWA Clean

This product should be cleaned periodically to remove any accumulation of hair or other waste material, using normal domestic bathroom cleaning materials.

To remove and clean the trap, first remove the stainless steel grid using the tool provided.

Disinfecting

Where disinfecting is necessary, standard procedures for disinfecting equipment should be used taking due care and attention to the warnings below concerning possible effects of aggressive chemicals on plastics.

After cleaning always flush down with water then wipe thoroughly with a damp cloth to remove any cleaning material residues before drying off.

Do not use strong or concentrated acidic, alkaline or other cleaning materials as these may discolour or otherwise damage the product.

To remove and clean the trap, first remove the Stainless Steel Grid using the tool provided, remove the waste cover by rotating anti-clockwise until it clicks free. Lift the cover off by gripping the edges. Lift the trap up vertically by gripping the centre peg. Reinstall following the above instructions.

Level Best do not approve or recommend autoclave cleaning of any of the components due to the damage this can cause to the special engineering plastics used in the construction of this product.

Packaging

This TFWA is supplied in a polypropylene (PP) bag to keep the product unsoiled until installation; it may also be packed in a cardboard box. Both are suitable for recycling operations and should be disposed of in accordance with local recycling regulations.