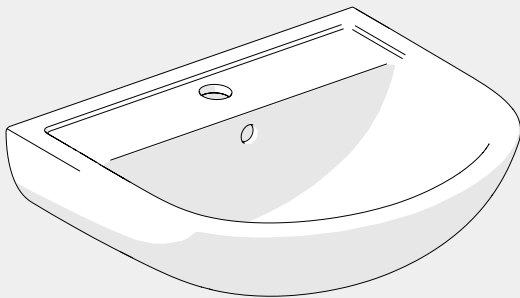
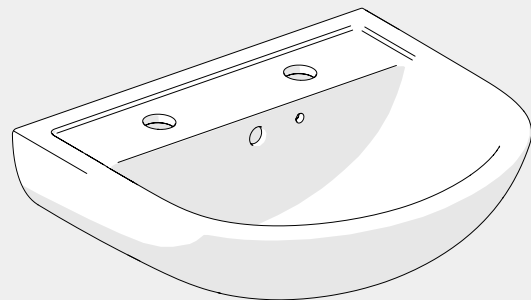


Navlin Washbasins

INSTALLATION INSTRUCTIONS



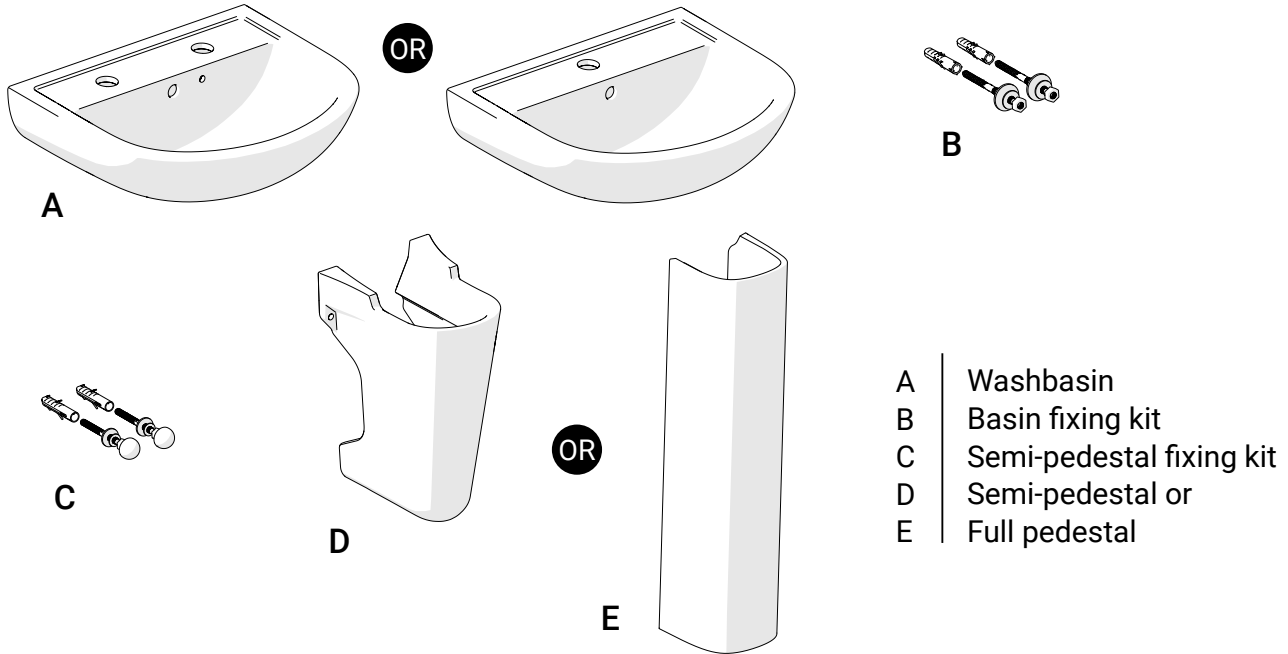
Stock code
450 mm - **23576**
500 mm - **23578**
550 mm - **23580**



Stock code
450 mm - **23577**
500 mm - **23579**
550 mm - **23581**

Important Information

Parts Supplied



Installation of this product must be carried out in accordance with these instructions, and must be conducted by a qualified and competent installer.

Verify that all parts are present and in good condition. If any parts are missing or damaged, contact AKW General Enquiries. By proceeding with installation, you are accepting that the product is in a suitable condition. Claims of faulty/damaged product once installation has begun are void.

Install this product only if the wall is capable of sustaining the loads to which it will be subjected. Check for any buried cables or pipework before drilling into the wall. Handle the ceramic carefully to avoid chipping/cracking it.

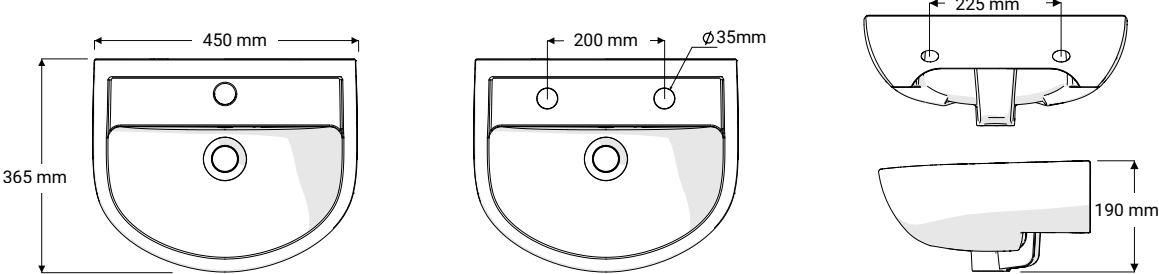
Refer to the instructions of the waste pipe/trap and tap as well as this instruction as their installation will be performed simultaneously with this basin.

This basin can be installed with a semi-pedestal or a full pedestal. The full pedestal can be installed in two modes: load bearing or cosmetic. The load bearing option has the weight of the basin resting on the pedestal. The cosmetic option has the basin's fixings supporting the basin while the pedestal is simply pushed underneath to cover the pipework.

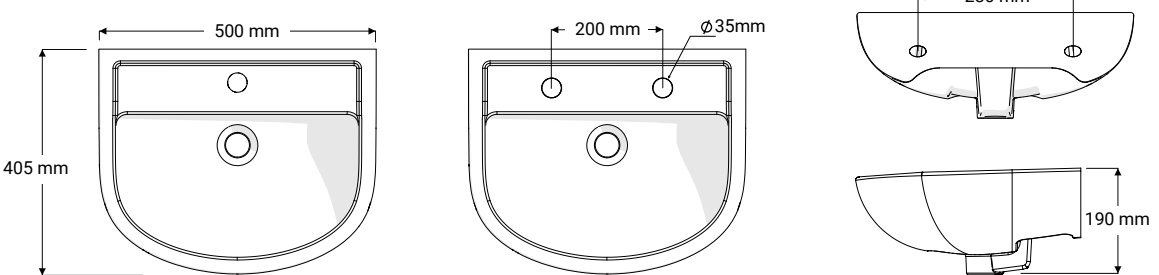
These instructions advise the minimum standards of installation. Due to the variety of installation conditions, AKW cannot account for all circumstances. This information is provided on the condition that the installer determine its suitability for each case.

Dimensions

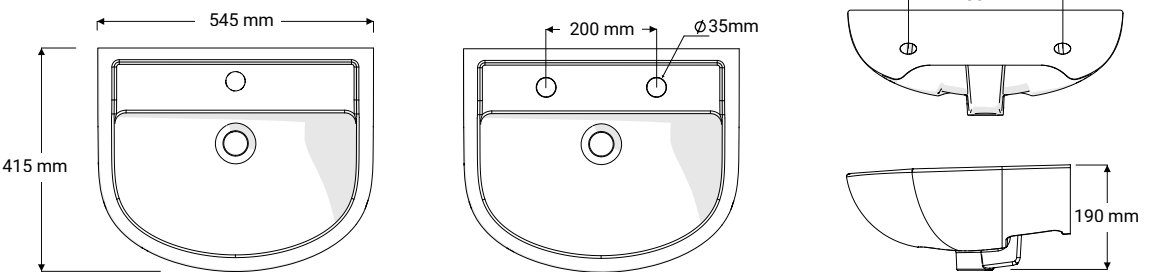
450 mm washbasins, 1 and 2 tap hole



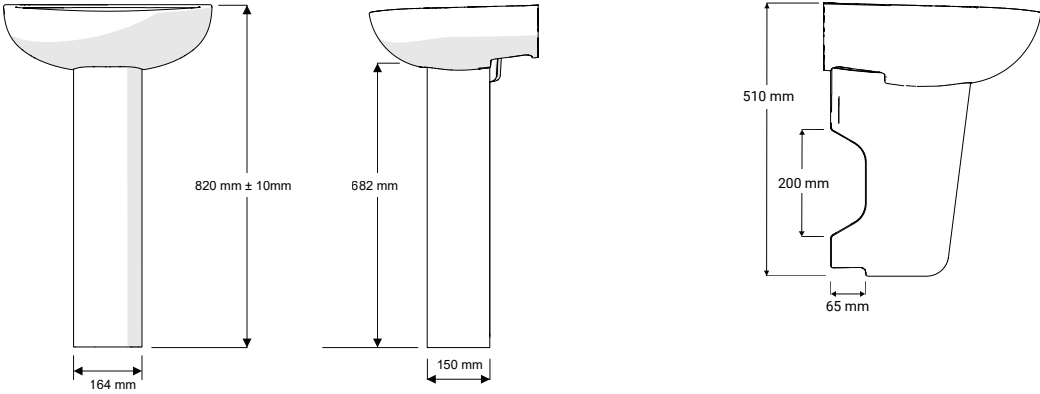
500 mm washbasins, 1 and 2 tap hole



550 mm washbasins, 1 and 2 tap hole



Pedestals



Semi-pedestal

1. Offer the basin up to the wall and mark the fixing hole positions. Ensure that the basin is level.
2. Drill the holes and insert the wall plugs.
3. Insert the studs into the wall plugs.
4. Place the basin over the studs, ensuring that the plastic sleeves go onto the studs to protect the ceramic.
5. Slide the washers onto the studs, then thread the nuts on and tighten to hold the basin against the wall.

Now is probably the convenient point to do the plumbing of the tap(s) and waste pipe.

6. Offer the semi-pedestal up to the wall and mark the fixing holes.
7. Perform steps 1 to 5 but with the semi-pedestal.

Full pedestal – load bearing

1. Place the pedestal into roughly the right position.
2. Place the basin on top of the pedestal.
3. Slide the pedestal back until the basin touches the wall.*
4. Mark the fixing holes of the basin.
5. Remove the basin and pedestal.
6. Perform steps 2 to 5 of the semi-pedestal installation but do not tighten the nuts. You should be able to lift the basin slightly so that the pedestal can be slid back in place.

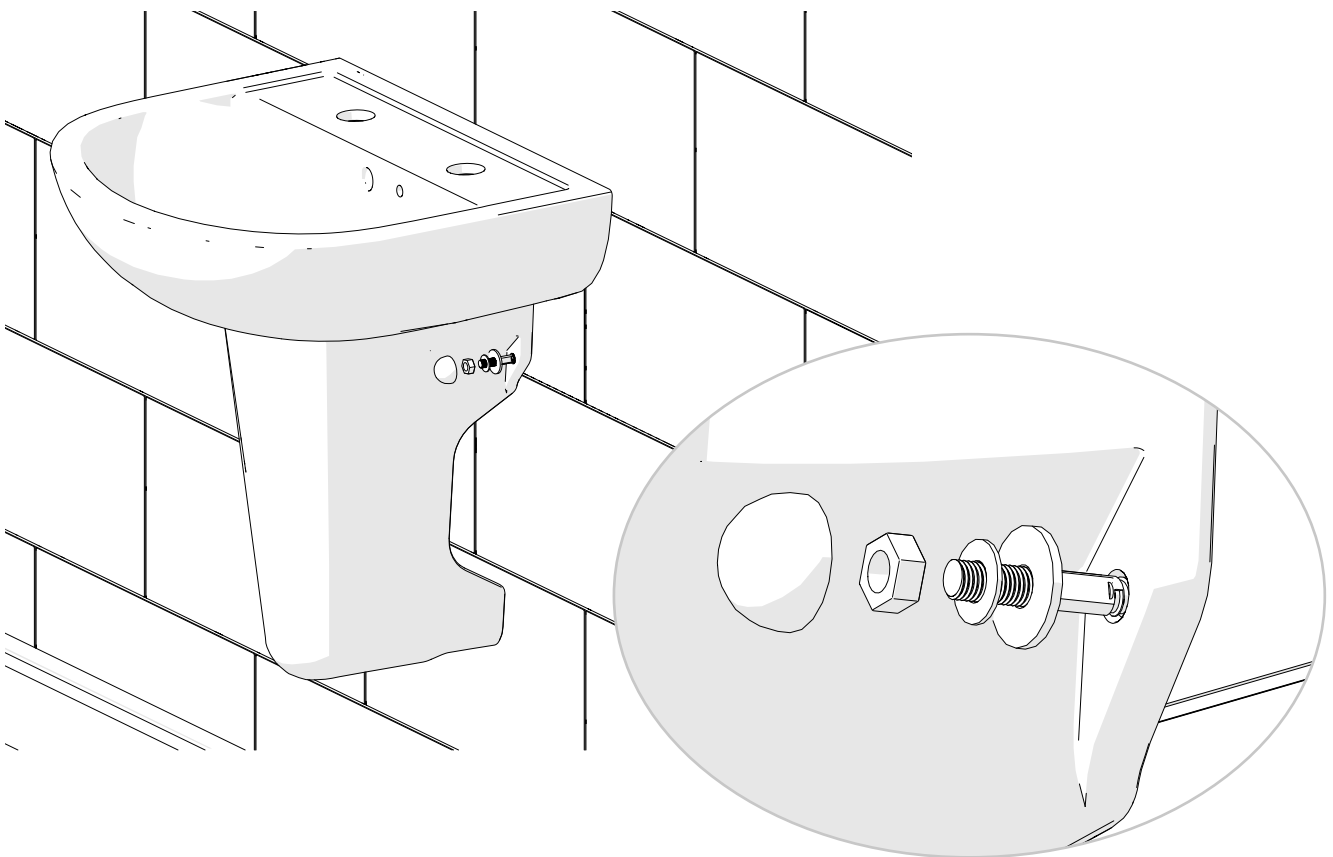
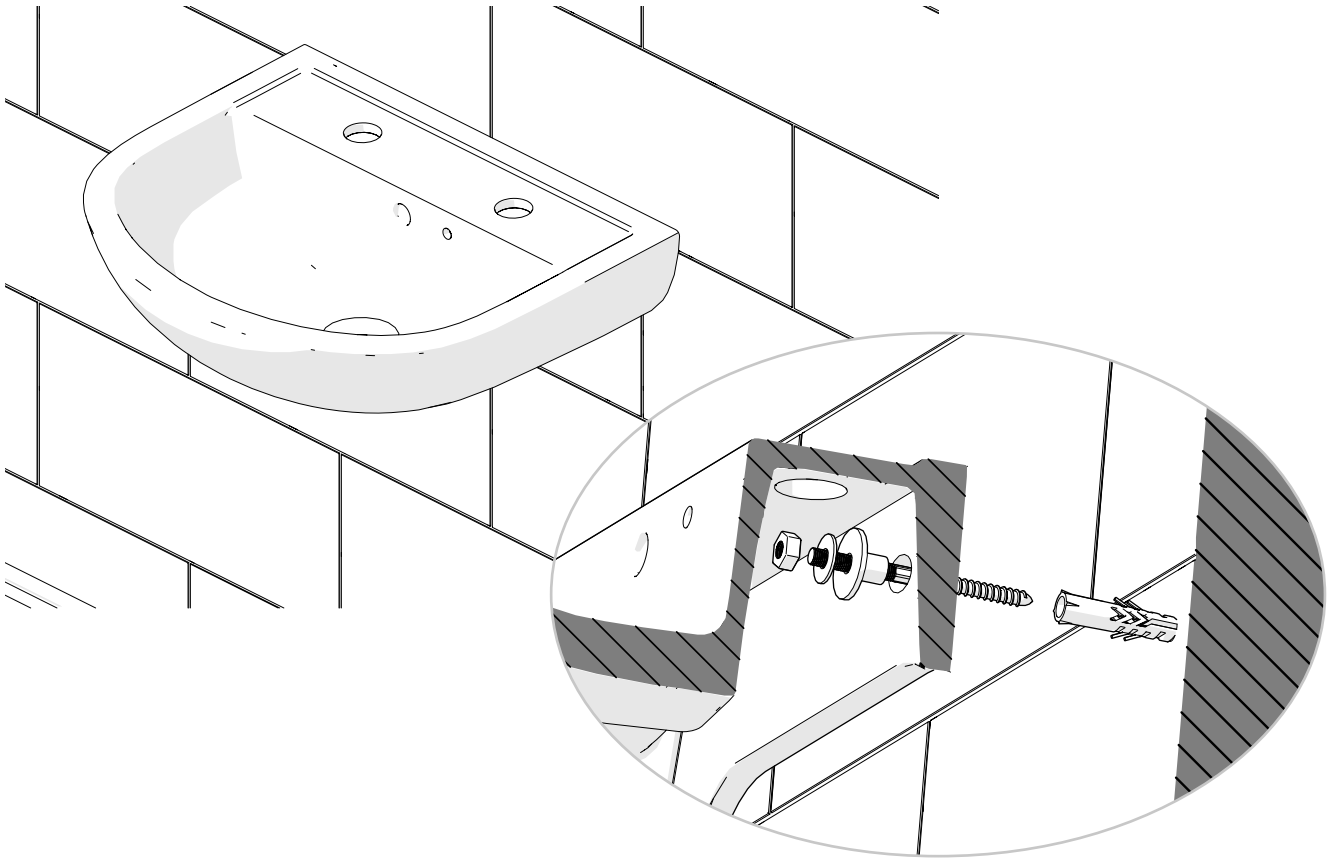
Now is probably the convenient point to do the plumbing of the tap(s) and waste pipe.

7. Lift the basin slightly and put the pedestal back into position underneath the basin.
8. Lower the basin onto the pedestal, gently moving the pedestal so that the basin is sat properly on it.
9. Tighten the nuts up to hold the basin against the wall.

*Placing some card or sheets of newspaper (or something else thin) underneath the pedestal while sliding it may be wise in order to protect the floor.

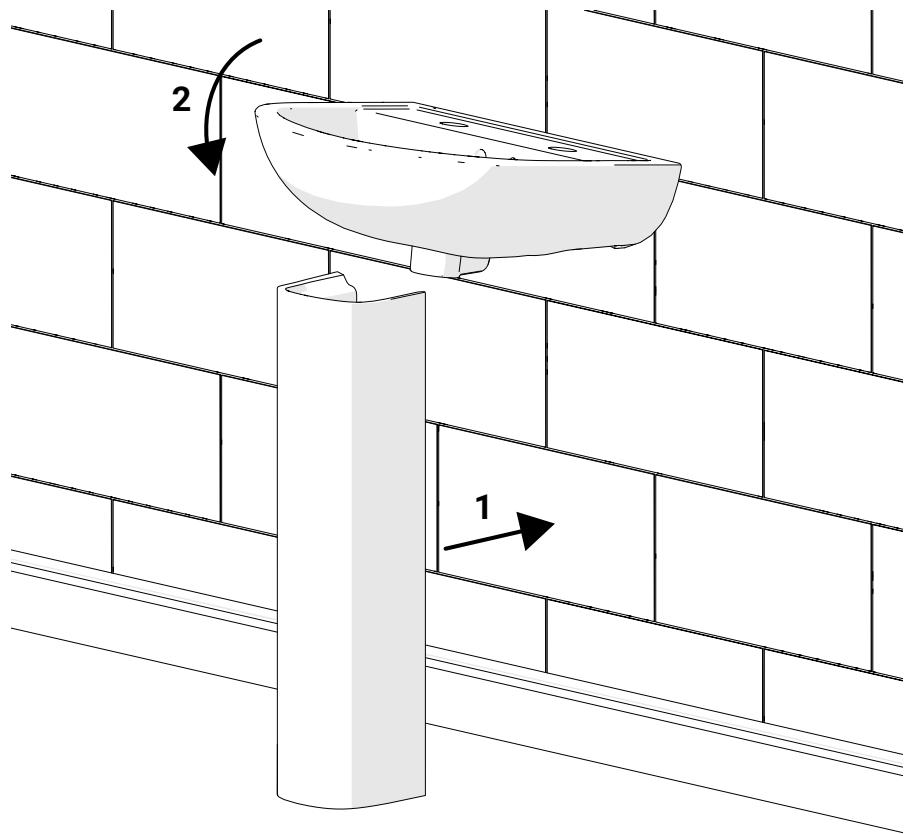
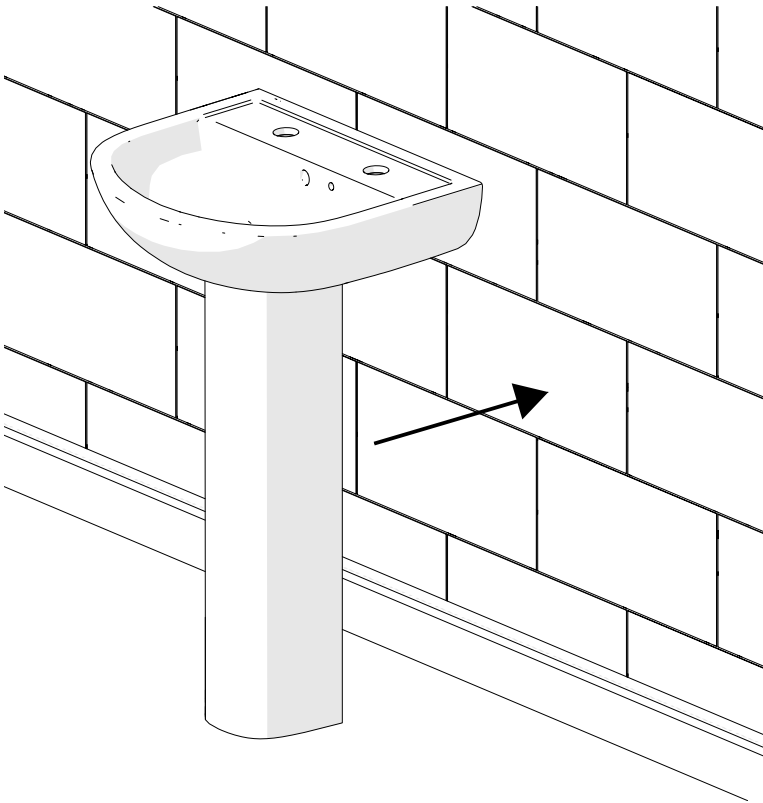
Full pedestal – cosmetic

Perform steps 1 to 5 of the semi-pedestal installation. Then slide the pedestal into place. Ensure that the basin is high enough to slide the pedestal in underneath it.



Installation

INSTALLATION



To keep the product looking fresh, a regular maintenance programme is recommended.

- Rinse off soap and water deposits and dry using a soft cloth.
- Remove hard water stains with a non-abrasive cleaner and rinse thoroughly with warm soapy water. Dry with a soft cloth.

Do not use abrasive products, strongly acidic or alkaline products, chlorine such as bleach, ammonia, caustic soda, white spirit and sterilising solutions. Leaving neat bleach or other abrasive cleaning materials in the washbasin may damage and discolour the product and will invalidate the warranty.

Note: The durability of material surfaces may be affected by the frequency of use, water hardness and the type of cleaning compounds and methods used. Such matters are outside the control of the manufacturer and are not covered by any warranty.



Contact Us

AKW[®]
Life Made Better

Orders & Quotes

01905 823 299
orders@akw-ltd.co.uk

General Enquiries

01905 823 298
sales@akw-ltd.co.uk

Technical Enquiries

01905 560 219
tech@akw-ltd.co.uk

Kitchen Enquiries

01905 823 262
kitchens@akw-ltd.co.uk

Fax

01905 823 297

AKW

Pointon Way, Hampton Lovett
Droitwich Spa, WR9 0LR

www.akw-ltd.co.uk
orders.akw-ltd.co.uk

Follow us on Social:



Warranty

Warranty applies only to manufacturing or material defects, conditional on the one-time correct installation of the product. It does not apply to:

- Inappropriate use or accidental damage.
- Damage or defects that result from incorrect installation.
- Lack of maintenance including the build up of grime or damage resulting from inappropriate cleaning.
- Damage or defects that result from repairs or modifications undertaken by unauthorised persons.
- General wear and tear through usage and does not apply to surface finishes.

Warranty period starts from the date of installation. See the T&Cs on our website for further information.

Select 1 of 2 ways to activate your warranty



1. Scan using your Smart Device



2. Visit Online

akw-ltd.co.uk/warranty-information

What to do if something goes wrong?

In the event that you encounter a problem with this product, follow the trouble shooting guide if applicable, then contact your local installer. If the issue is still unresolved, contact AKW Technical Enquiries who will provide further advice and arrange for a maintenance engineer to visit if necessary. None of the foregoing affects your statutory rights.