

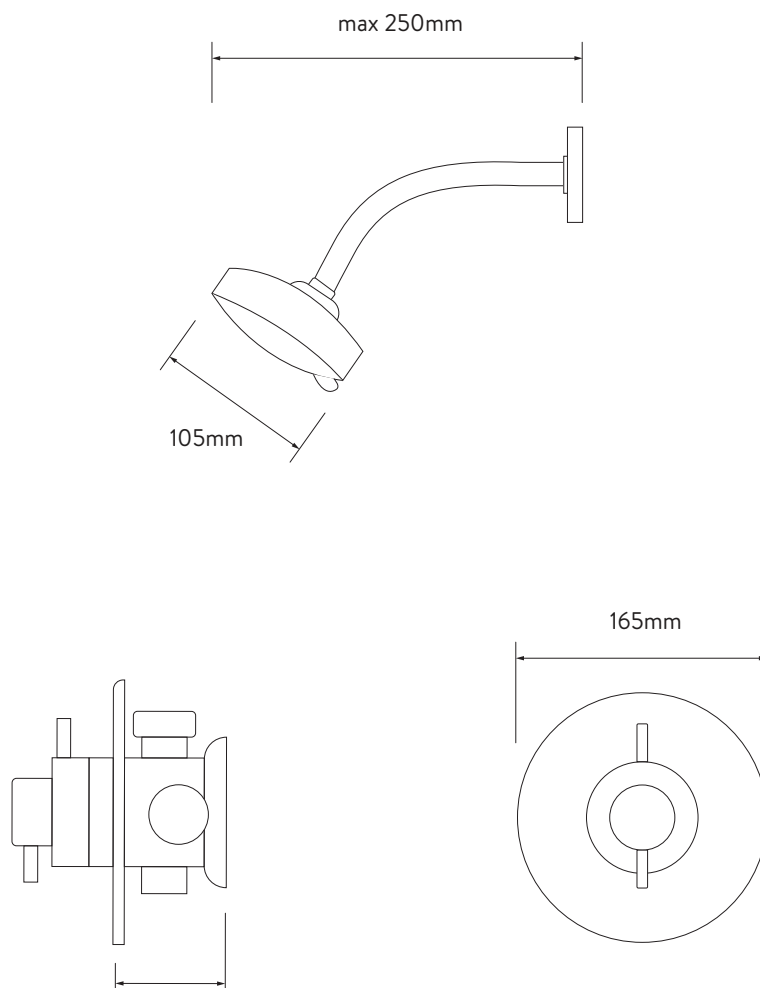
AQUALISA

ASP001CF

ASPIRE™ DL CONCEALED MIXER SHOWER

WITH FIXED WALL HEAD

DIMENSIONAL DRAWINGS



65mm min, 70mm max from back face
of valve to finished / tiled wall surface
(10mm allowance for tiles)

AQUALISA

ASP001CF

ASPIRE™ DL CONCEALED MIXER SHOWER

WITH FIXED WALL HEAD

TECHNICAL SPECIFICATIONS

MINIMUM PRESSURE REQUIREMENTS	0.1 bar
MAXIMUM PRESSURE REQUIREMENTS	10 bar (Static)
INLET FITTING CONNECTIONS	15mm compression
INLET SUPPLY POSITIONS	Hot/left, cold/right
OUTLET CONNECTIONS	15mm compression
VALVE INLET CENTRES	145mm
SUPPLY TEMPERATURE	5 - 20°C Cold Supply 55 - 65°C Hot Supply
WATER SYSTEM	Gravity, Boosted Gravity, Combi and Balanced High Pressure
FEATURES	All-metal valve
	Dual lever controls for water flow and temperature
	105mm Harmony shower head
	Eco-spray setting can deliver water savings of up to 25% without compromising the showering experience
	4 spray patterns including an eco-spray setting
COLOUR	Chrome
GUARANTEE PERIOD	Valve – 5 year guarantee
	Head and Kit – 2 year guarantee
APPROVALS	CE Marking