

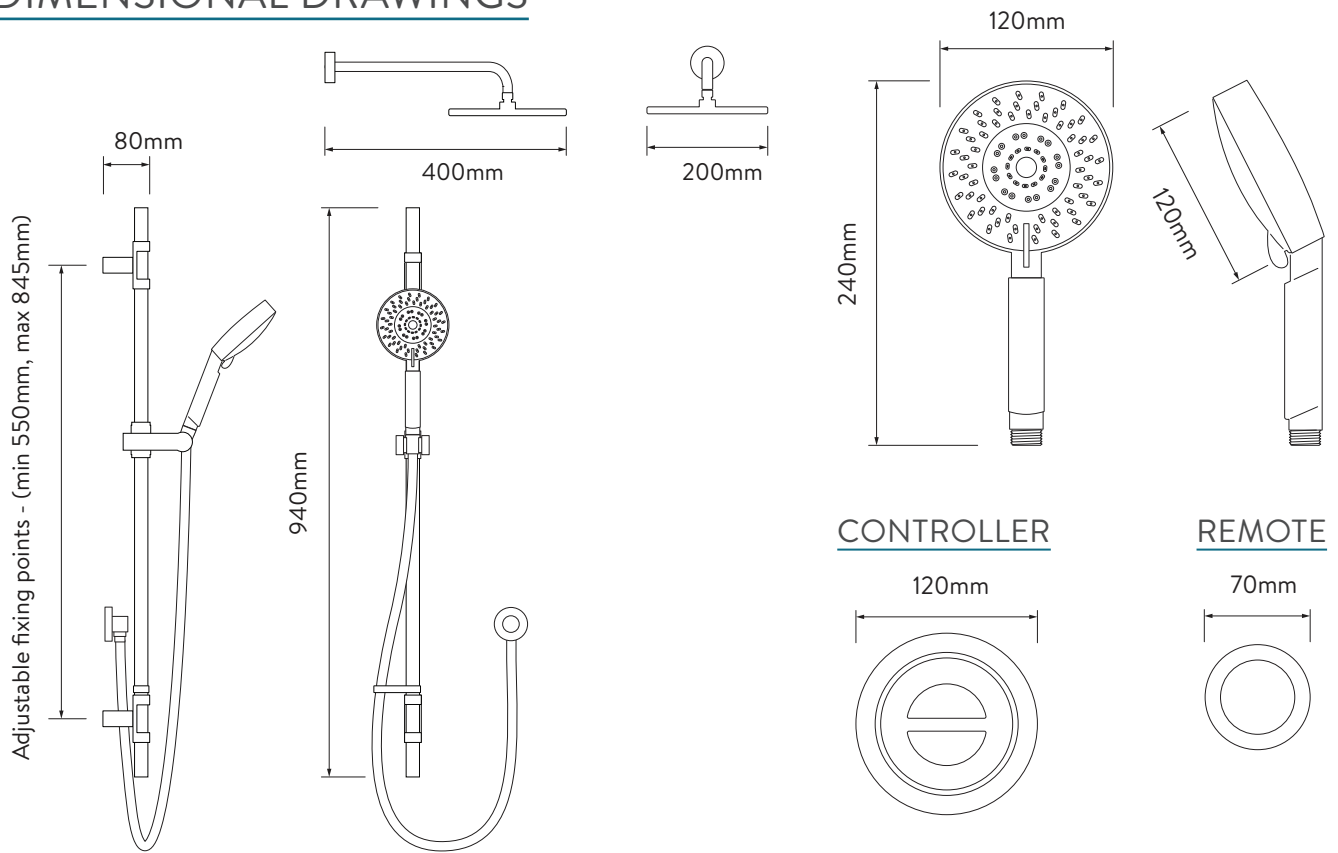
AQUALISA



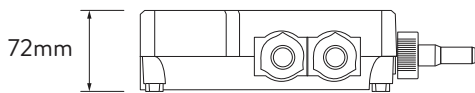
RISE™ SMART DUAL OUTLET CONCEALED

WITH ADJUSTABLE HEAD, WALL MOUNTED
DRENCHER AND REMOTE CONTROL - HP/COMBI

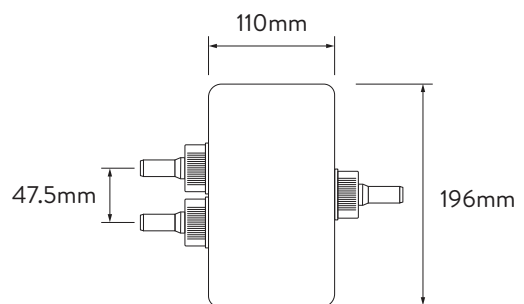
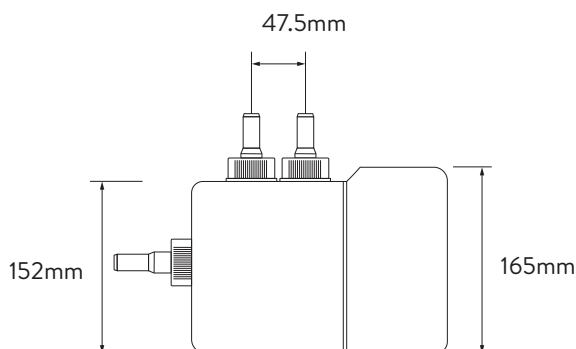
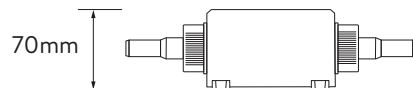
DIMENSIONAL DRAWINGS



PROCESSOR



DIVERTER



RISE™ SMART DUAL OUTLET CONCEALED

WITH ADJUSTABLE HEAD, WALL MOUNTED
DRENCHER AND REMOTE CONTROL - HP/COMBI

TECHNICAL SPECIFICATIONS

MINIMUM PRESSURE REQUIREMENTS	1 bar
MAXIMUM PRESSURE REQUIREMENTS	7 bar
QUARTZ SMART VALVE INLET FITTING CONNECTIONS	15mm push fit fittings
QUARTZ SMART VALVE OUTLET FITTING CONNECTION	15mm push fit fittings
PERMISSIBLE QUARTZ SMART VALVE SITTING LOCATION	Loft, airing cupboard, under bath
INLET SUPPLY TEMPERATURE SETTINGS	Minimum cold inlet temperature 1°C, maximum cold inlet temperature 15°C, maximum hot inlet temperature 65°C
BLENDED OUTLET TEMPERATURE SETTINGS	Factory mid set blend temperature 45°C, adjustable temperature setting – minimum 35°C, maximum 55°C
ELECTRICAL REQUIREMENTS - QUARTZ SMART VALVE TO MAINS	Switched fused spur 3amp, processor main cable length 2m, required voltage 230 – 240V
ELECTRICAL REQUIREMENTS - CONTROLLER TO QUARTZ SMART VALVE	Low voltage data cable length 10m
ELECTRICAL REQUIREMENTS - DIVERTER TO QUARTZ SMART VALVE	Low voltage data cable length 2m
DATA CABLE REQUIREMENTS	Data cable voltage 5V
WATER SYSTEM	HP / Combi
	One touch control
	Digital diverter technology
	Water saving warm up, pause and pre-set shower timer
	LED display
	Remote control
	Choice of adjustable, drencher and hand shower heads
	5 spray adjustable shower head with massage function
APPROVALS	CE Marking
	BEAB
	TMV2
GUARANTEE PERIOD	5 years