

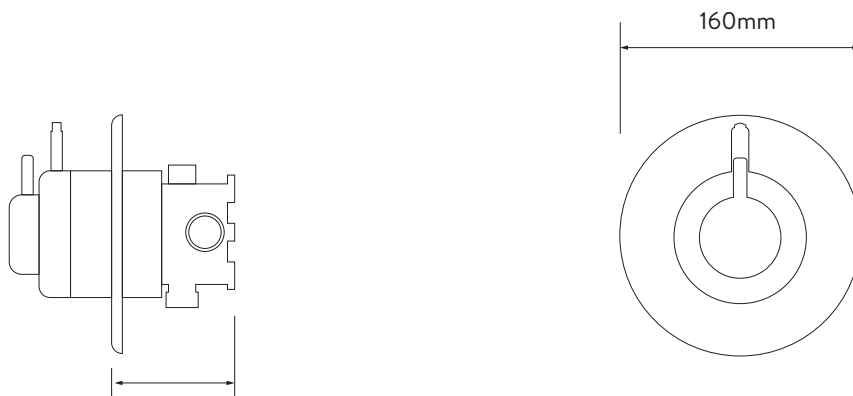
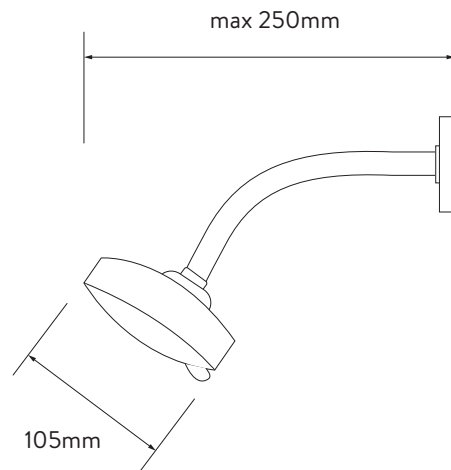
AQUALISA

DRM001CF

DREAM™ CONCEALED MIXER SHOWER

WITH FIXED WALL HEAD

DIMENSIONAL DRAWINGS



160mm min, 100mm max
from back face of valve to
finish / tiled wall surface
(10mm allowance for tiles)

AQUALISA

DRM001CF

DREAM™ CONCEALED MIXER SHOWER

WITH FIXED WALL HEAD

TECHNICAL SPECIFICATIONS

MINIMUM PRESSURE REQUIREMENTS	0.1 bar
MAXIMUM PRESSURE REQUIREMENTS	10 bar
INLET FITTING CONNECTIONS	15mm compression
INLET SUPPLY POSITIONS	Hot/left, cold/right
OUTLET CONNECTIONS	15mm push fit
VALVE INLET CENTRES	150mm
SUPPLY TEMPERATURE	5 - 20°C Cold Supply 55 - 65°C Hot Supply
WATER SYSTEM	Gravity, Boosted Gravity, Combi and Balanced High Pressure
FEATURES	Quality metal controls
	Separate on/off and temperature control levers
	105mm Harmony shower head
	Eco-spray setting can deliver water savings of up to 25%
	Temperature override button
	4 spray patterns including an eco-spray setting
COLOUR	Chrome
GUARANTEE PERIOD	5-year guarantee (valve)
	2-year guarantee (head and kit)