

[1]



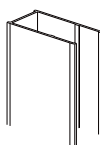
X1

[2]



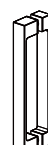
X1

[3]



X1

[4]



X1

[5]



3.5X32

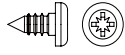
X3

[6]



X7

[7]



ST3.5X9.5

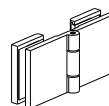
X3

[8]



X3

[9]



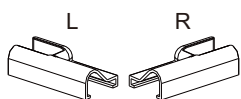
X2

[10]



X1

[11]



X1

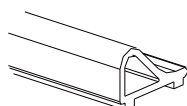
X1

[12]



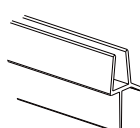
X1

[13]



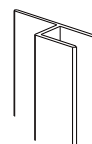
X1

[14]



X1

[15]



X1

[16]



X1

[17]



X1



X1

[18]



ST3.5X32

X1

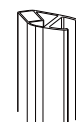
[19]



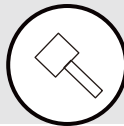
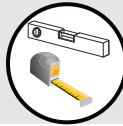
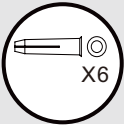
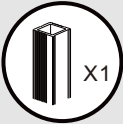
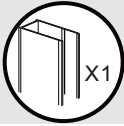
ST3.5X35

X3

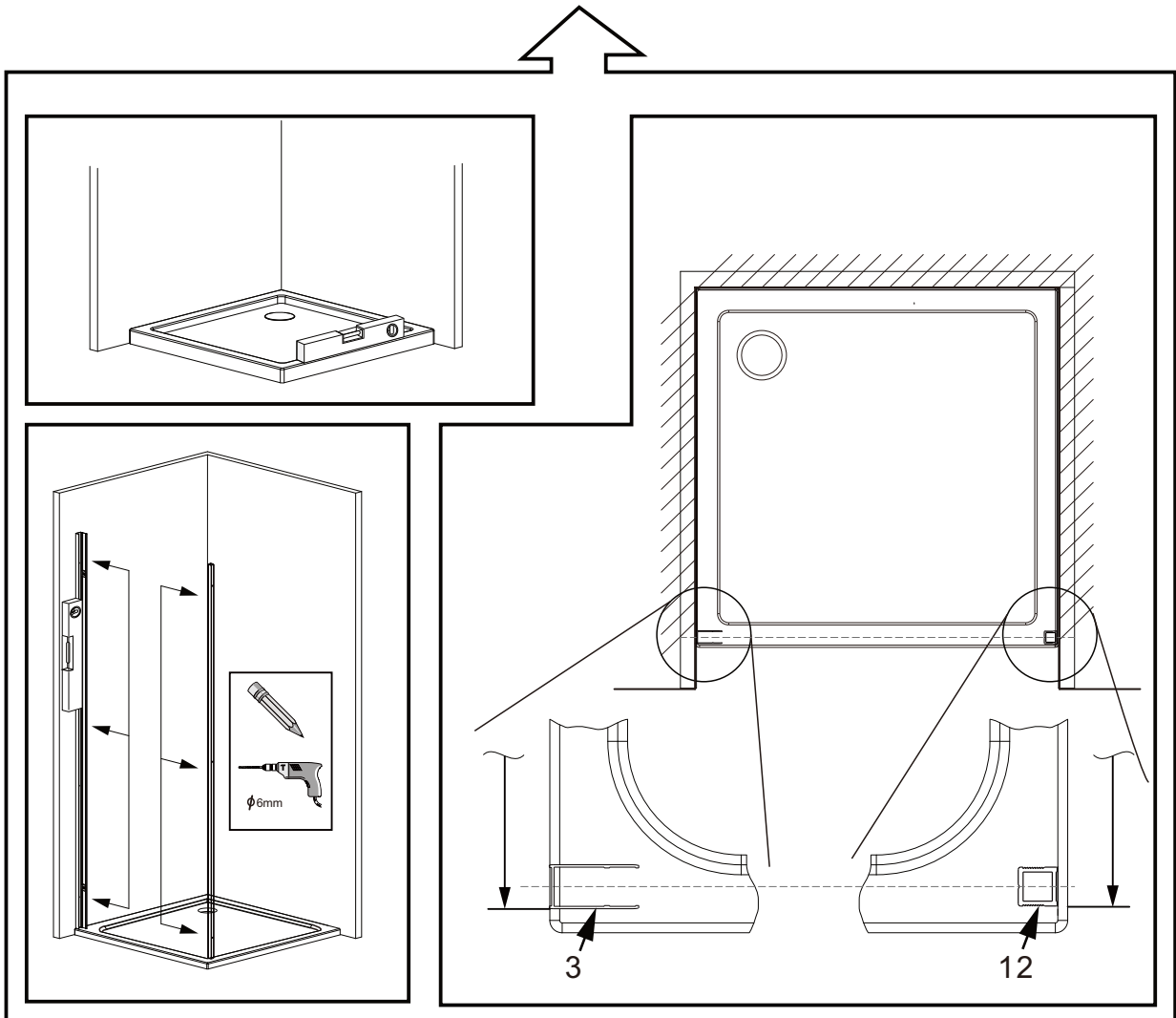
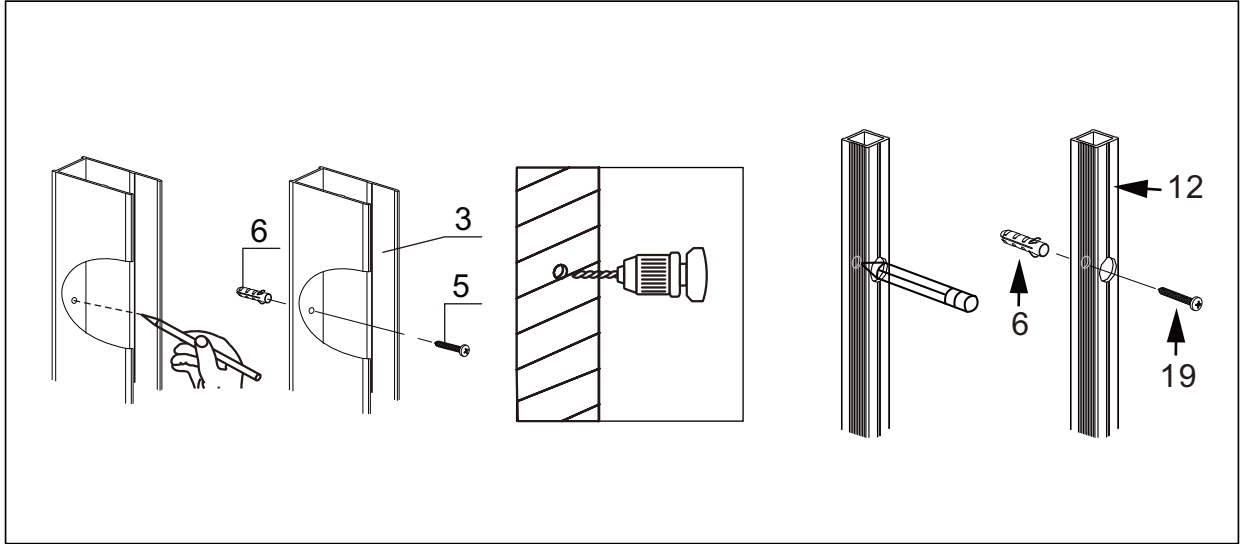
[20]

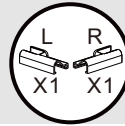
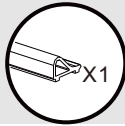
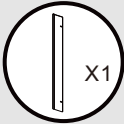


X1

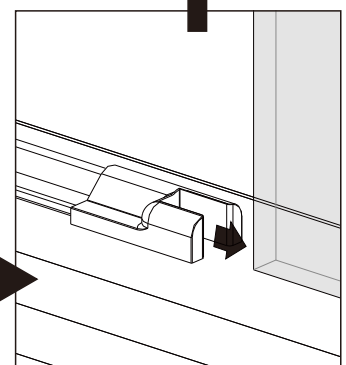
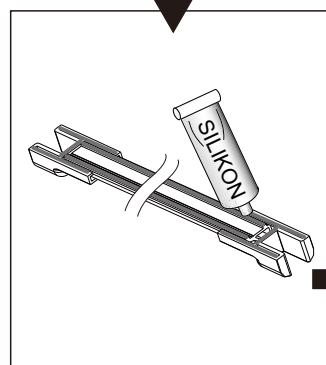
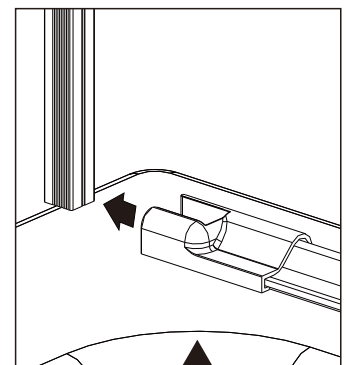
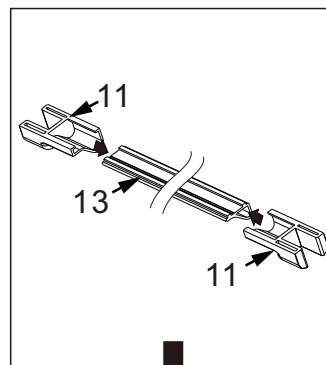
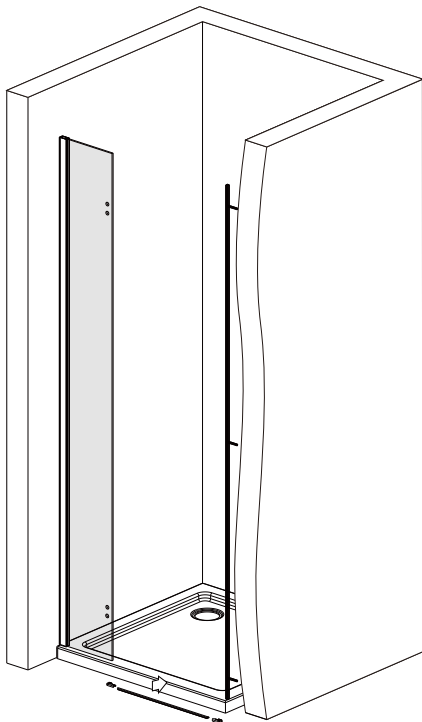
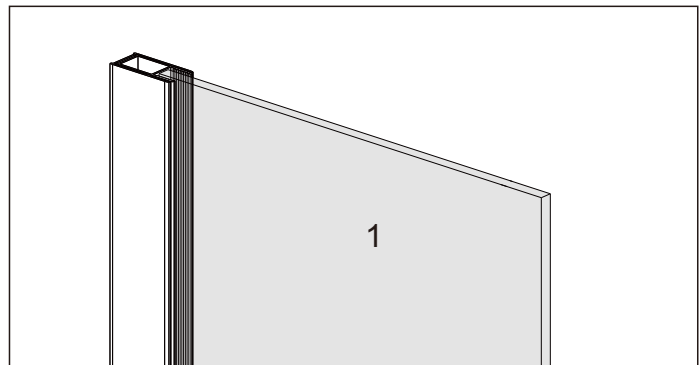
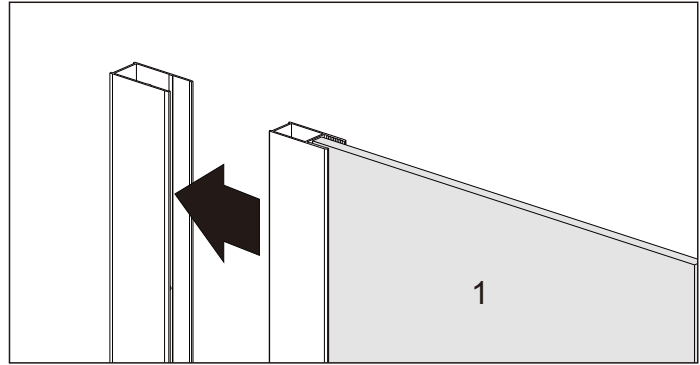
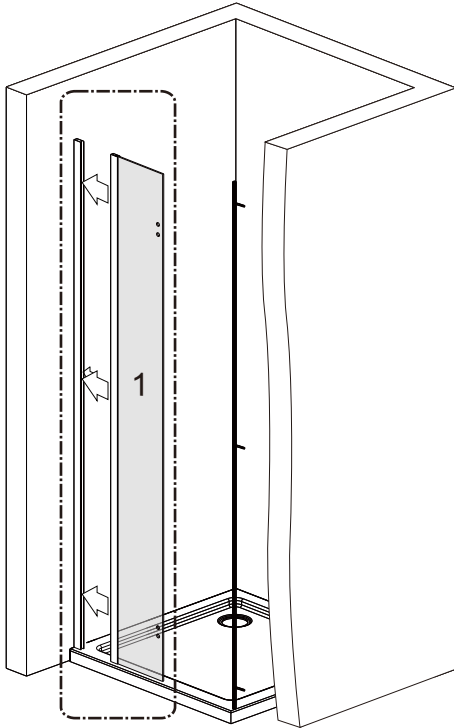


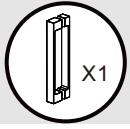
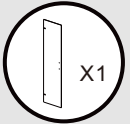
1



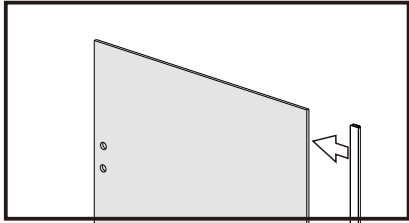


2

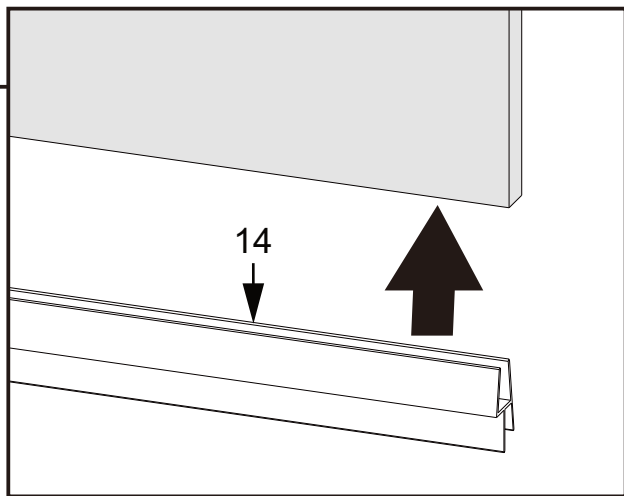
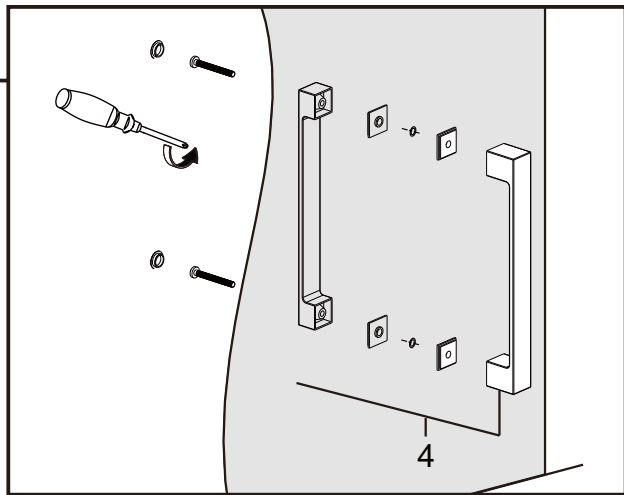
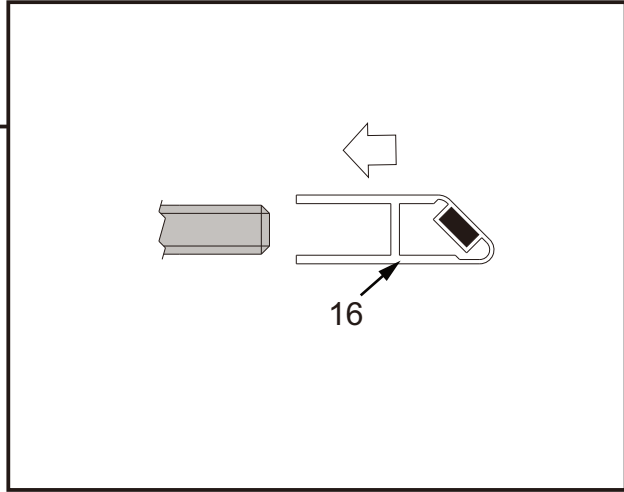
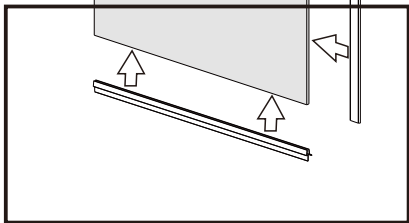
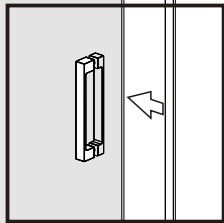


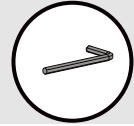
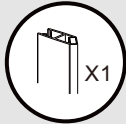
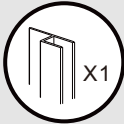
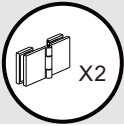


3

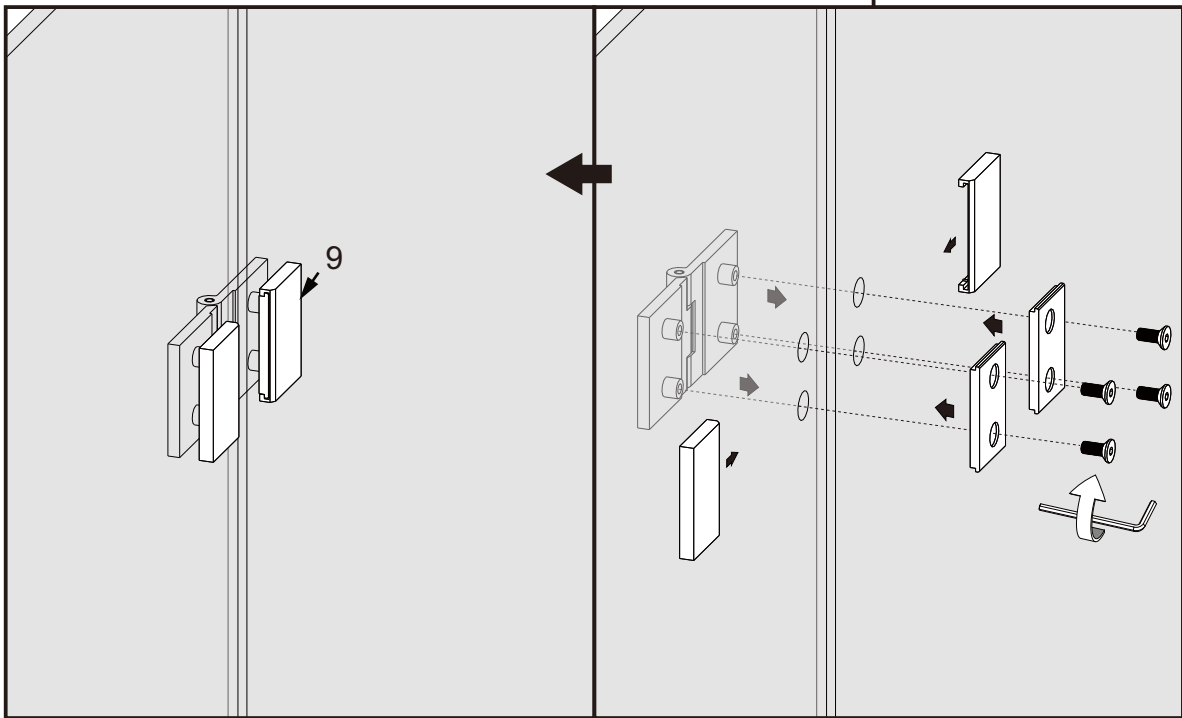
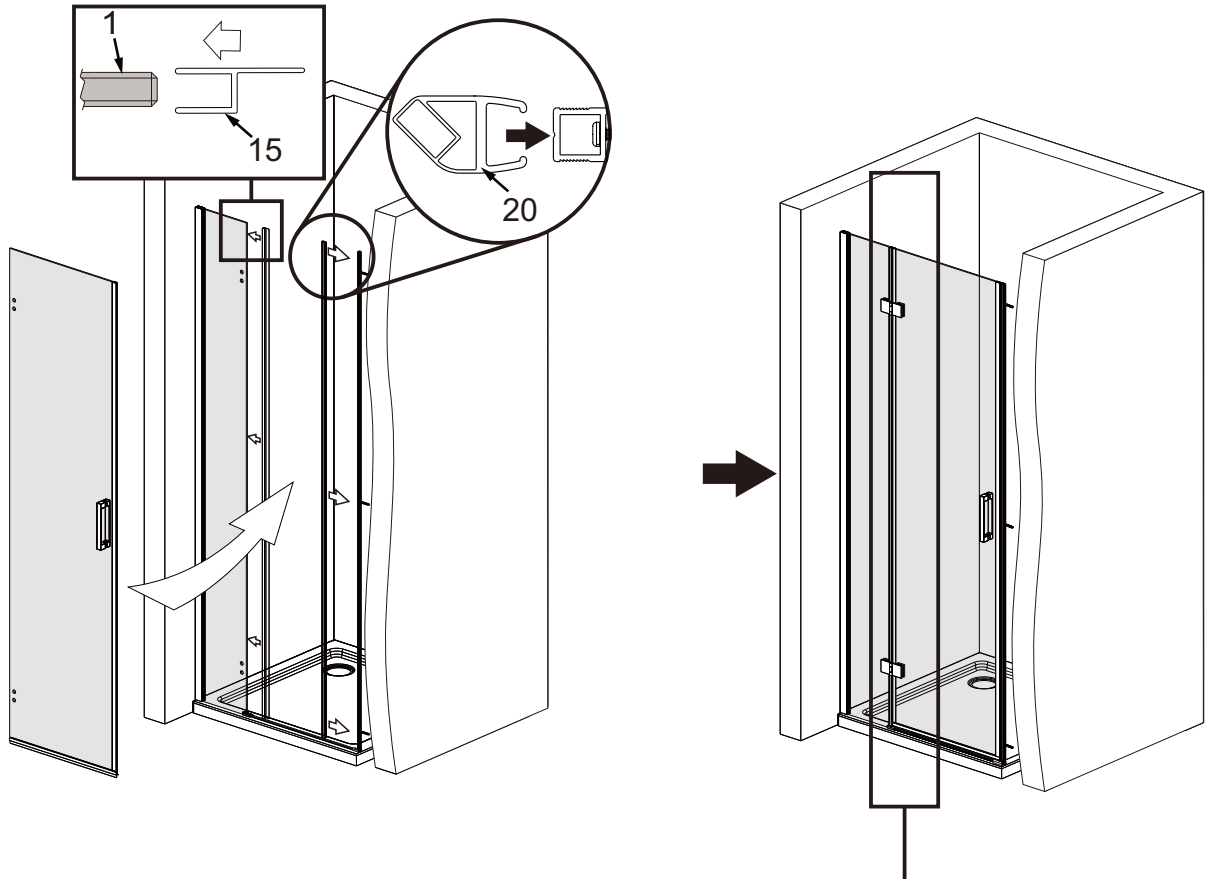


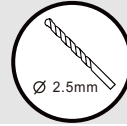
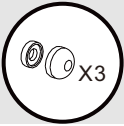
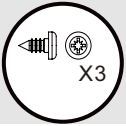
2



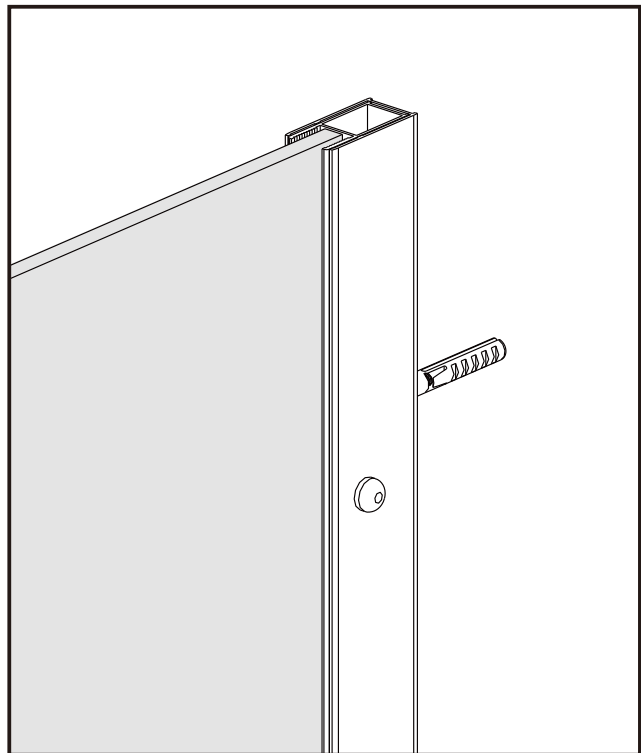
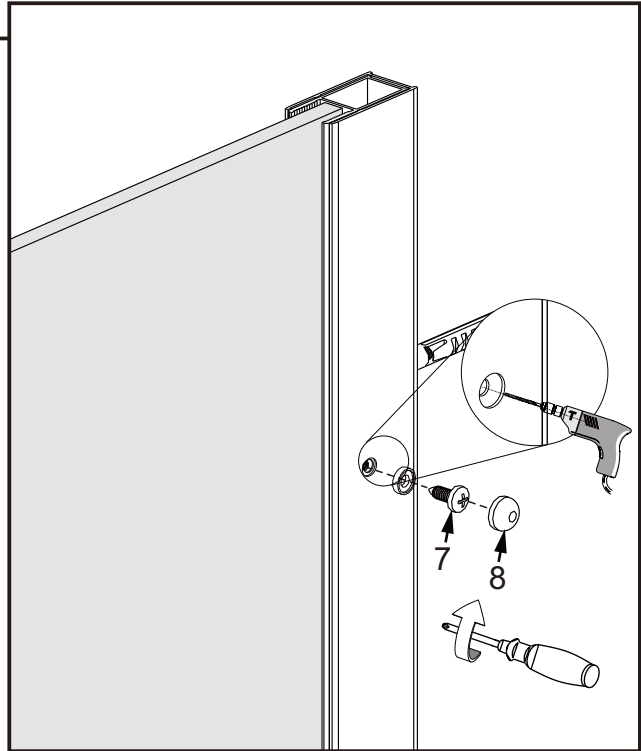
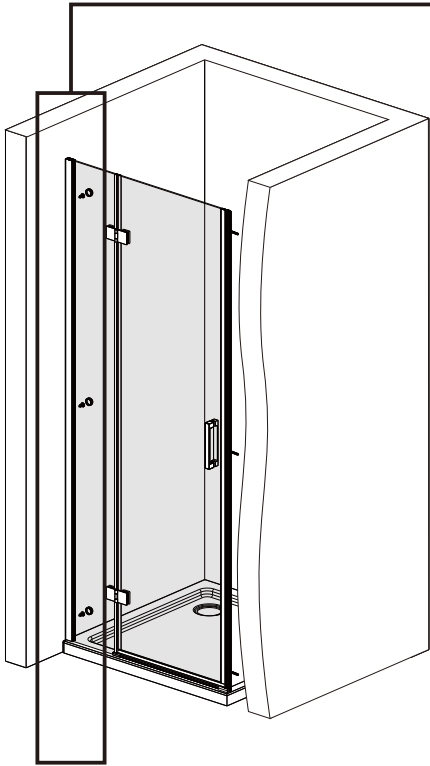


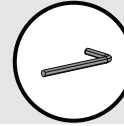
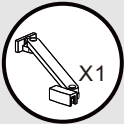
4



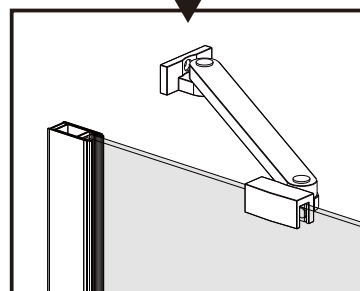
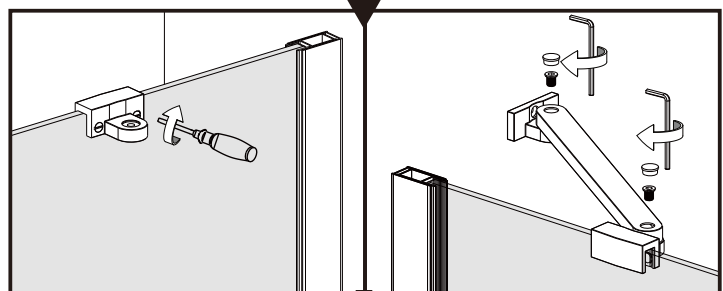
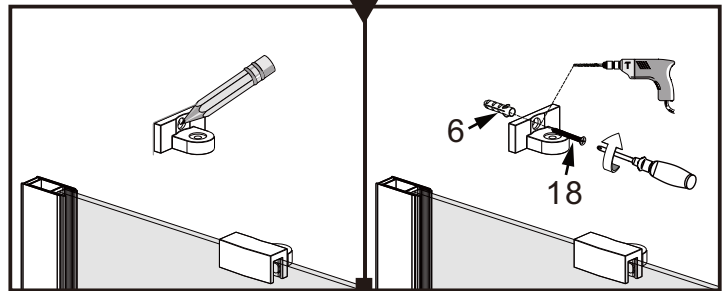
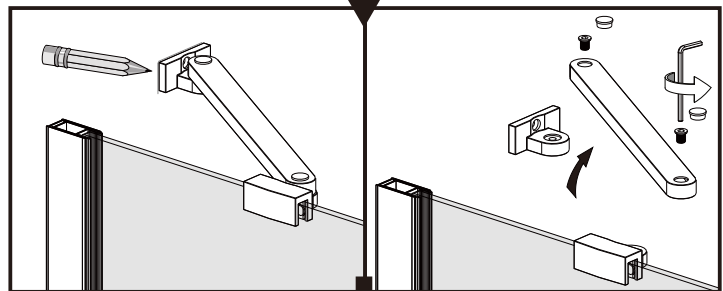
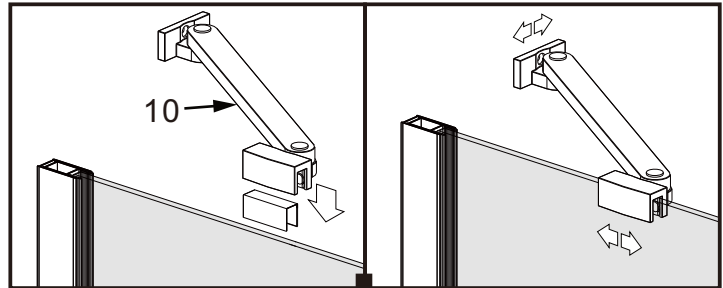
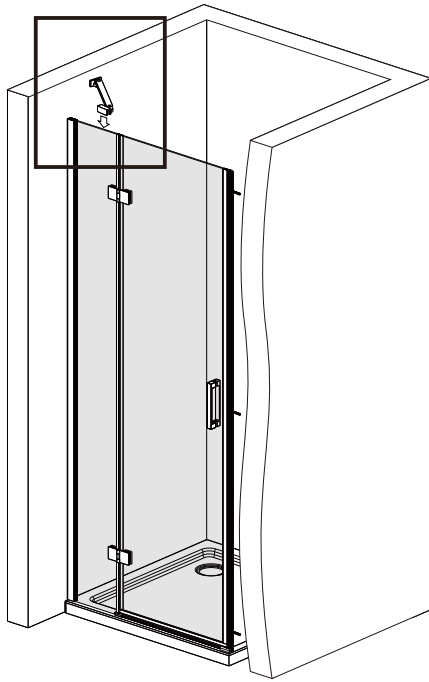


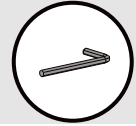
5



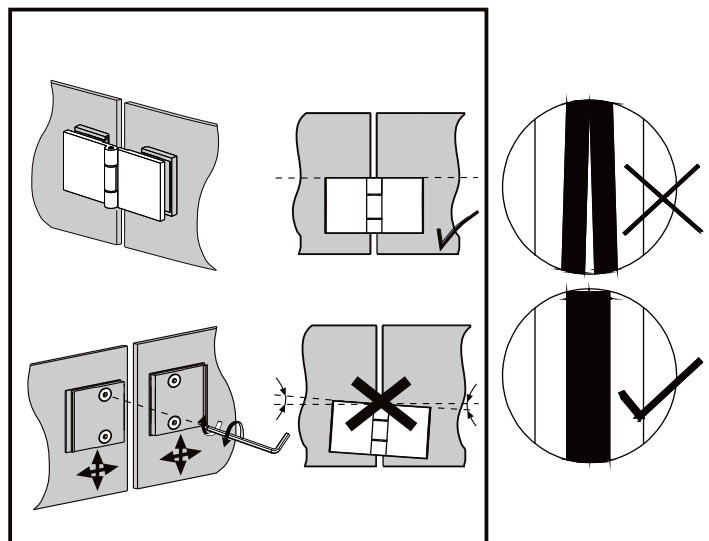
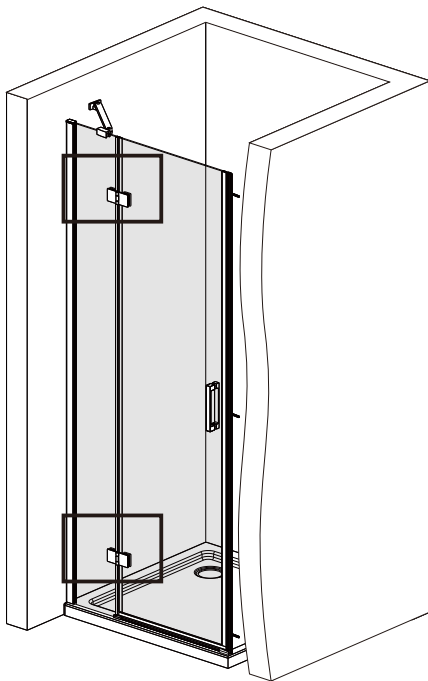
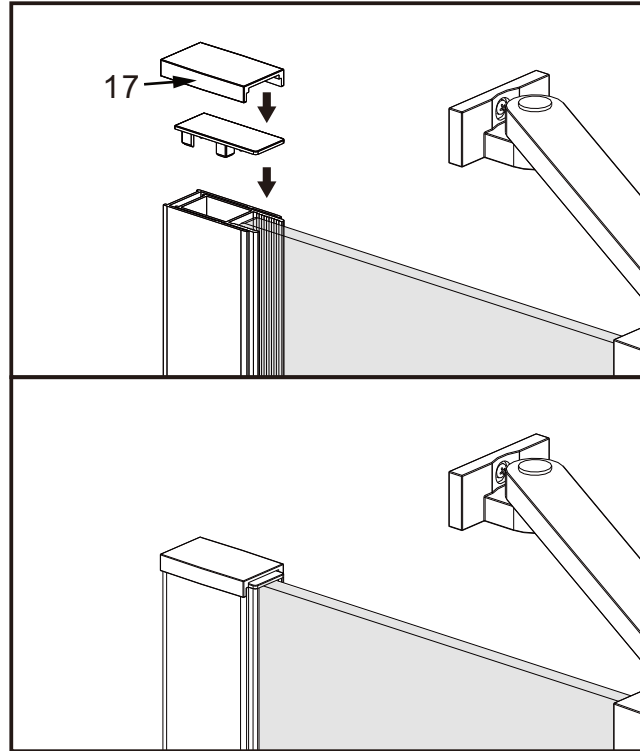
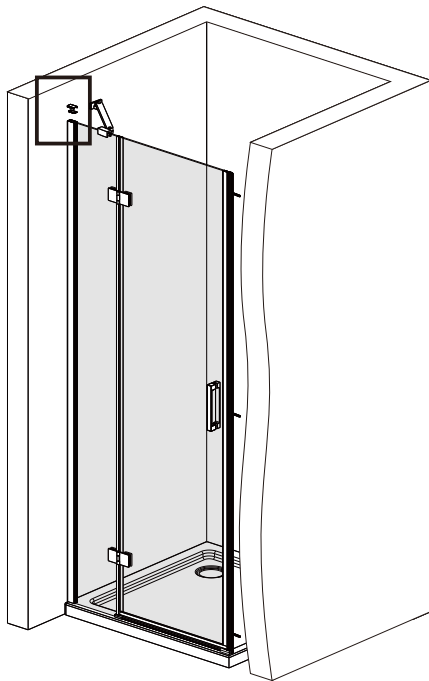


6



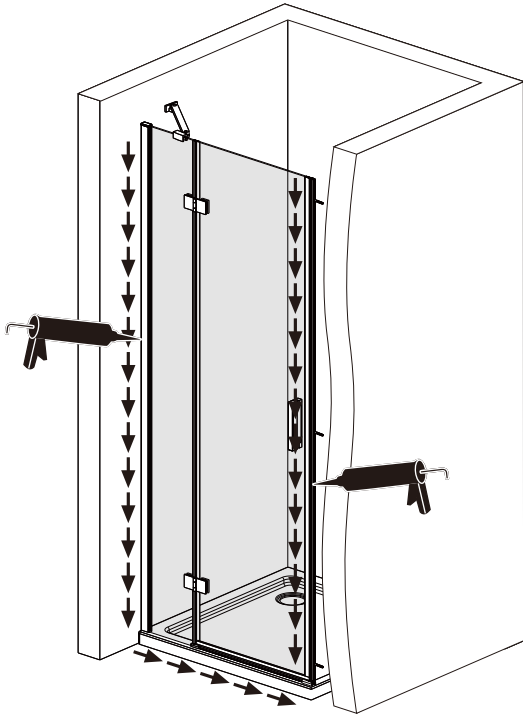


7

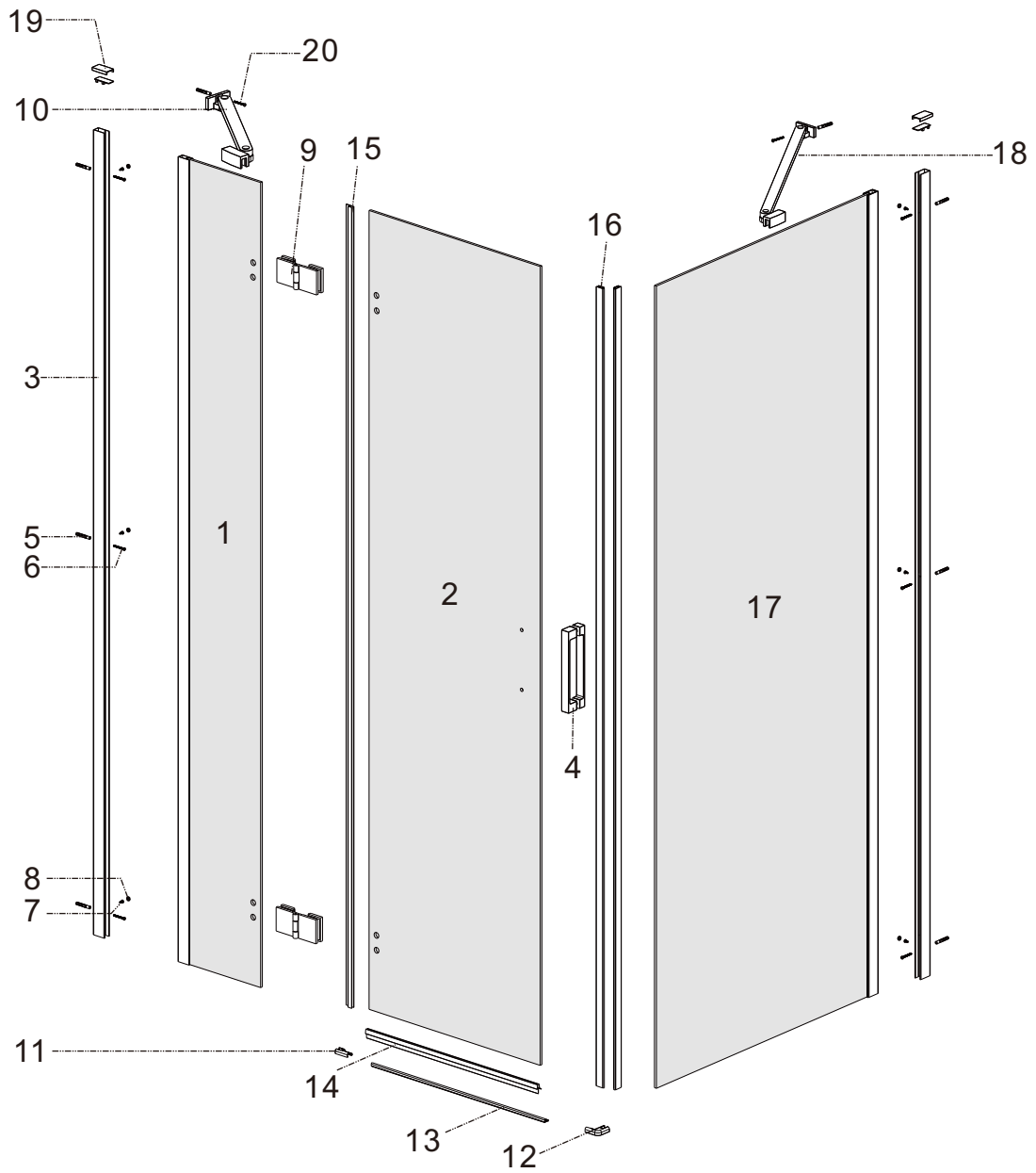


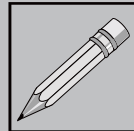
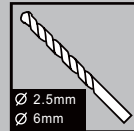
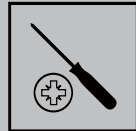
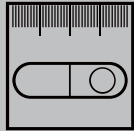


8



VERSION 2





[1]



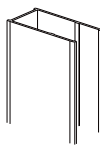
X1

[2]



X1

[3]



X2

[4]



X1

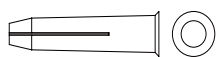
[5]



ST3.5X32

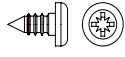
X6

[6]



X8

[7]



ST3.5X9.5

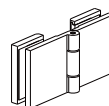
X6

[8]



X6

[9]



X2

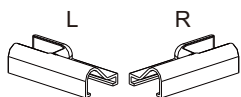
[10]



200mm

X1

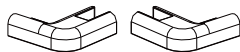
[11]



X1

X1

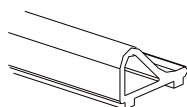
[12]



X1

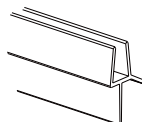
X1

[13]



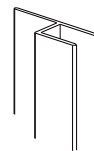
X1

[14]



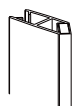
X1

[15]



X1

[16]



X2

[17]



X1

[18]



X1

[19]



X2



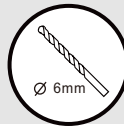
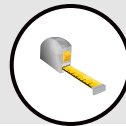
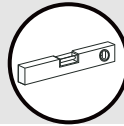
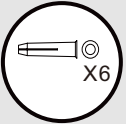
X2

[20]

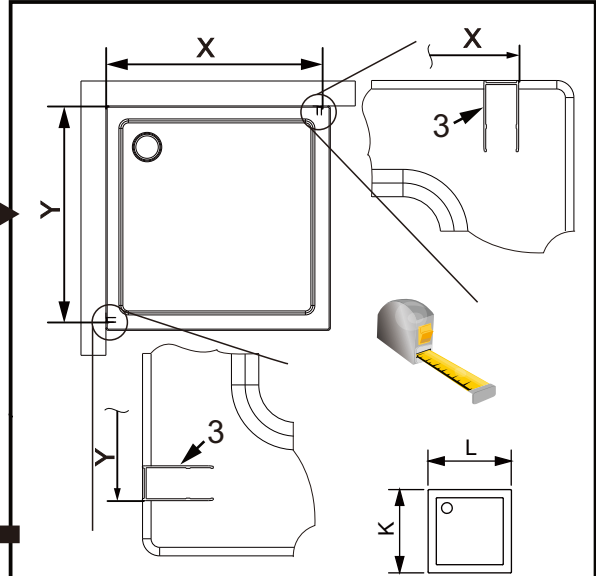
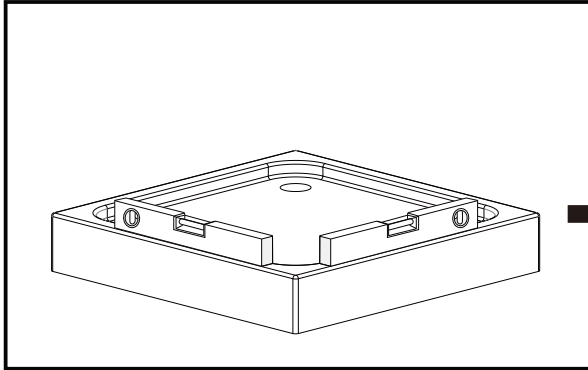


ST3.5X32

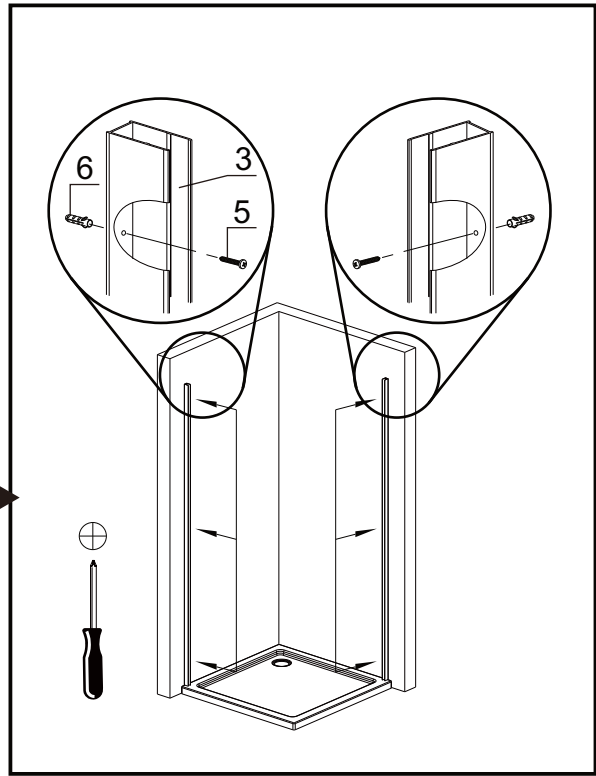
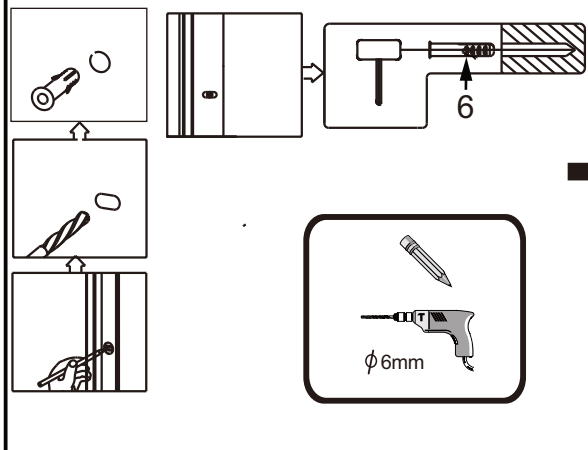
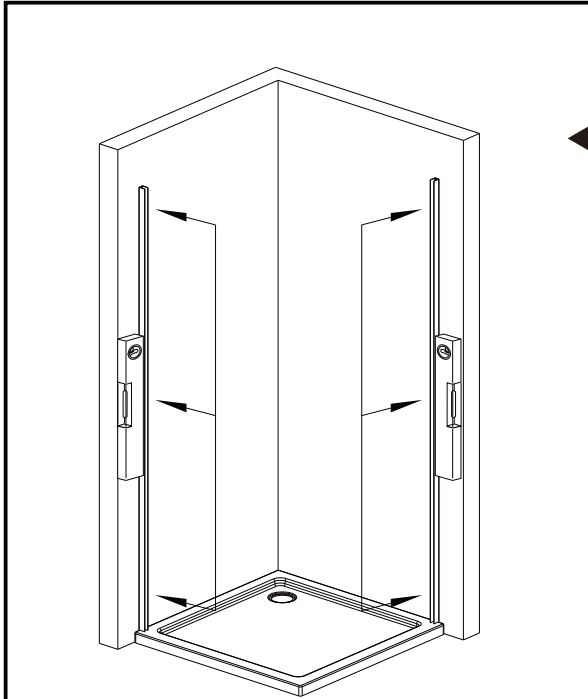
X2

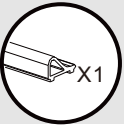
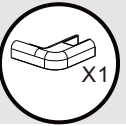
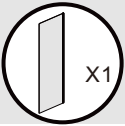
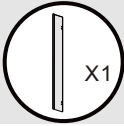


1

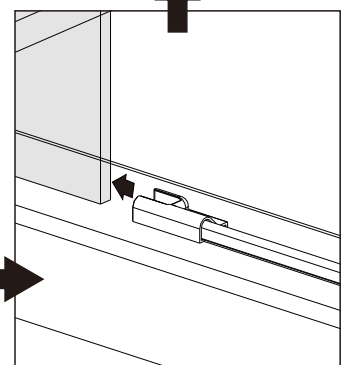
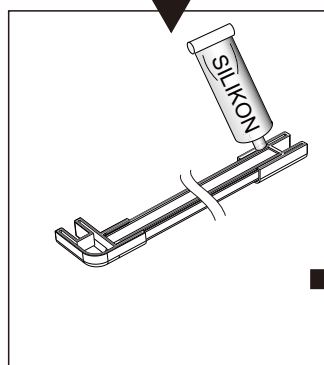
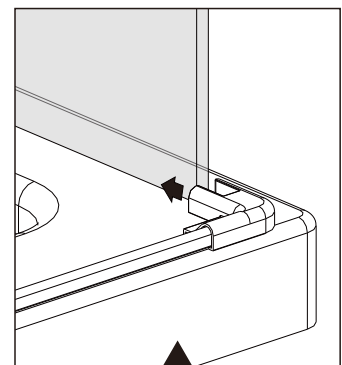
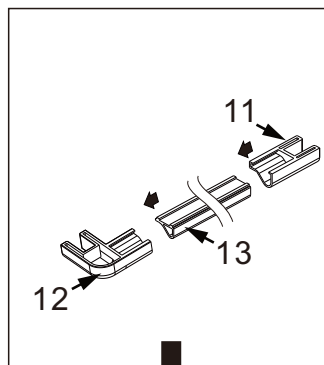
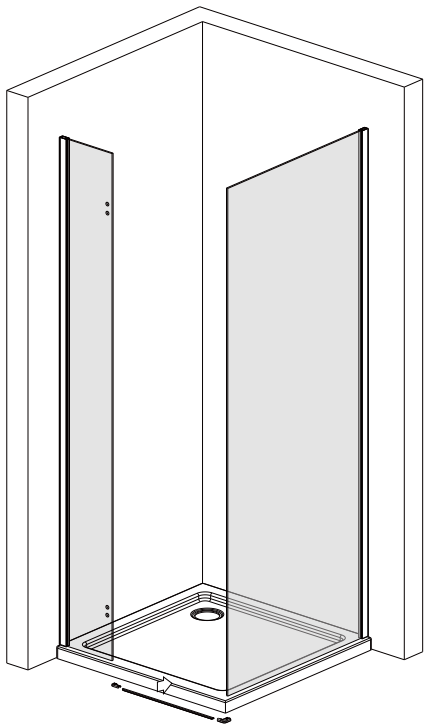
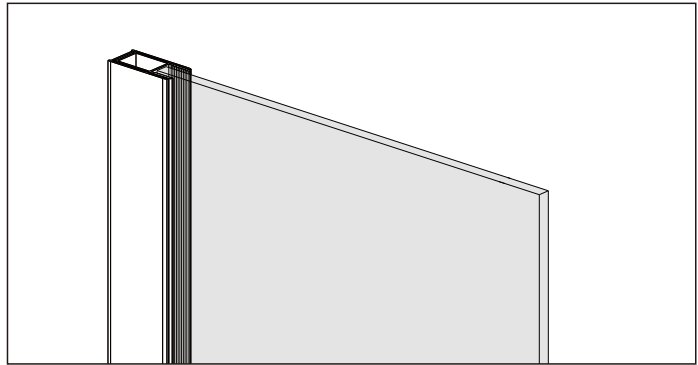
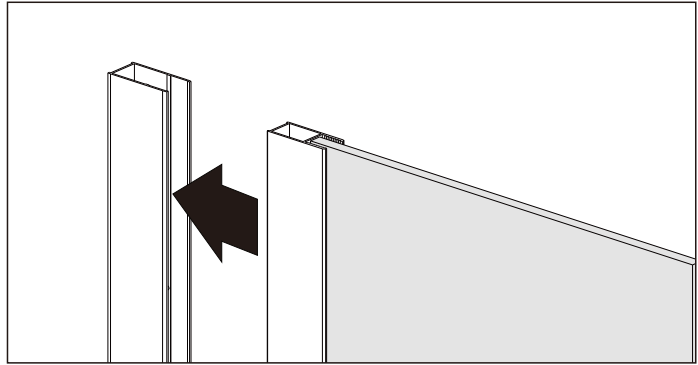
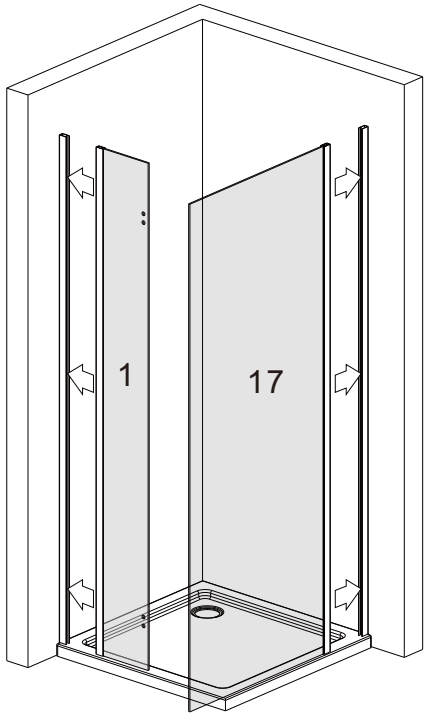


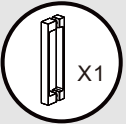
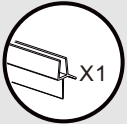
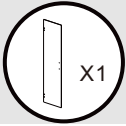
K/L	760/760	800/800	900/900	1000/1000
X	740-755*	780-795*	880-895*	980-995*
Y	740-755*	780-795*	880-895*	980-995*



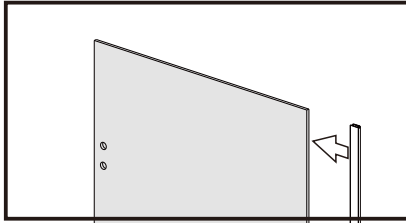


2

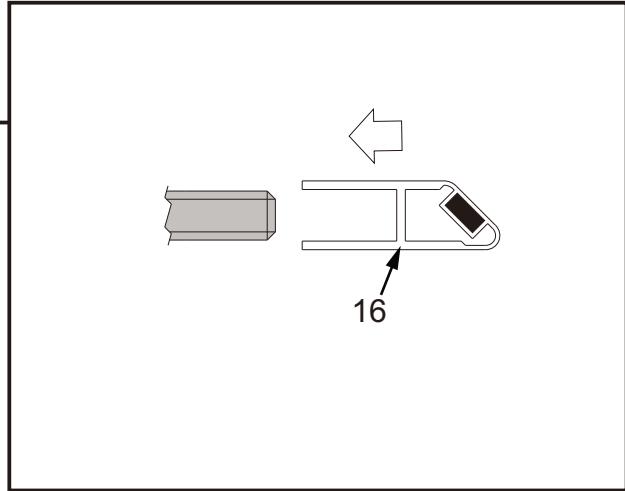
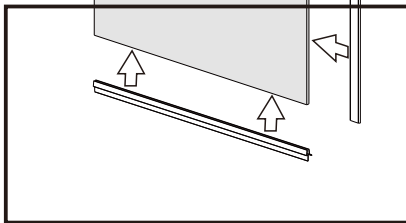
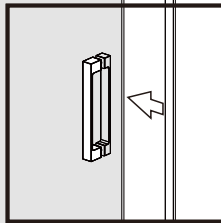




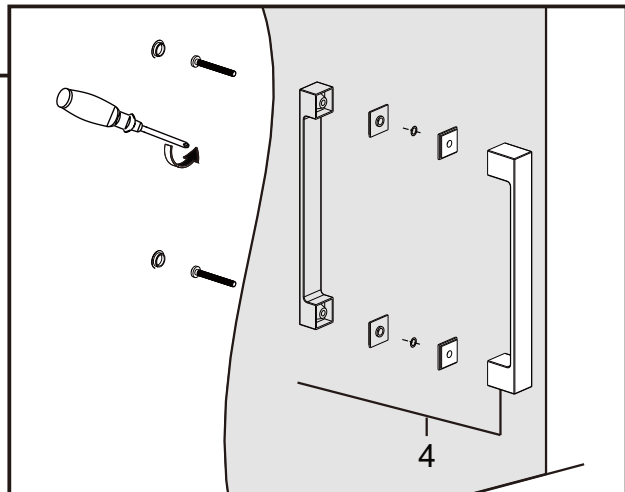
3



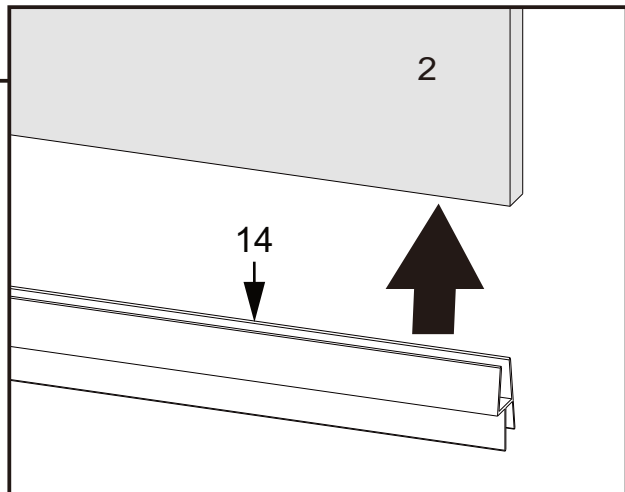
2



16

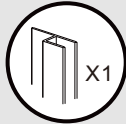
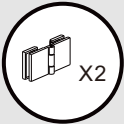


4

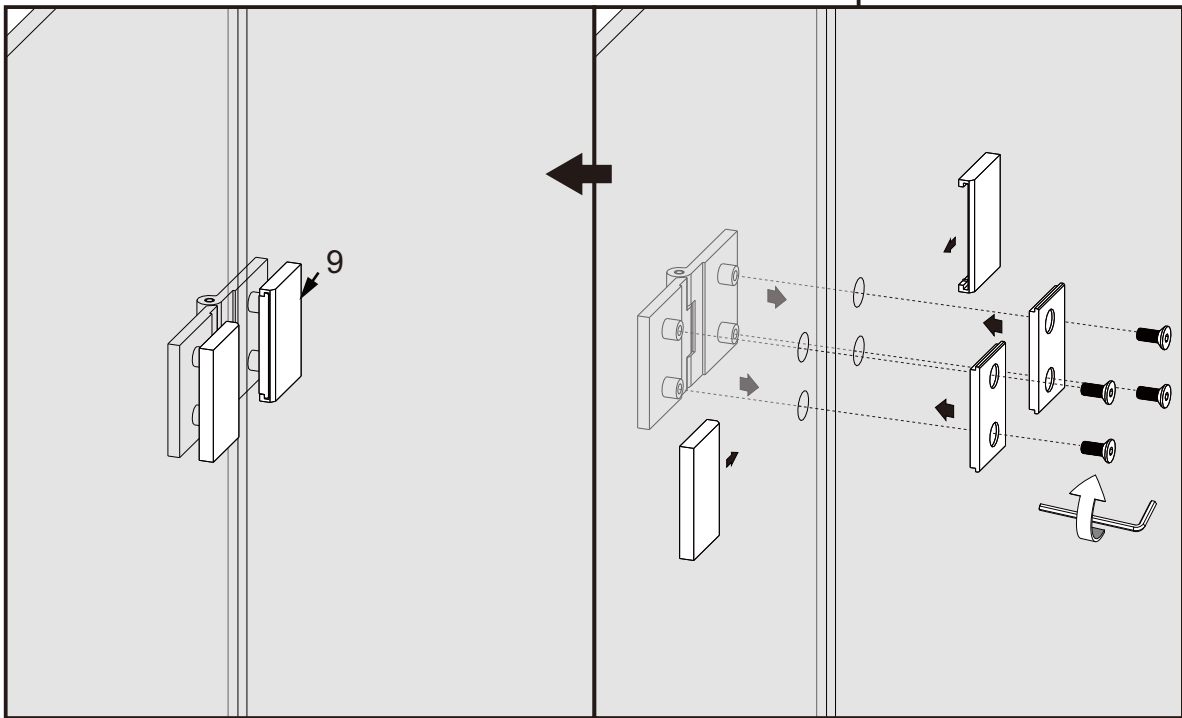
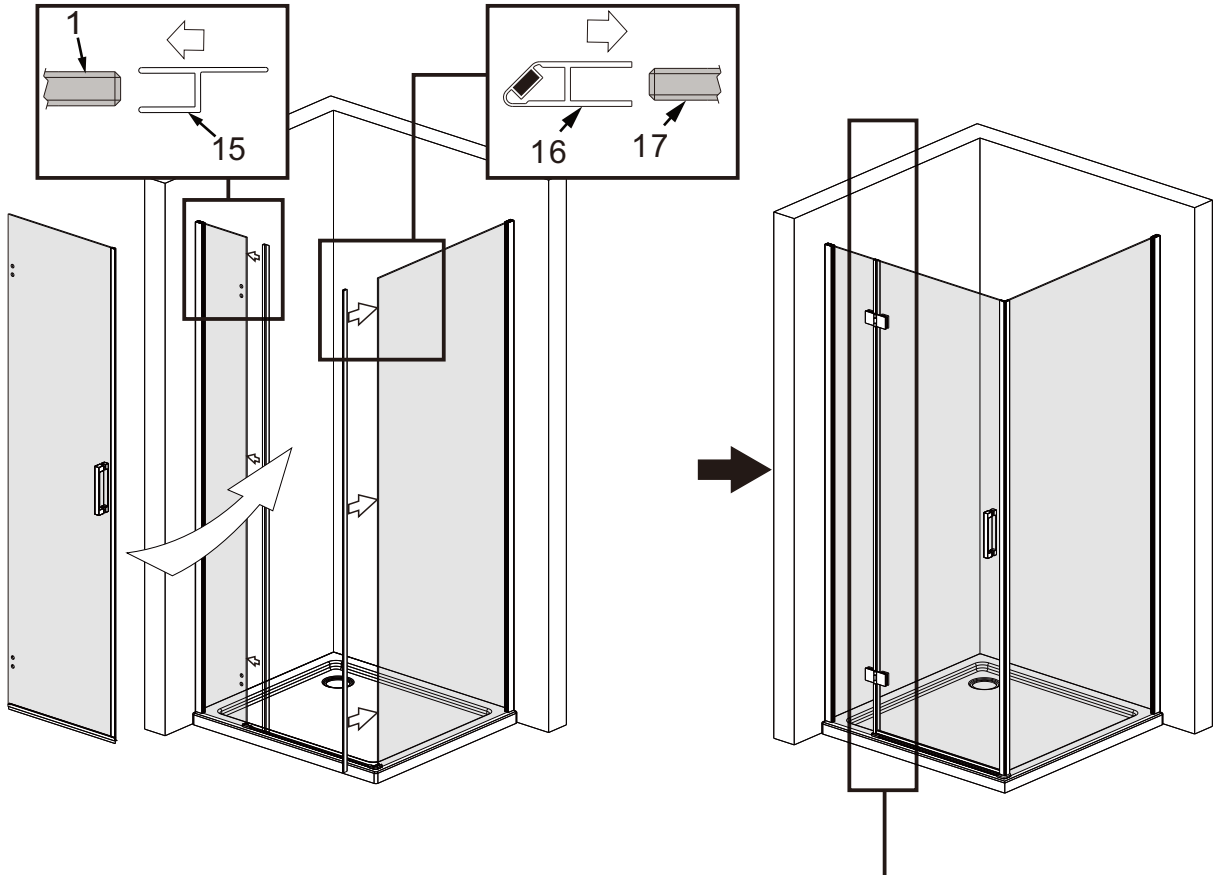


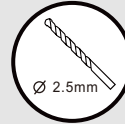
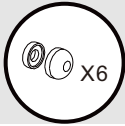
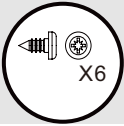
2

14

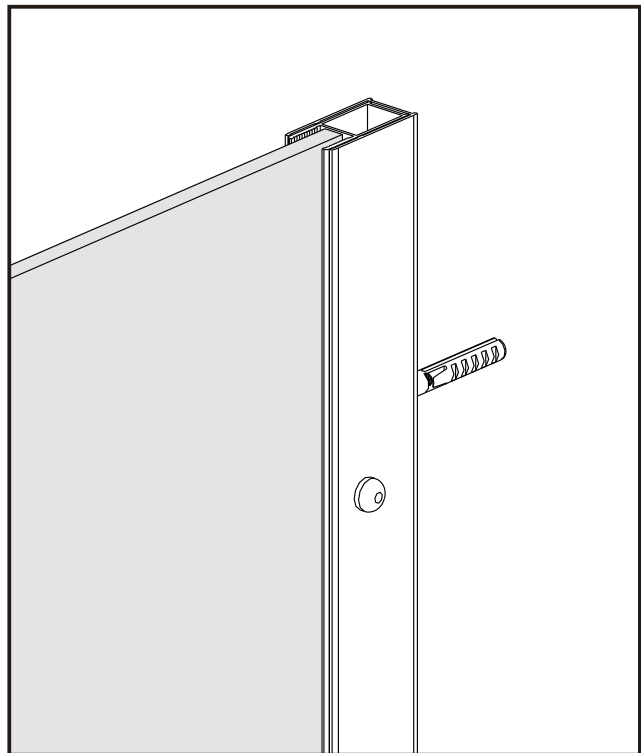
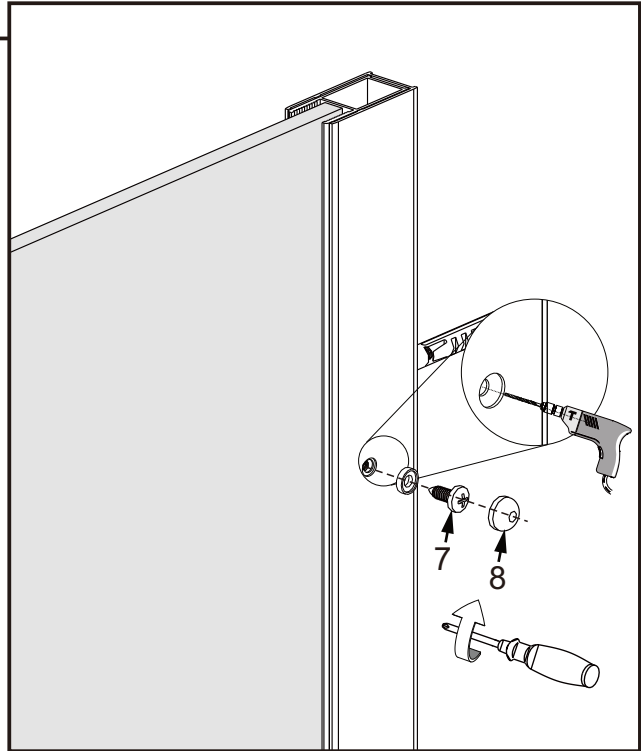
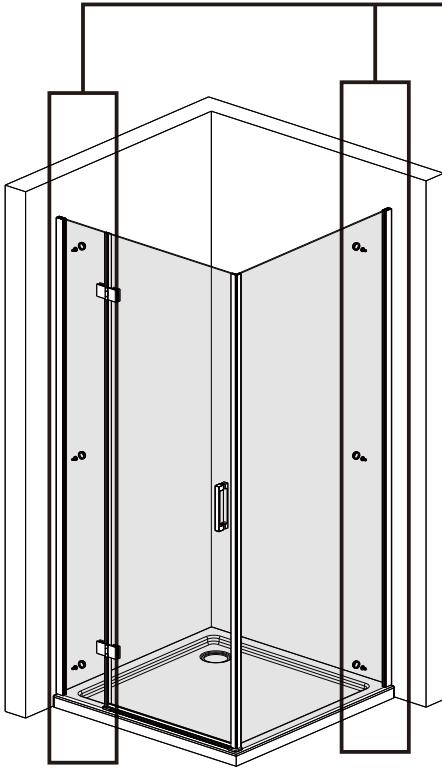


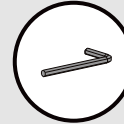
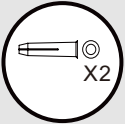
4



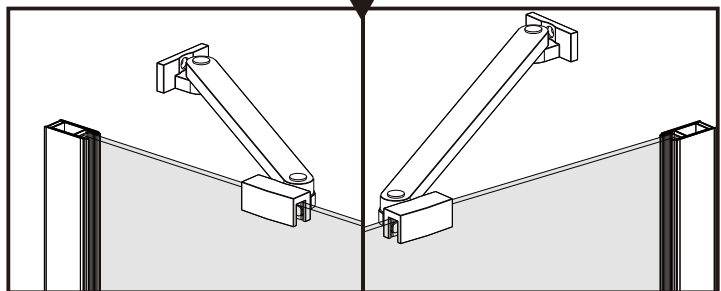
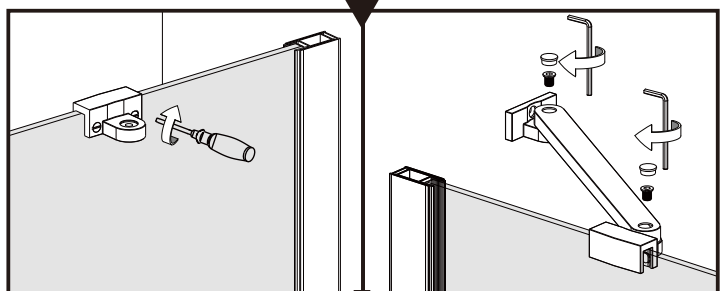
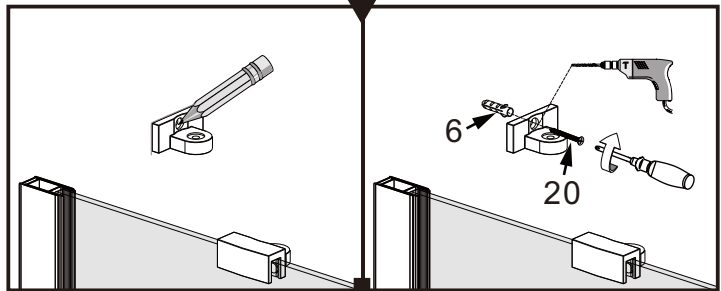
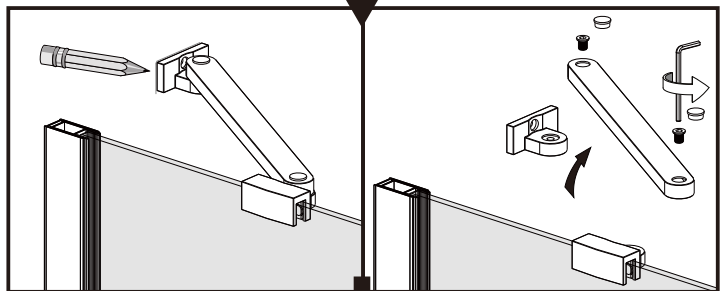
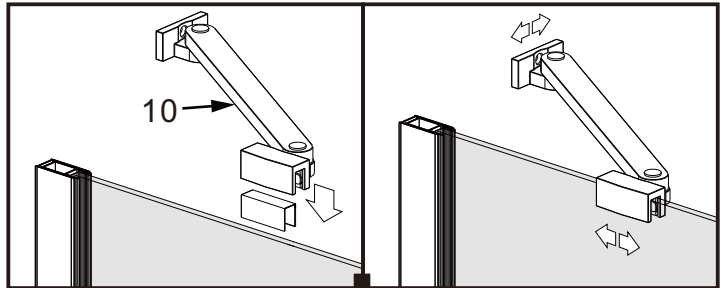
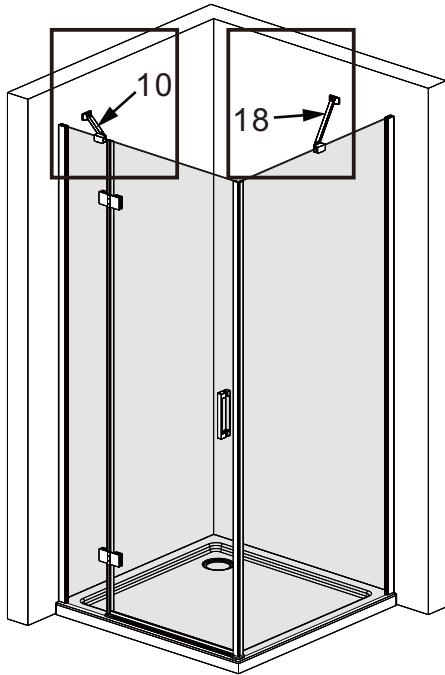


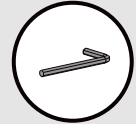
5



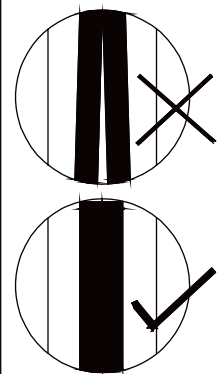
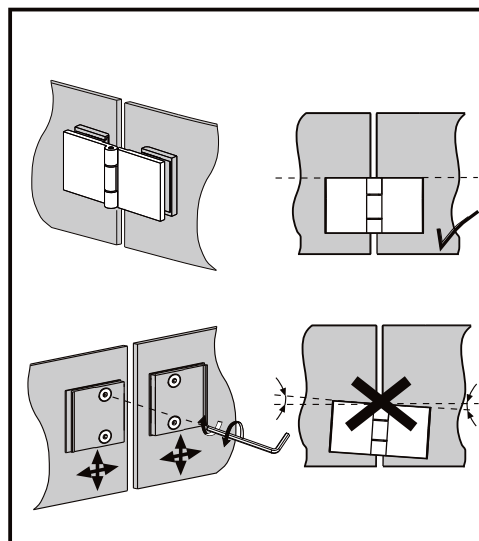
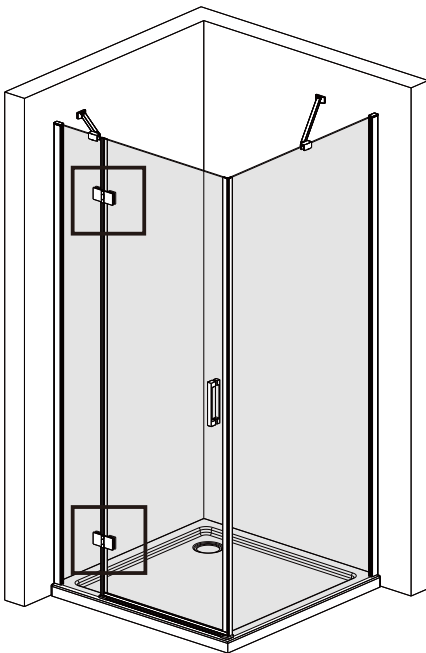
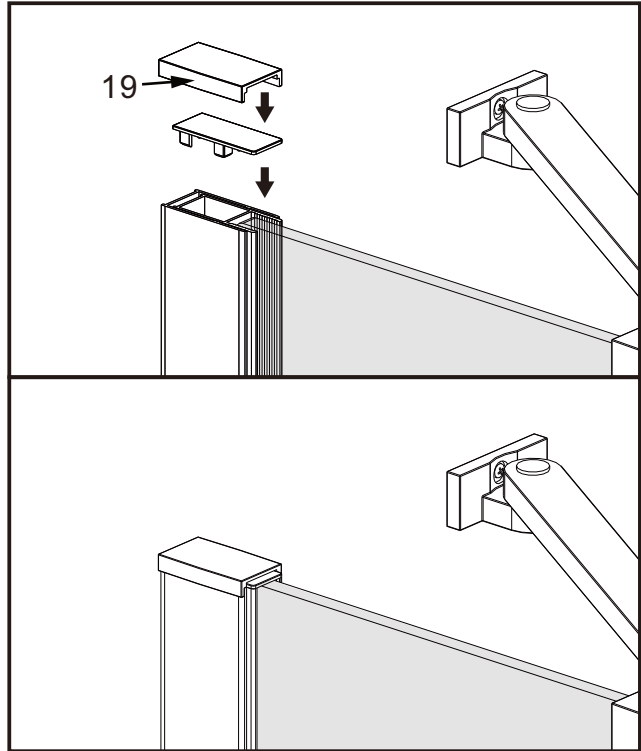
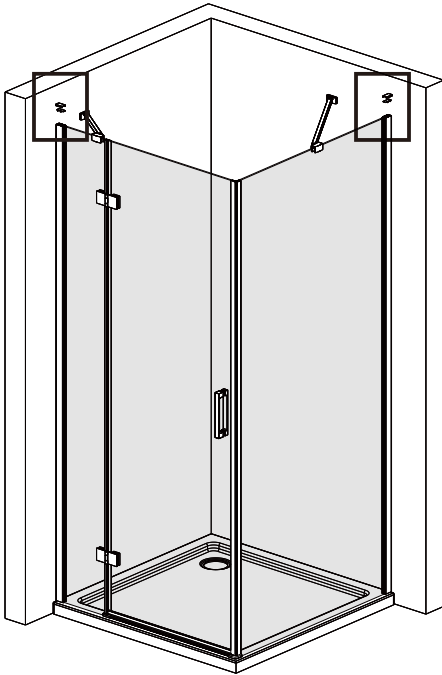


6



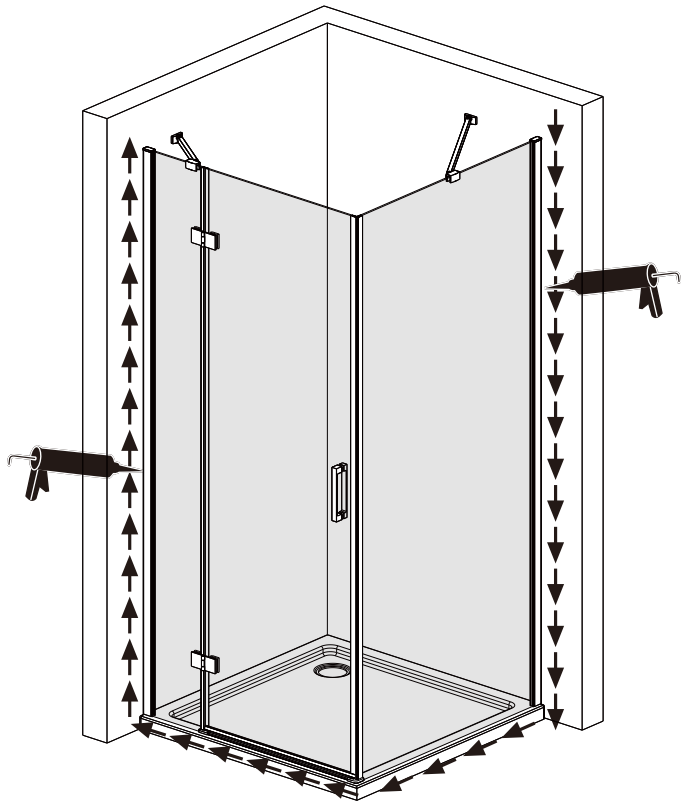


7





8



Aqualux Products Ltd.

Brookfield
Harrowbrook Industrial Estate
Hinckley
LE10 3DU
United Kingdom